

XMM904

INSTRUCTION MANUAL

Please read this manual carefully

If you have any questions along the way, just message to us. We're ready to help!



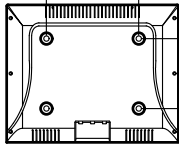
CAUTION: PLEASE READ ENTIRE MANUAL PRIOR TO USE AND SAVE THESE INSTRUCTIONS

Before getting started, let's check below lists to make sure it is just right for you!

Check your TV VESA is within Min and Max size

1

MAX:400mm/15.75"
(MIN:75mm/2.95")



MAX:400mm/15.75"
(MIN:75mm/2.95")

No? This mount is NOT compatible.

Yes? Perfect !

Does your TV (including accessories) weigh MORE than 80 lbs. (36.4 kg)?

2



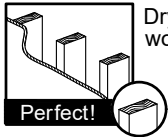
No? Perfect – you may continue.

Yes? This mount is NOT compatible.

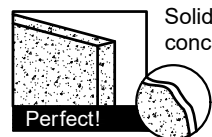
CAUTION: DO NOT exceed the maximum weight indicated. This mounting system is intended for use only with the maximum weights indicated. Use with products heavier than the maximum weights indicated may result in collapse of the mount and its accessories, causing possible injury.

What is your wall made of?

3



Drywall with wood studs?



Solid concrete

Do you have all the tools needed? (NOT INCLUDE)

4



Tape Measure



Pencil



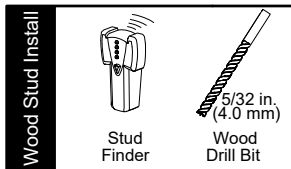
Screw driver



Electric Drill



Socket Wrench



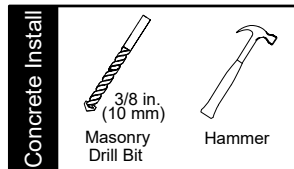
Wood Stud Install



Stud Finder



5/32 in.
(4.0 mm)
Wood Drill Bit



Concrete Install



3/8 in.
(10 mm)
Masonry Drill Bit



Hammer

CAUTION


5

- This product is designed for use in wood stud, solid concrete walls - DO NOT install into drywall alone
- The wall must be capable of supporting five times the weight of the TV and mount itself
- Do not use this product for any purpose not explicitly specified by manufacturer
- Manufacturer is not responsible for damage or injury caused by incorrect assembly or use

STEP 1 Attach TV Plate to TV

⚠ WARNING: This product contains small items that could be a choking hazard if swallowed. Before starting assembly, verify all parts are included and undamaged. If any parts are missing or damaged, do not return the damaged item to your dealer; Please contact the seller via Amazon "Orders".

Never use damaged parts!

 **NOTE:** Not all hardware included will be used.

Parts and Hardware

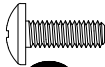
TV Brackets



04 x2

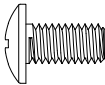
TV Screws

M4x12mm



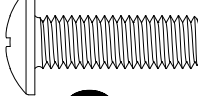
a x4

M6x12mm



b x4

M8x25mm



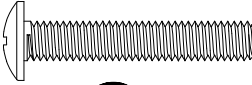
c x4

M4x30mm



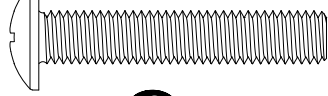
d x4

M6x35mm



e x4

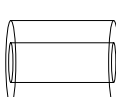
M8x45mm



f x4

Spacers

M8x22mm



g x4

10mm



h x4

2.5mm



i x8

M6x17mm



j x4

Washers

M4



k x4

M6



l x4

Allen Key

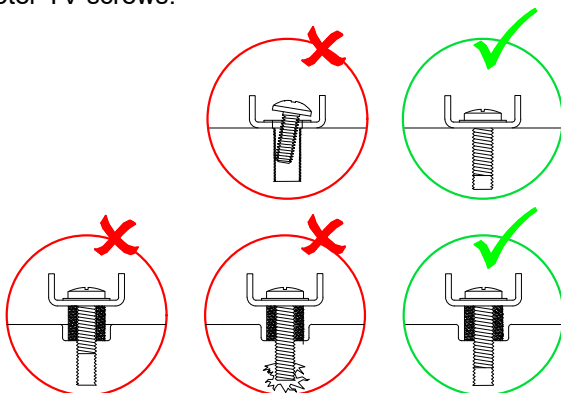
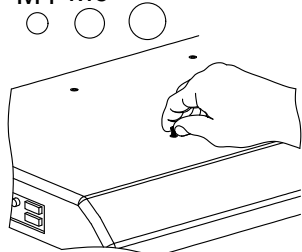


02 x1

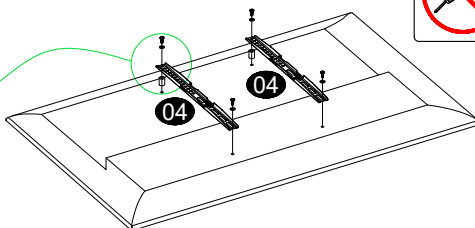
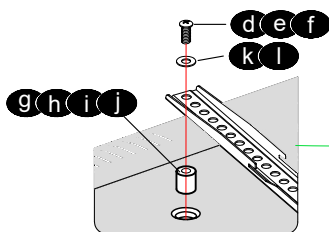
1-1 Select TV Screws

Select the right length and diameter TV screws.

M4 M6 M8



1-2 Need Spacer



Round Back



Cable Interference



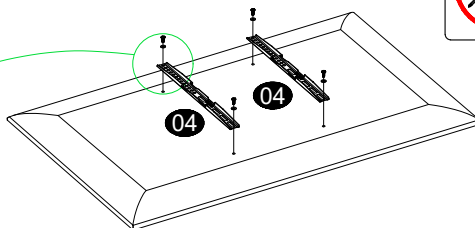
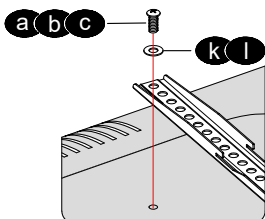
Inset Holes



Long Screw

Tips: If you need to combine M6/M8(c/e/f) screws with 2.5mm spacers(i), you have to remove the inner circle. Washer are not required for M8 screws


1-3 No Need Spacer




Flat Back

Tips: Washer are not required for M8 screws

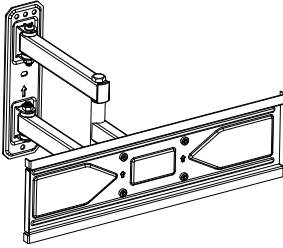
STEP 2 Attach Wall Plate to Wall

 For wood stud installation, follow STEP 2A on PAGE 5

 For concrete installation, follow STEP 2B on PAGE 7

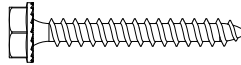
Parts and Hardware

Wall Plate



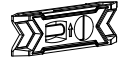
03 x1

Lag Bolt M7x55mm



01 x4

Level x1



STEP 2A Attach Wall Plate to Wall Wood Stud Option

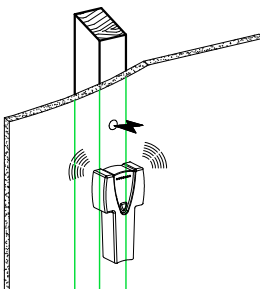


<16mm
(5/8")

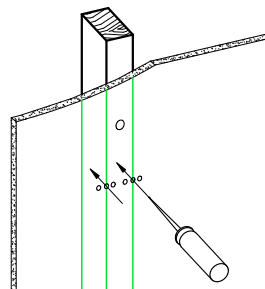
Min. Wood Stud Size:
nominal 2"(51mm)
actual 1 1/2"(38mm)

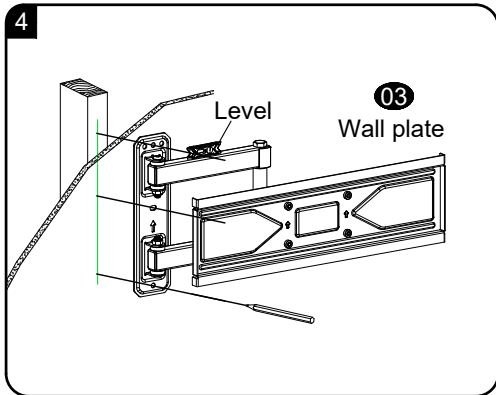
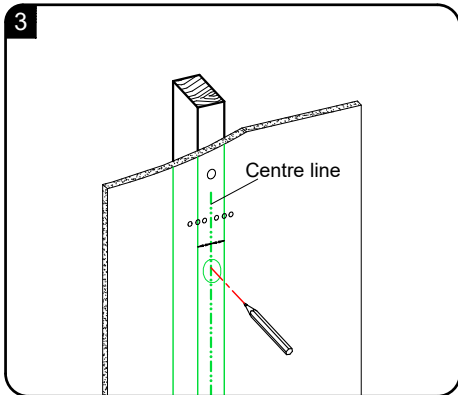
Min. Wood Stud Size:
nominal 4"(102mm)
actual 3 1/2"(89mm)

1



2



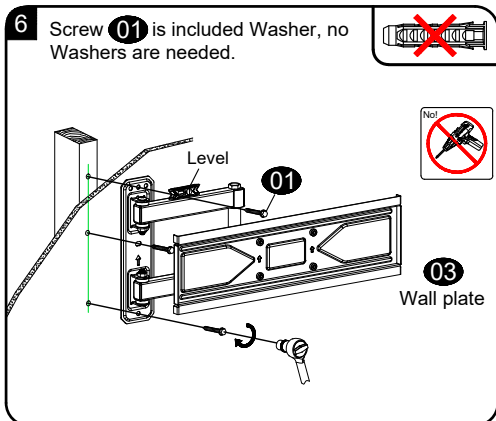
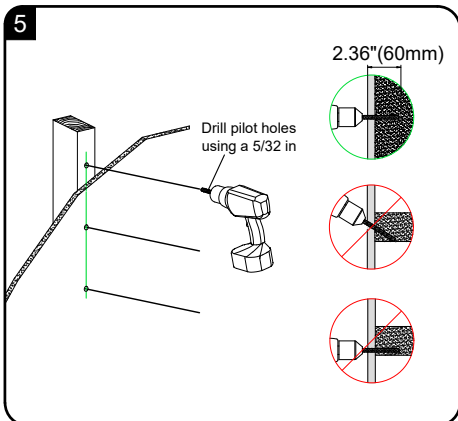


▲ CAUTION: To avoid potential personal injury or property damage:

Install wall plate **03** using three lag bolts **01**. Tighten the lag bolts only until they are pulled firmly against the wall plate.

Improper use could reduce the holding power of the lag bolt.

DO NOT over-tighten the lag bolts.



Go to STEP 3 on PAGE 8.

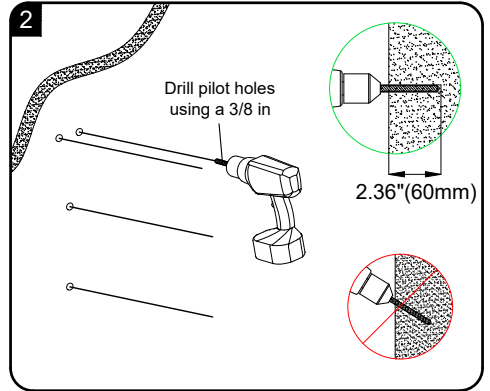
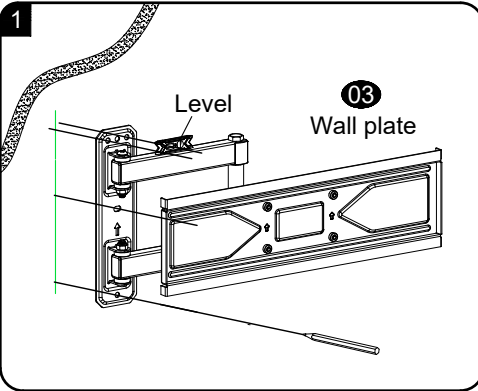
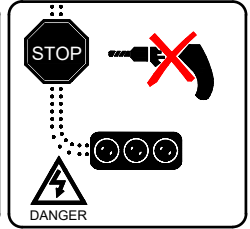
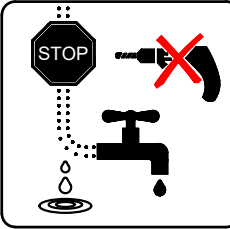
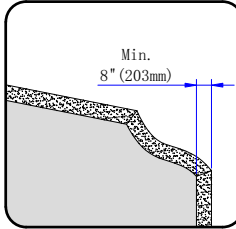
STEP 2B Attach Wall Plate to Solid Concrete Wall

Concrete Wall Anchor (Not included)



Concrete Wall Anchor 4pcs
(Anchor Size: $\phi 10 \times 50 \text{mm}$)

Please contact the seller via Amazon "Orders" and message to us to have these additional pieces shipped directly to you.

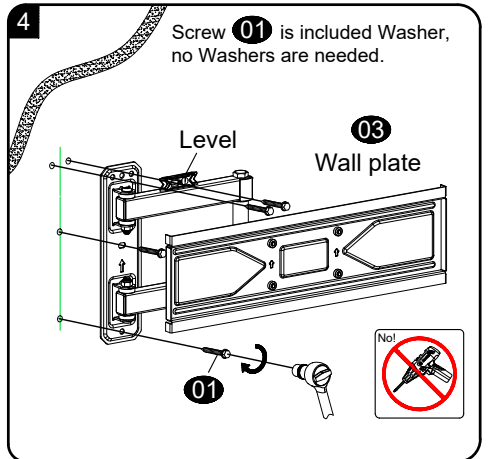
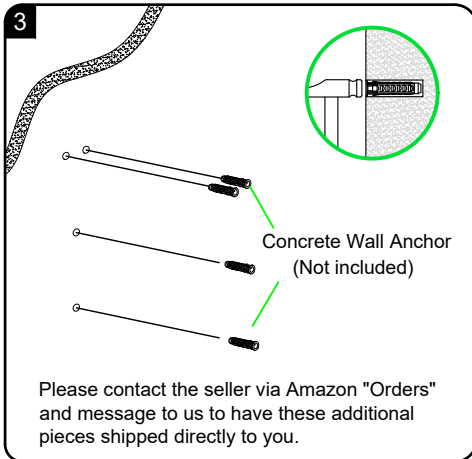


▲ CAUTION: To avoid potential personal injury or property damage:

Insert wall plate **03** using four lag bolts **01**. Tighten the lag bolts only until they are pulled firmly against the wall plate.

Improper use could reduce the holding power of the lag bolt.

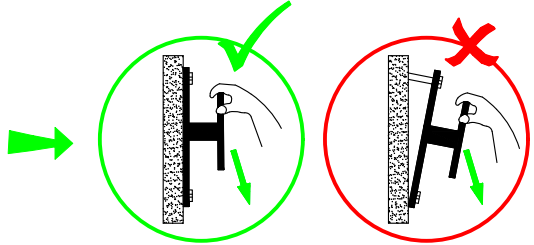
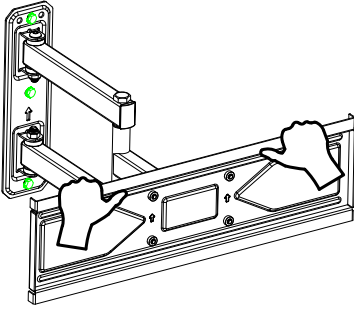
DO NOT over-tighten the lag bolts.



STEP 3 Hang and Secure TV to Wall Plate

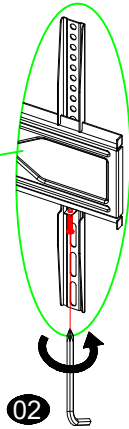
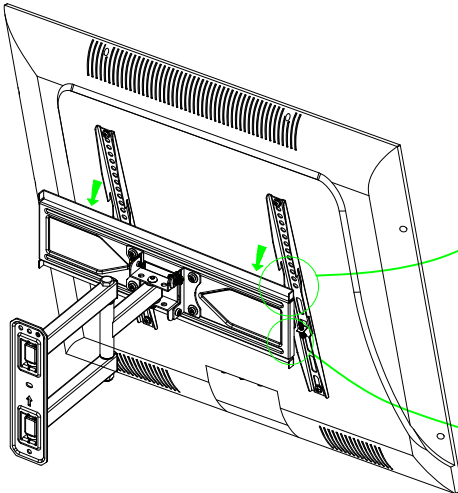
3-1 Wall Plate installation Integrity Test

Before hanging TV, please try to pull the mount to make sure that it has been assembled on the wall tightly.

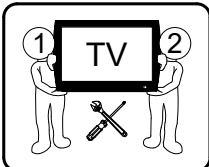
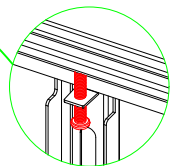


80 LBS (36.4 kg)

3-2 Hang and Secure TV to Wall Plate



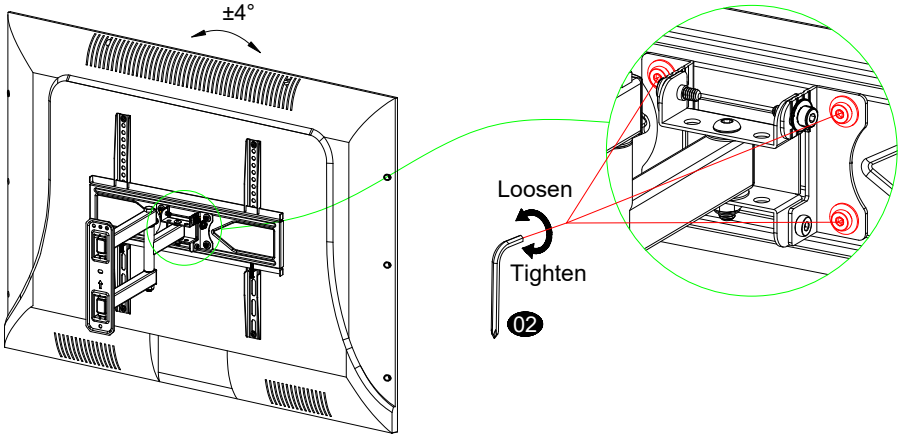
02



STEP 4 Adjustments

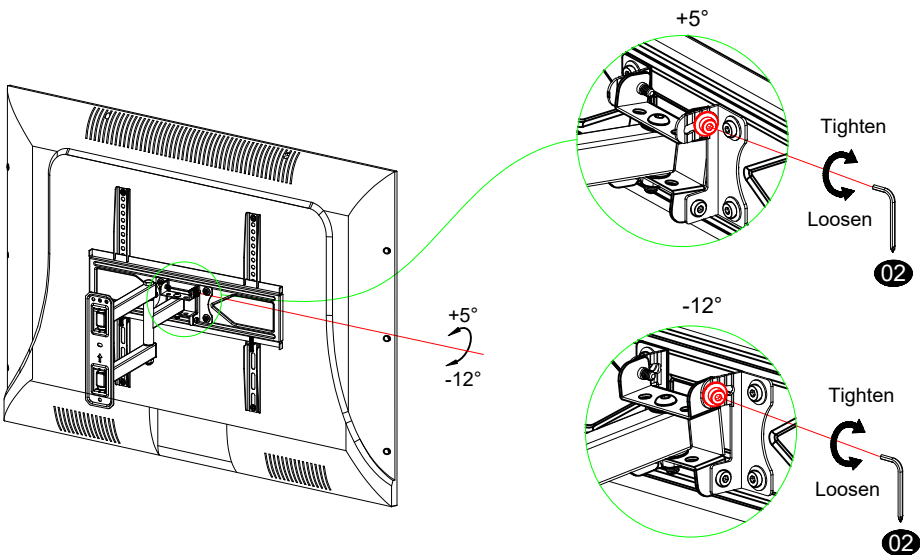
4-1 TV leveling adjustment ($\pm 4^\circ$):

Loosen 4 leveling bolts on the rear of TV plate by maximum 2 turns, adjust to level, and retighten to secure.



4-2 Tilting angle adjustment ($+5^\circ/-12^\circ$):

Pull TV to your desired angle then fasten 2 tilting bolts with Allen key **02**.



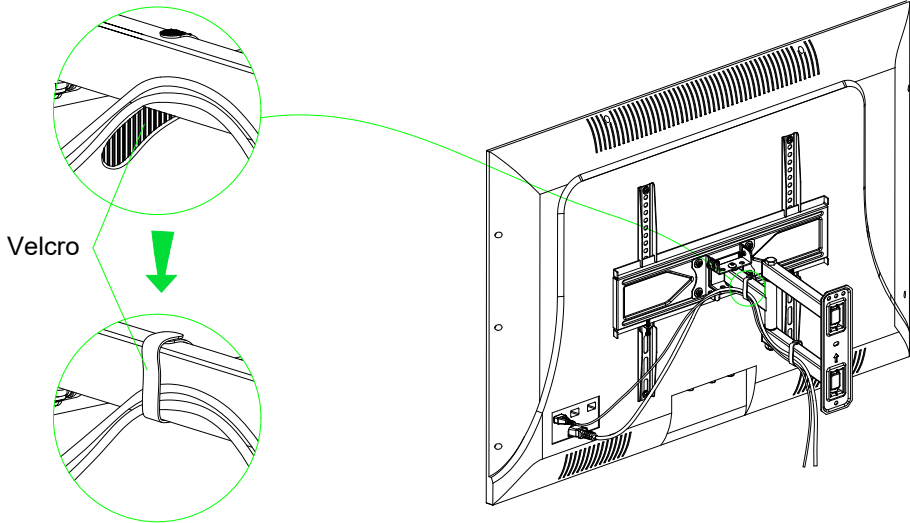
Hardware

Velcro x3



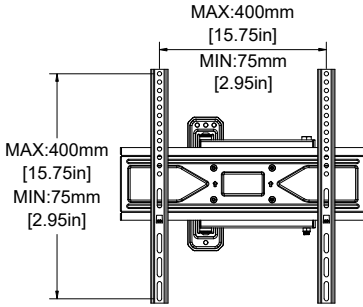
4-3 Cables manage:

Manage TV cables orderly and guide them through the velcros.

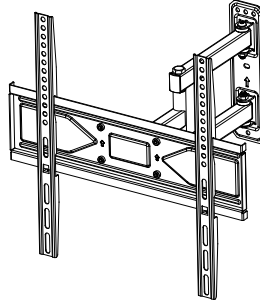


Dimensions

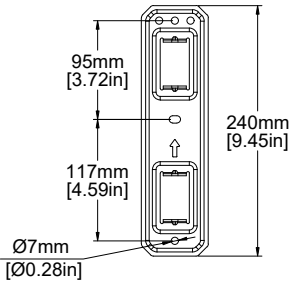
TV INTERFACE



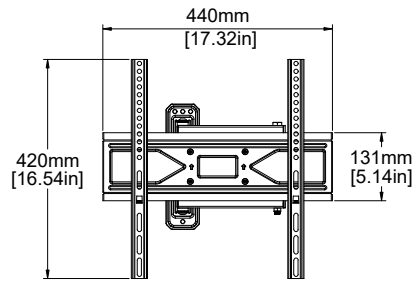
3-D



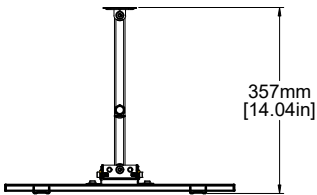
WAND PLATTE



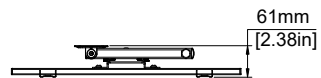
FULLY ASSEMBLED MOUNT



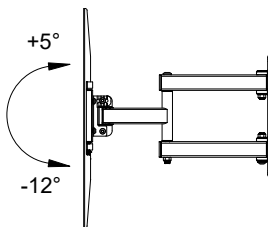
TOP VIEW - EXTENDED



TOP VIEW - RETRACTED



SIDE VIEW - EXTENDED



SIDE VIEW - EXTENDED

