

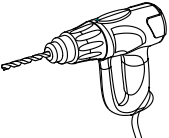
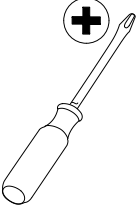


# WAS501 INSTRUCTION MANUAL

If you have any questions along the way, just give us a call  
1-800-460-0956 or mail to [customerservice@x-mount.com](mailto:customerservice@x-mount.com).  
We're ready to help!

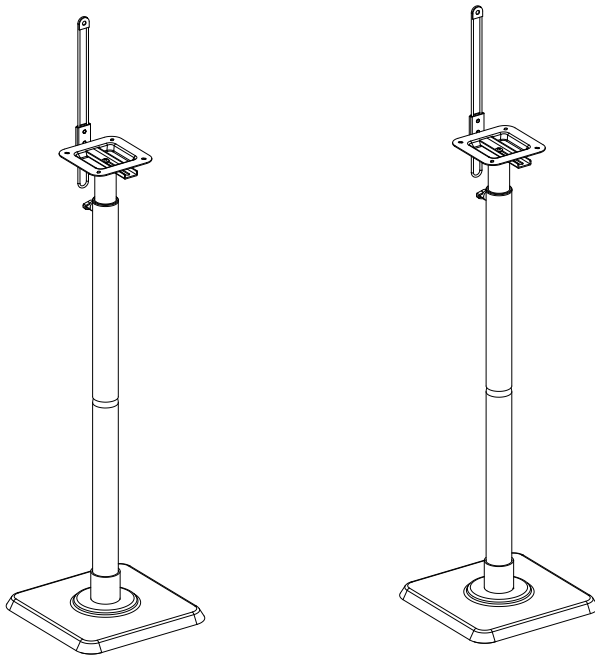
**⚠ CAUTION: PLEASE READ ENTIRE MANUAL PRIOR TO USE AND SAVE THESE INSTRUCTIONS**

Before getting started, let's check below lists to make sure it is just right for you!

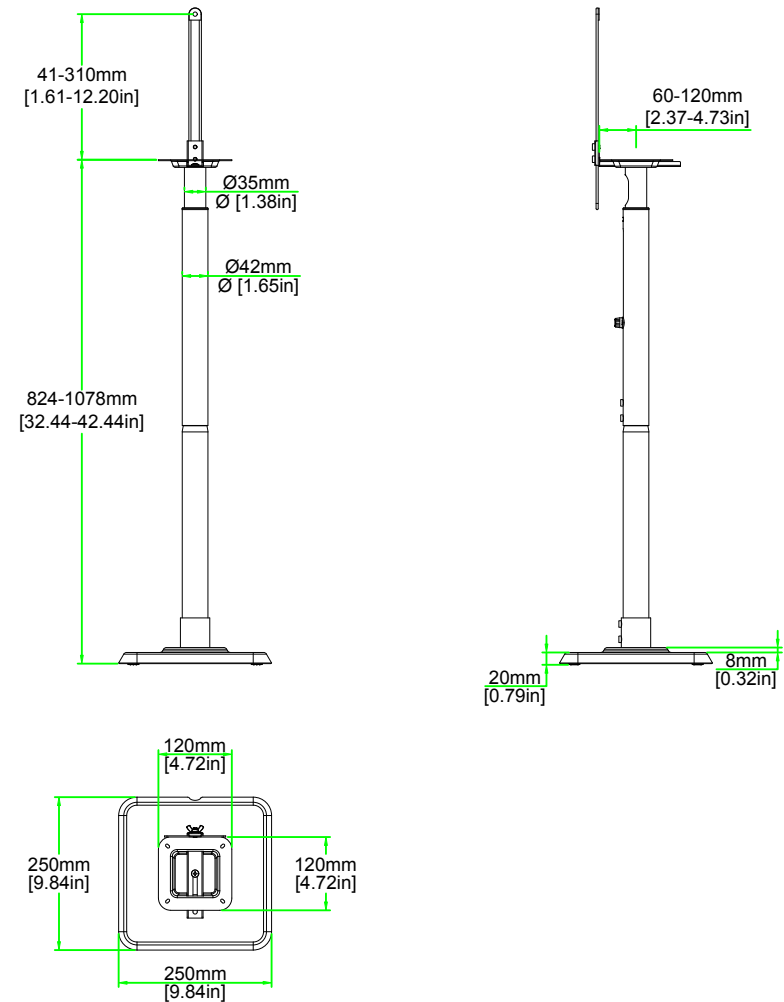
<p><b>1</b></p> <p>Does your speaker (including accessories) weigh MORE than 11 lbs. (5 kg)?</p>	<p></p> <p>No? Perfect – you may continue. Yes? This mount is NOT compatible.</p> <p><b>⚠ CAUTION:</b> DO NOT exceed the maximum weight indicated. This mounting system is intended for use only with the maximum weights indicated. Use with products heavier than the maximum weights indicated may result in collapse of the mount and its accessories, causing possible injury.</p>
<p><b>2</b></p> <p>Do you have all the tools needed? (NOT INCLUDE)</p>	<p> Open-end wrench</p> <p> Electrodrill</p> <p> Screwdriver</p> <p>Please read this instruction carefully before installation. If you do not understand these instructions or have doubts about the safety of the installation, assembly or use of this product, please feel free to contact Customer Service:</p> <p>Call Customer Service: 1-800-460-0956</p>
<p><b>⚠ CAUTION</b></p> <p><b>3</b></p>	<ul style="list-style-type: none"><li>• Do not use this product for any purpose not explicitly specified by manufacturer</li><li>• Manufacturer is not responsible for damage or injury caused by incorrect assembly or use</li></ul>

# Dimensions

3-D



Product dimensions



# Parts and Hardware

**⚠ WARNING:** This product contains small items that could be a choking hazard if swallowed. Before starting assembly, verify all parts are included and undamaged. If any parts are missing or damaged, do not return the damaged item to your dealer; contact Customer Service.

Never use damaged parts!

**📄 NOTE:** Not all hardware included will be used.

## Parts and Hardware for Stand Installation

M6 Carpet Nail



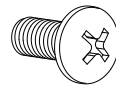
**01** x8

M6 Carpet Nut



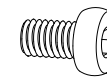
**02** x8

M6x12mm Bolt



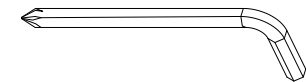
**03** x2

M6x8mm Bolt



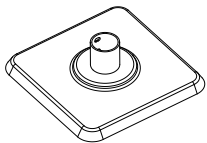
**04** x8

Allen Key



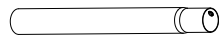
**05** x1

Base



**06** x2

Bottom Tube



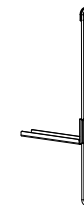
**07** x2

Adjusting Tube



**08** x2

Speaker Bracket



**09** x2

# Hardware for Speaker Installation

## Screws

M4x30mm



**a** x2

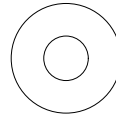
M6x30mm



**b** x2

## Washers

M4



**c** x2

## Key Hole Bolt

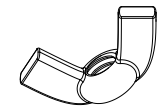
M6X24mm



**d** x2

## Nuts

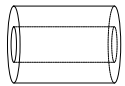
M6X5mm



**e** x2

## Spacers

M6



**f** x2

## Screws

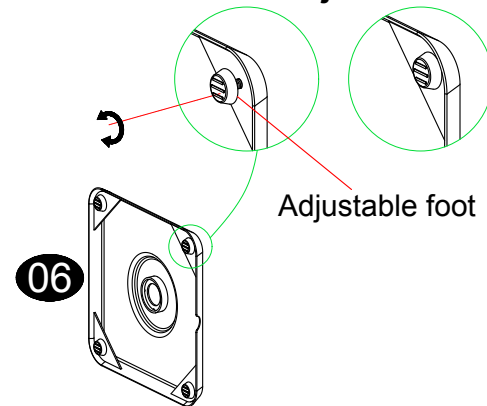
1/4"-20UNC\*12mm



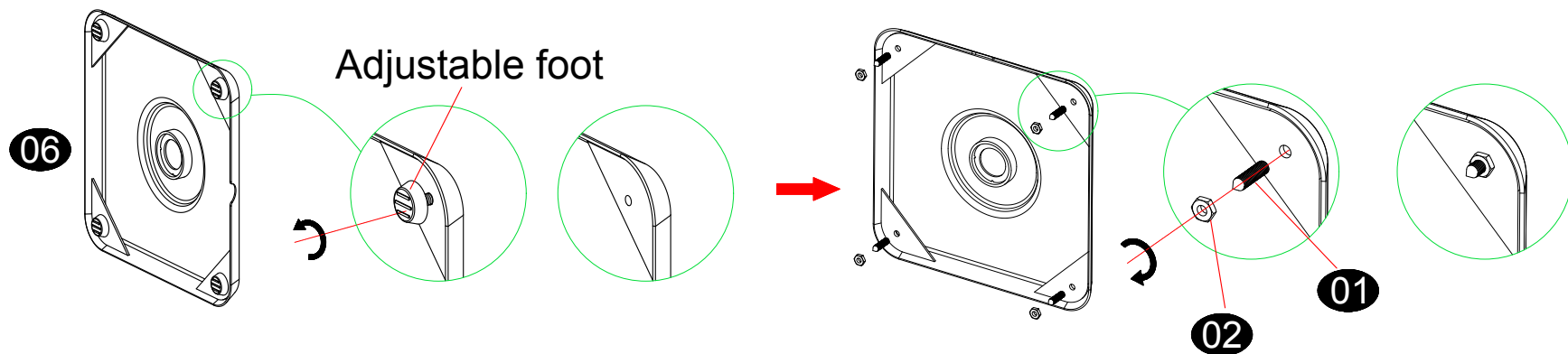
**g** x2

# STEP 1 Choose rubber feet or carpet nails according to your floor type

**Option One:** Rubber feet (pre-assembled on the product) for wooden, cement, tile or other hard floor. Adjust the rubber feet to level/adjust the base (06) if the base is not level.

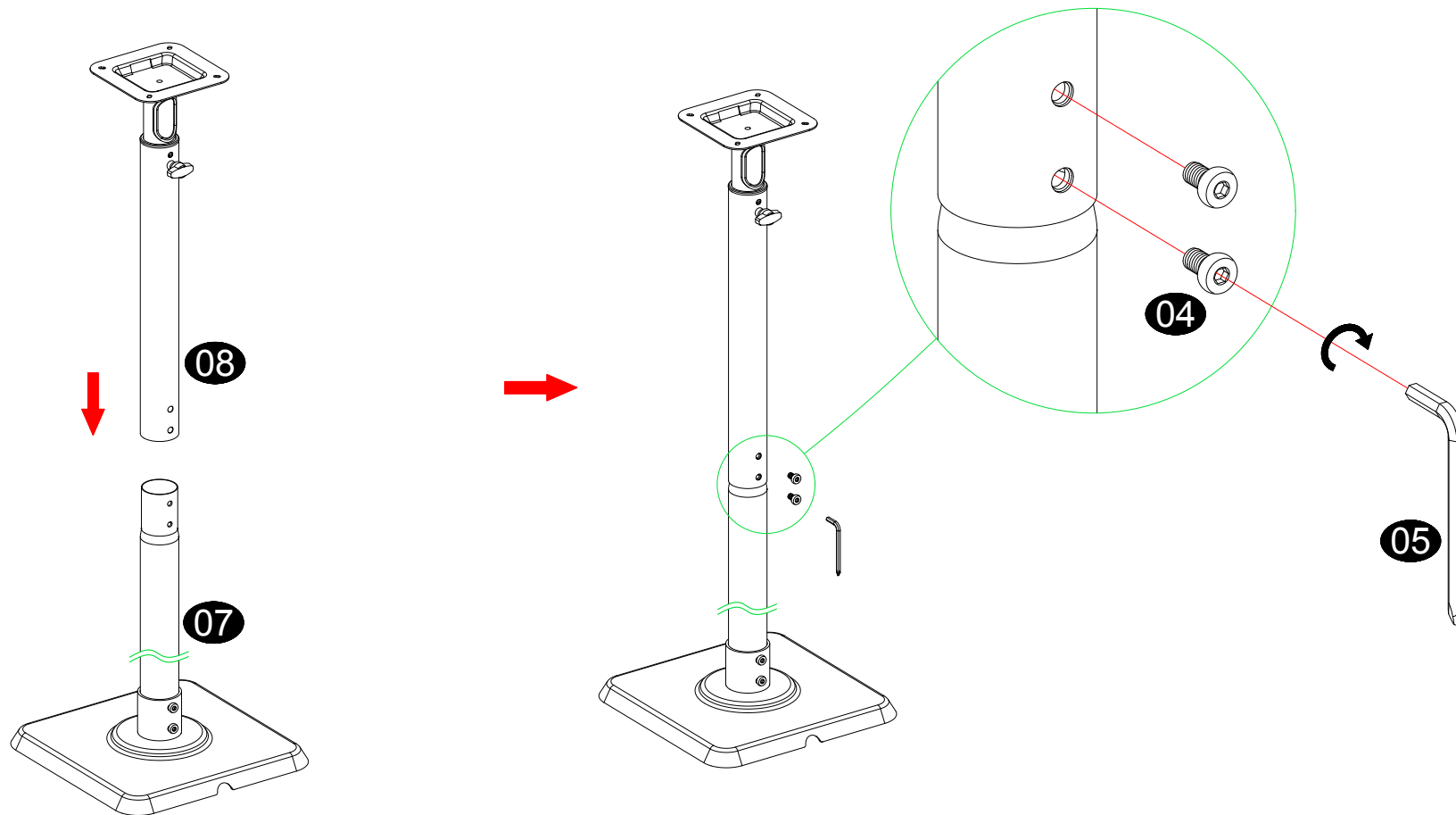


**Option Two:** If the stand is placed on carpet, remove the rubber feet first, install the carpet nail (01) and screw to the end, then use the carpet nut (02) to tighten the nail.



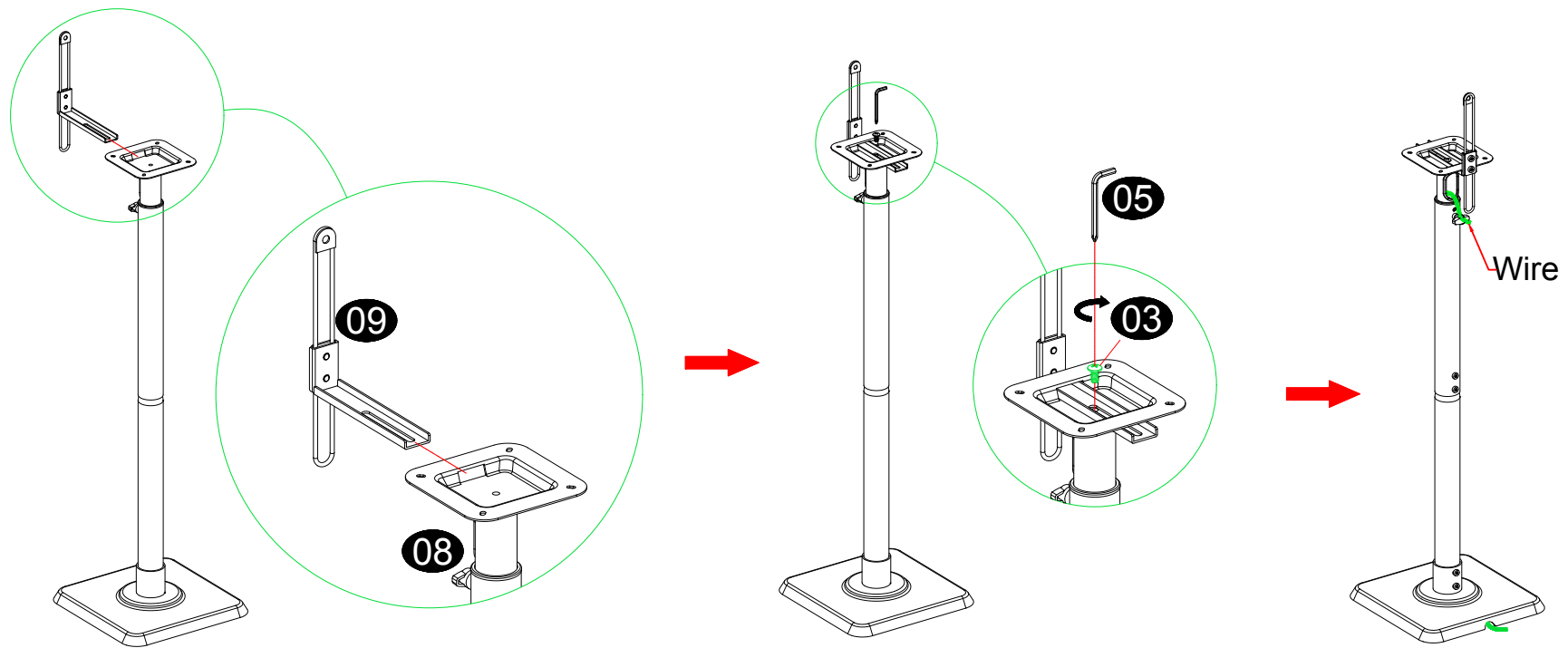
## STEP 2-1 Speaker Stand Assembly

Insert Adjusting tube (08) into bottom tube (07) and use Allen key (05) to fasten bolt (04).



## STEP 2-2 Speaker Stand Assembly

Insert the Speaker attachment unit (09) into the Adjusting tube (08) and fasten it by bolt (03).

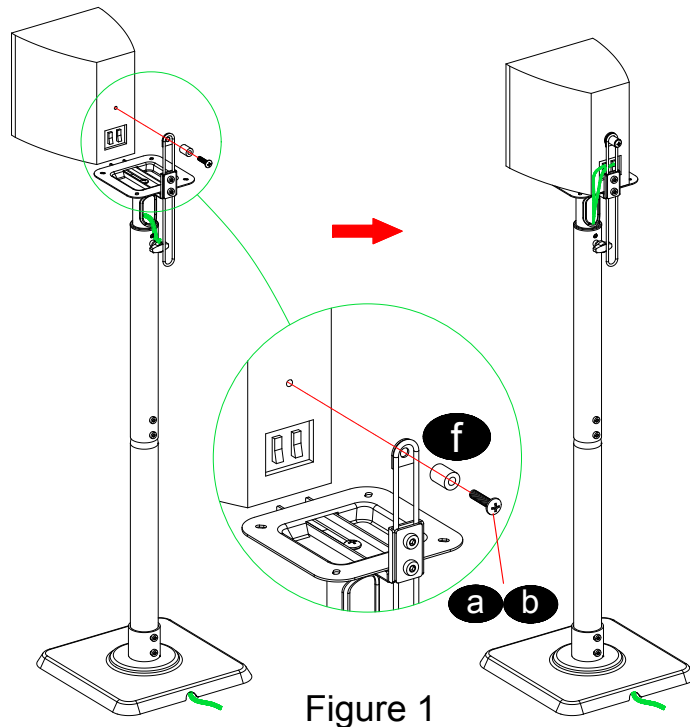




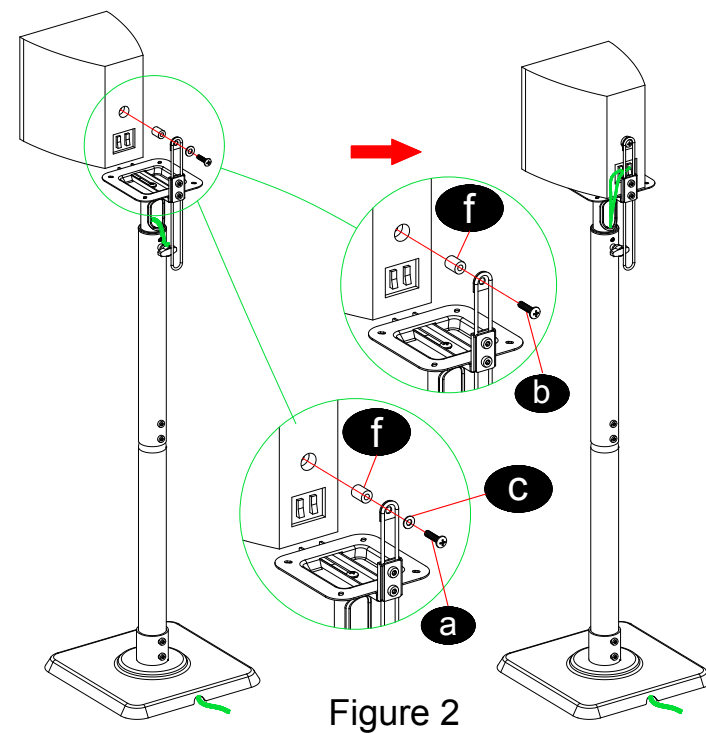
# STEP 3 Attach speaker to assembled stand (Option 1)

**For threaded mounting hole installation** (the distance from mounting hole to the bottom of speaker should not exceed 310mm/12inch).  
According to your speaker's installation hole, choose screw ( **a** **b** ), spacer ( **f** ) and M4 washer ( **c** ) to attach it. Then plug the wires.

For screw hole on flat panel: Use bolt ( **a** **b** ) and spacer ( **f** ) to attach.



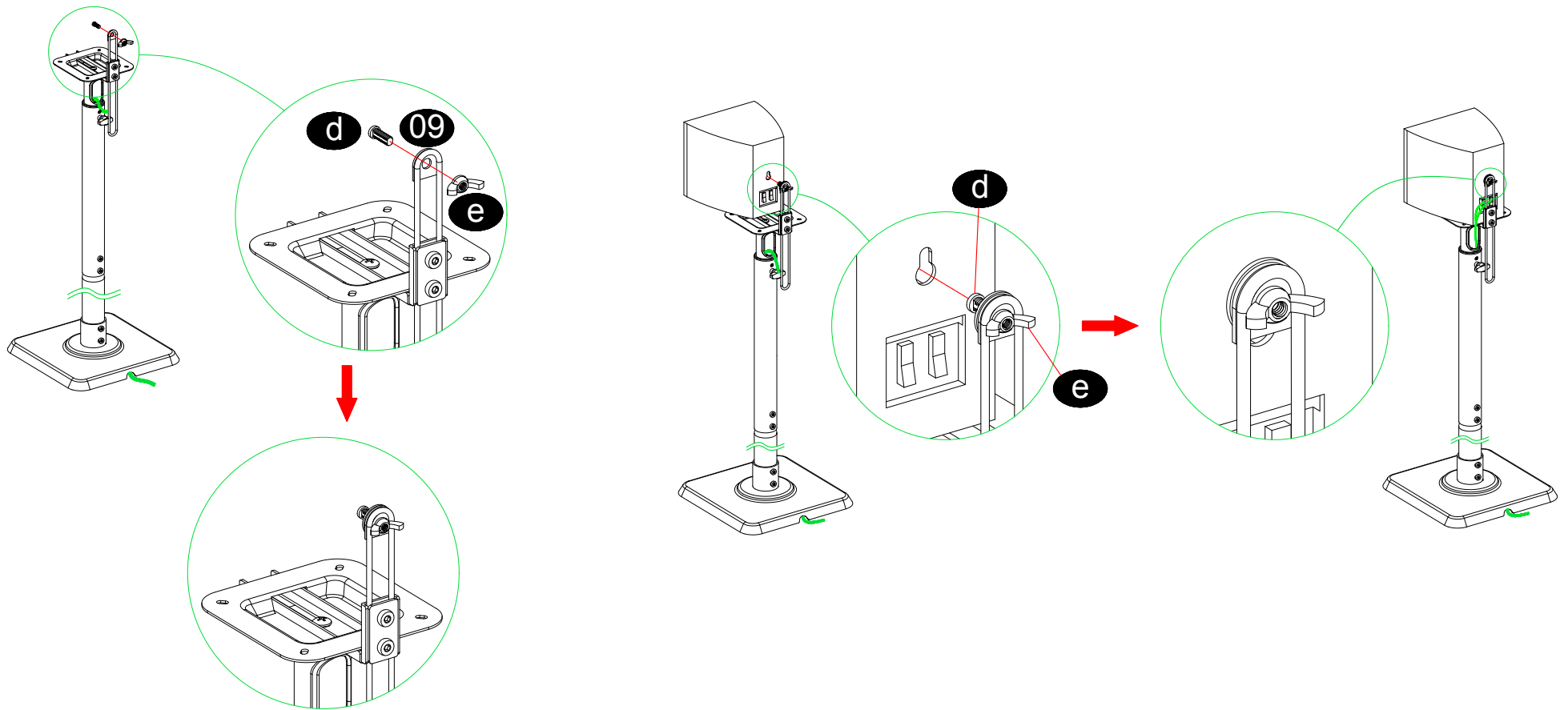
For inset hole: Use bolt ( **a** **b** ) and, washer ( **c** ) and spacer ( **f** ) to attach.



## STEP 3 Attach speaker to assembled stand (Option 2)

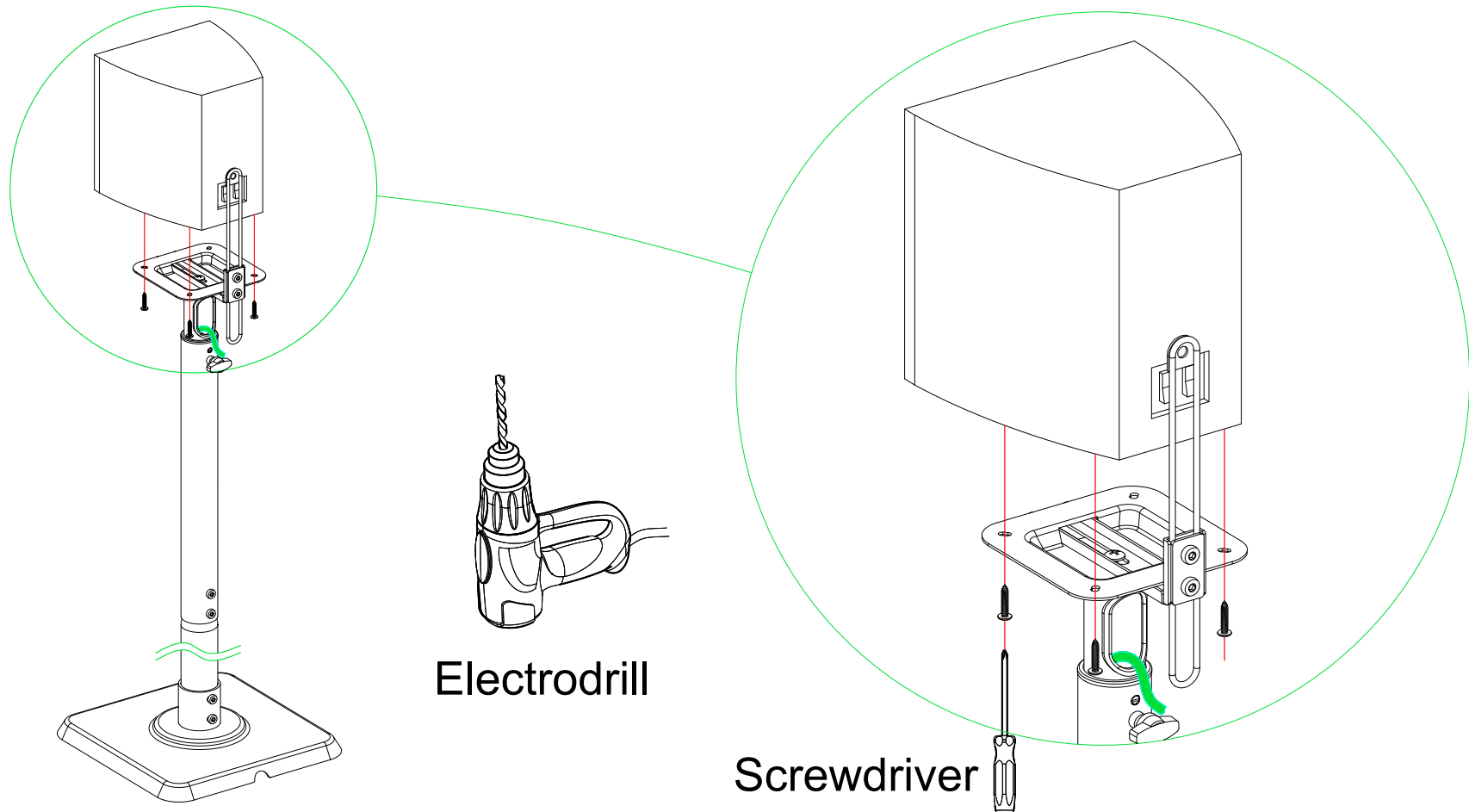
### For keyhole installation:

Pass the keyhole screw (d) through the mounting hole of the speaker bracket (09), and screw on the nut (e) (no need to tighten). Hang speaker onto the keyhole bolt and then tighten the nut (e). You can plug/manage your wires at this moment.



## STEP 4 Speaker with a wooden base and has no mounting holes at all

Use wood screws (NOT provided in the package) to mount the speaker. Mark the installation holes' position on the bottom of the speaker and drill holes, then attach the speaker onto speaker stand.



## STEP 5 Height adjustment

By rotating the plastic nut, the height of the speaker stand can be adjusted from 32.4 inch to 42.4 inch.

