

# XMM908

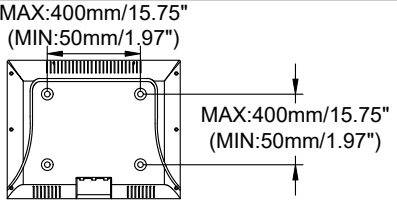

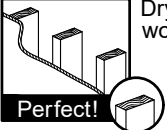
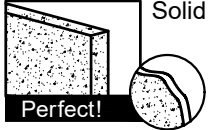
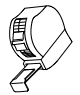



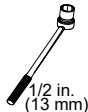




## INSTRUCTION MANUAL

For 32-70" TV

If you have any questions along the way, just message to us. We're ready to help!

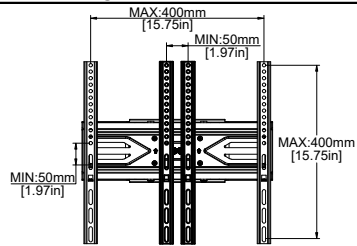
**⚠ CAUTION: PLEASE READ ENTIRE MANUAL PRIOR TO USE AND SAVE THESE INSTRUCTIONS**

Before getting started, let's check below lists to make sure it is just right for you!

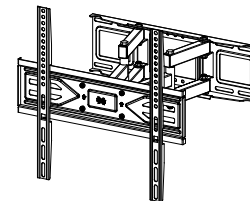
<p>Check your TV VESA is within Min and Max size</p>	<p><b>1</b></p>  <p>MAX: 400mm/15.75" (MIN: 50mm/1.97")</p> <p>MAX: 400mm/15.75" (MIN: 50mm/1.97")</p> <p>No? This mount is NOT compatible. Yes? Perfect !</p>
<p>Does your TV (including accessories) weigh MORE than 99 lbs. (45 kg)?</p>	<p><b>2</b></p>  <p>No? Perfect – you may continue. Yes? This mount is NOT compatible.</p> <div style="border: 1px solid black; padding: 5px;"> <p><b>⚠ CAUTION:</b> DO NOT exceed the maximum weight indicated. This mounting system is intended for use only with the maximum weights indicated. Use with products heavier than the maximum weights indicated may result in collapse of the mount and its accessories, causing possible injury.</p> </div>
<p>What is your wall made of?</p>	<p><b>3</b></p> <div style="display: flex; justify-content: space-between;"> <div style="text-align: center;">  <p>Perfect!</p> </div> <div style="text-align: center;"> <p>Drywall with wood studs?</p> <div style="border: 1px solid black; padding: 5px; width: 80px; margin: 0 auto;"> <p><b>CAUTION:</b> DO NOT install into drywall alone</p> </div> </div> <div style="text-align: center;">  <p>Perfect!</p> </div> <div style="text-align: center;"> <p>Solid concrete</p> <div style="border: 1px solid black; padding: 10px; width: 60px; margin: 0 auto;"> <p style="font-size: 2em; text-align: center;">?</p> </div> <p>Unsure? Mail to us via Amazon.</p> </div> </div>
<p>Do you have all the tools needed? (NOT INCLUDE)</p>	<p><b>4</b></p> <div style="display: flex; justify-content: space-around; align-items: flex-end;"> <div style="text-align: center;">  <p>Tape Measure</p> </div> <div style="text-align: center;">  <p>Pencil</p> </div> <div style="text-align: center;">  <p>Screw driver</p> </div> <div style="text-align: center;">  <p>Electric Drill</p> </div> <div style="text-align: center;">  <p>Socket Wrench 1/2 in. (13 mm)</p> </div> <div style="border: 1px solid black; padding: 5px; width: 80px; text-align: center;"> <p>Wood Stud Install</p>  <p>Stud Finder</p> </div> <div style="border: 1px solid black; padding: 5px; width: 80px; text-align: center;"> <p>Concrete Install</p>  <p>Wood Drill Bit 5/32 in. (4.0 mm)</p> </div> <div style="border: 1px solid black; padding: 5px; width: 80px; text-align: center;"> <p>Concrete Install</p>  <p>Masonry Drill Bit 3/8 in. (10 mm)</p> </div> <div style="text-align: center;">  <p>Hammer</p> </div> </div>
<p>CAUTION</p>	<p><b>5</b></p> <ul style="list-style-type: none"> <li>• This product is designed for use in wood stud, solid concrete walls - DO NOT install into drywall alone</li> <li>• The wall must be capable of supporting five times the weight of the TV and mount itself</li> <li>• Do not use this product for any purpose not explicitly specified by manufacturer</li> <li>• Manufacturer is not responsible for damage or injury caused by incorrect assembly or use</li> </ul>

# Dimensions

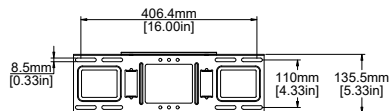
## TV INTERFACE



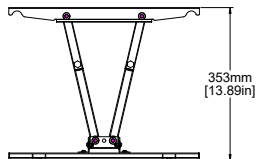
## 3-D



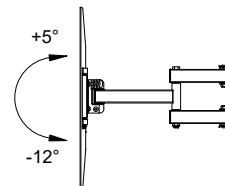
## WALL PLATE



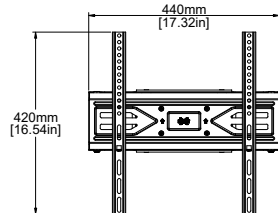
## TOP VIEW - EXTENDED



## SIDE VIEW - EXTENDED



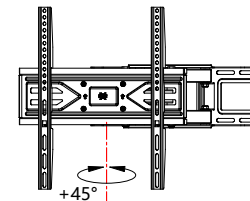
## FULLY ASSEMBLED MOUNT



## TOP VIEW - RETRACTED



## SIDE VIEW - EXTENDED



# Parts and Hardware

**⚠ WARNING:** This product contains small items that could be a choking hazard if swallowed. Before starting assembly, verify all parts are included and undamaged. If any parts are missing or damaged, do not return the damaged item to your dealer; contact Customer Service.

Never use damaged parts!

**📄 NOTE:** Not all hardware included will be used.

## Parts and Hardware for STEP 1

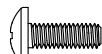
### TV Brackets



**04** x2

### TV Screws

M4x12mm



**a** x4

M4x30mm



**d** x4

M6x12mm



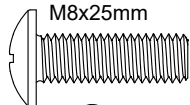
**b** x4

M6x35mm



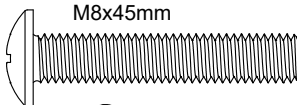
**e** x4

M8x25mm



**c** x4

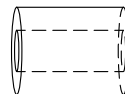
M8x45mm



**f** x4

### Spacers

M8x22mm



**g** x4

10mm



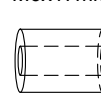
**h** x4

2.5mm



**i** x8

M6x17mm



**j** x4

### Washers

M4



**k** x4

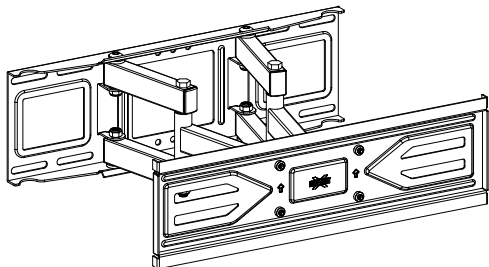
M6



**l** x4

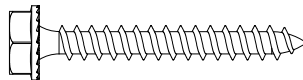
## Parts and Hardware for STEP 2

Wall Plate Unit



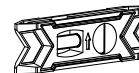
03 x1

Lag Bolt M7x55mm



01 x4

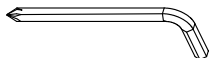
Level x1



Velcro x3

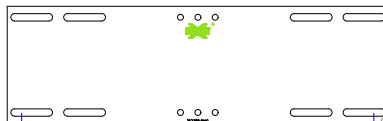


Allen Key



02 x1

Mounting template



Concrete wall anchor (NOT INCLUDED)



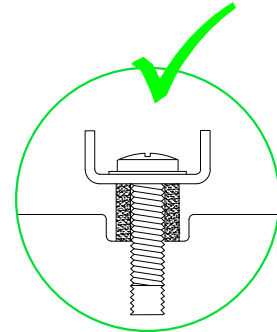
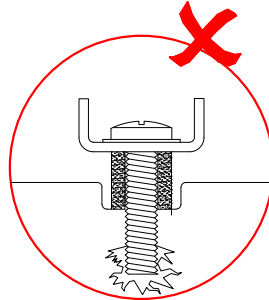
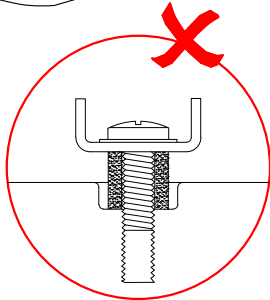
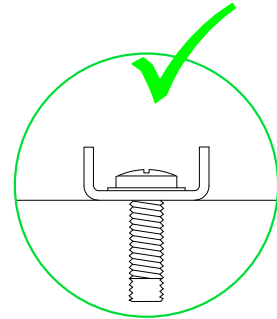
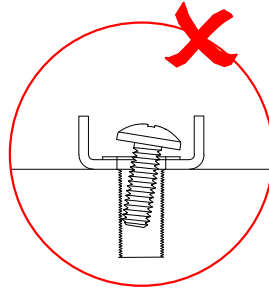
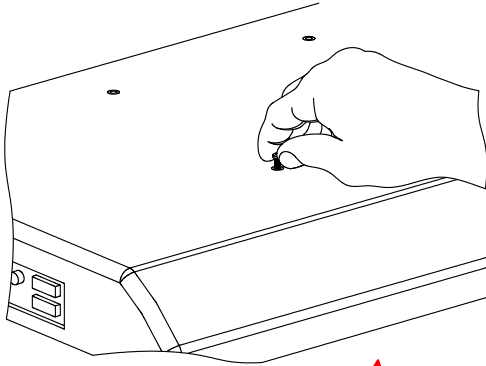

Concrete Wall Anchor  
Ø10x50mm 4pcs

Contact us and message to us to have these additional pieces shipped directly to you.

# STEP 1 Attach Brackets to TV

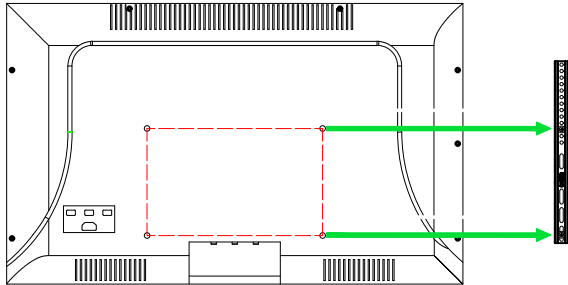
## 1-1 Select TV Screws

M4 M6 M8



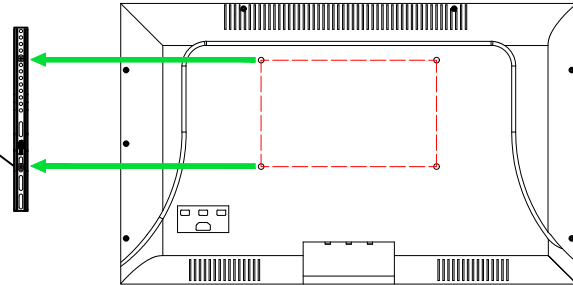
## 1-2 Figure out the suitable position of brackets

### LOW MOUNTING HOLES

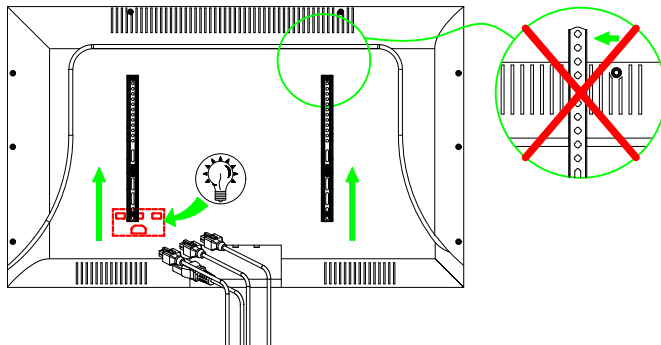


### HIGH MOUNTING HOLES

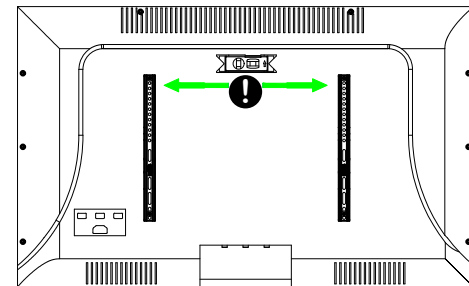
04



 INSTALL UP/DOWN IF NEEDED

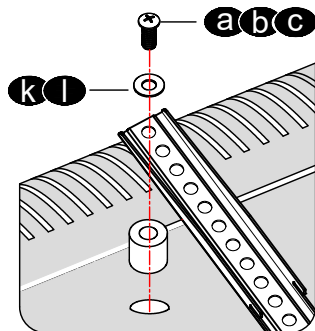


 TV BRACKETS MUST BE LEVEL



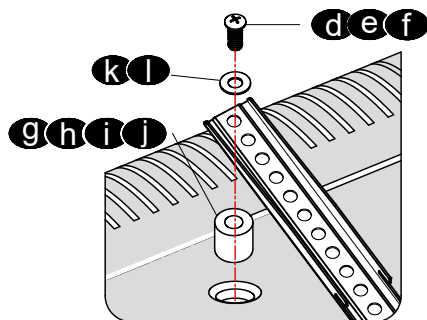
### 1-3 Need Spacer?

**I** No, choose suitable screws and washers.



screw **c** is connected with TV Brackets **04** directly, do not need to be connected with Washers **k l**.

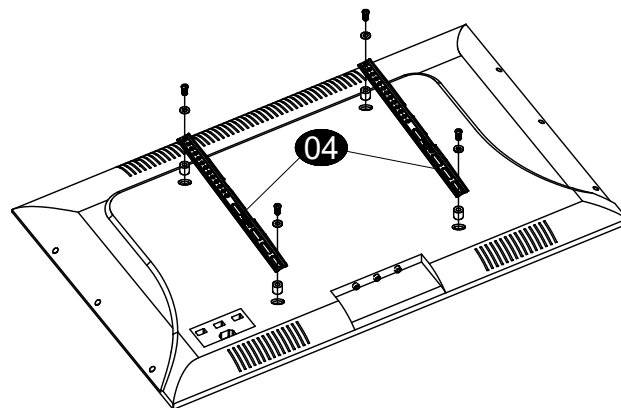
**II** Yes, choose suitable screws, washers and spacers.



screw **f** is connected with TV Brackets **04** directly, do not need to be connected with Washers **k l**.

Tips: If you need to combine M6/M8(c/e/f) screws with 2.5mm spacers(i), you have to remove the inner circle.

### 1-4 Attach the TV Plate



Please ensure that all four screws enter the VESA hole before tightening all screws during installation.

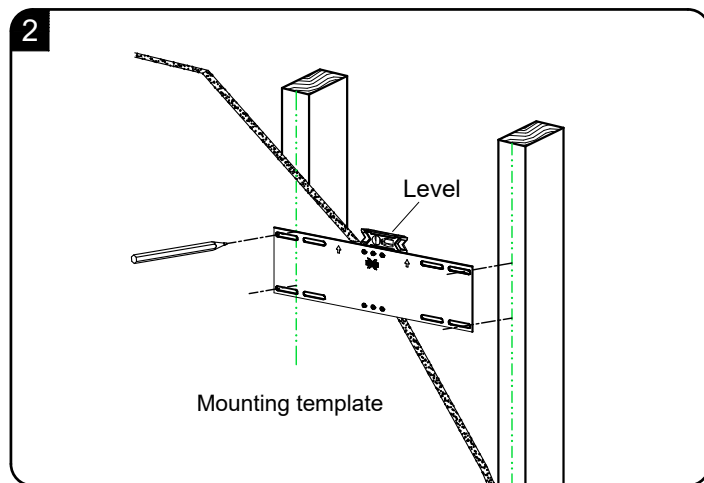
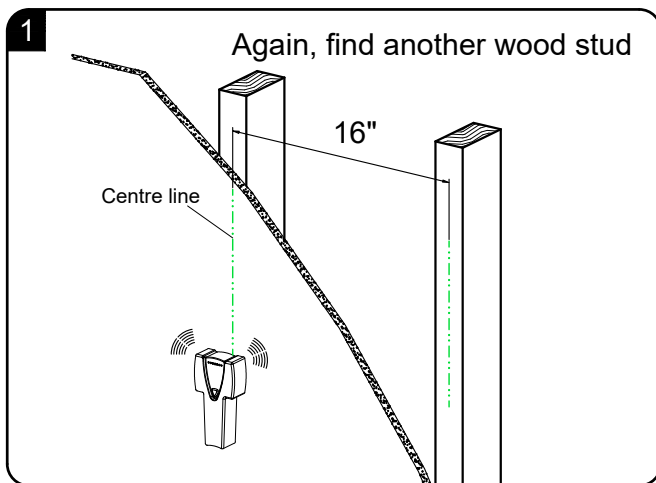


## STEP 2A Attach Wall Plate to Wall Wood Stud Option

⚠ CAUTION: Avoid potential personal injury or property damage!

- Drywall covering the wall, must not exceed 5/8 in. (16 mm)
- Minimum **wood stud** size: common 2 x 4 in. (51 x 102 mm) nominal 1½ x 3½ in. (38 x 89 mm)
- Maximum horizontal space between fasteners: 16 in. (406 mm)
- Stud center must be verified

1. Locate your studs. Verify and mark the center of the stud by finding the stud edges using a thin nail, or an edge to edge stud finder.
2. Position the mounting template at your desired height and line up the holes with your stud center line. Level the wall plate and mark the hole locations.



3. Drill pilot holes using a 5/32 in. (4.0 mm) diameter drill bit.

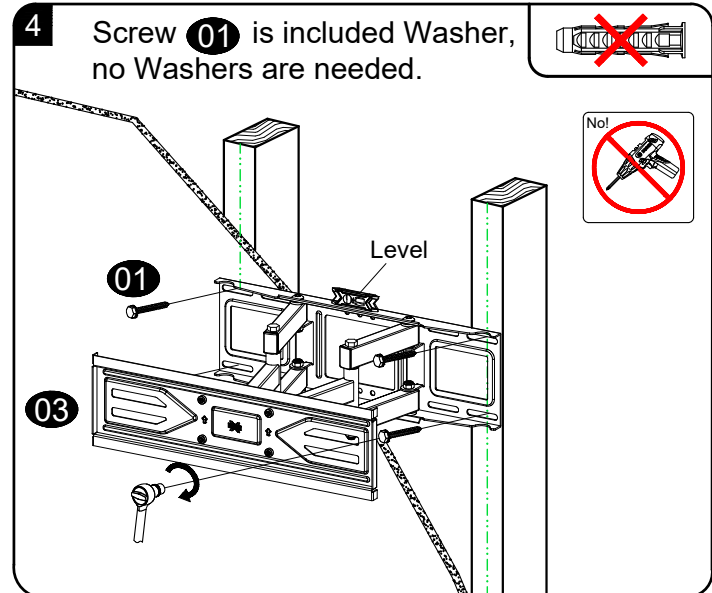
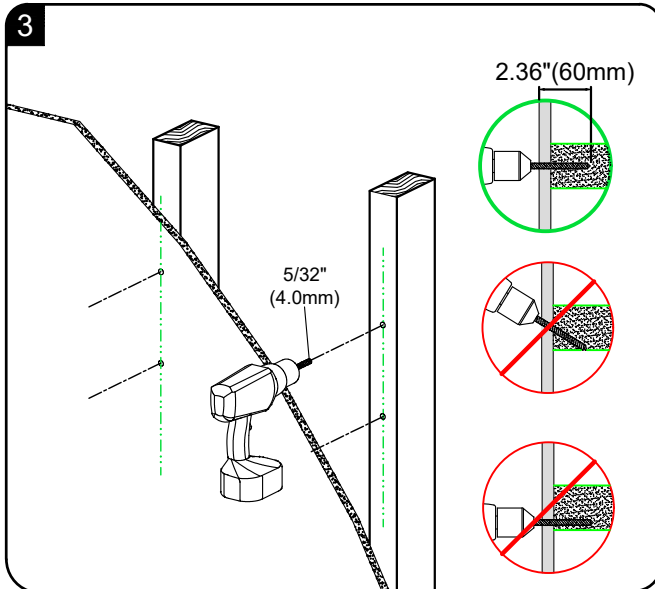
❗ **IMPORTANT:** Pilot holes must be drilled to a depth of 2.36 in. (60mm). Be sure to drill into the center of the studs.

4. Install wall plate **03** using four lag bolts **01**. Tighten the lag bolts only until they are pulled firmly against the wall plate.

⚠ **CAUTION:** Improper use could reduce the holding power of the lag bolt.

**DO NOT over-tighten the lag bolts.**

Go to STEP 3 on PAGE 13.

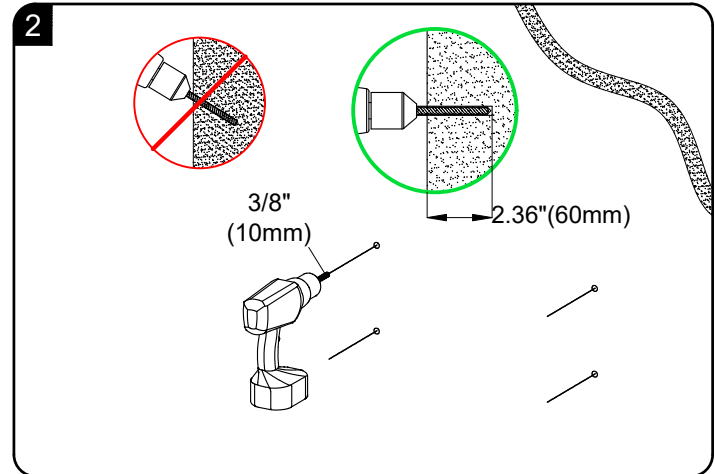
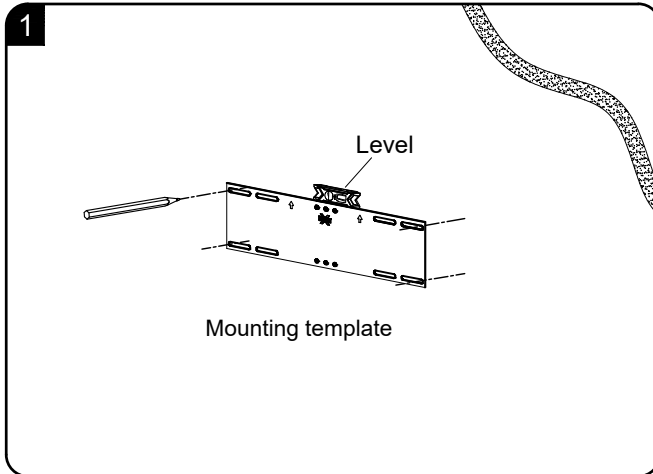


## STEP 2B Attach Wall Plate to Solid Concrete Wall

⚠ **CAUTION:** Avoid potential personal injury or property damage!

- Mount the wall plate assembly **03** directly onto the concrete surface
- Minimum **solid concrete** thickness: 8 in. (203 mm)

1. Position the mounting template on the wall at your desired height. Level the wall plate and mark the hole locations.
2. Drill four pilot holes using a 3/8 in. (10 mm) diameter masonry drill bit.
  - ❗ **IMPORTANT:** Pilot holes must be drilled to a depth of 2.36 in. (60 mm).

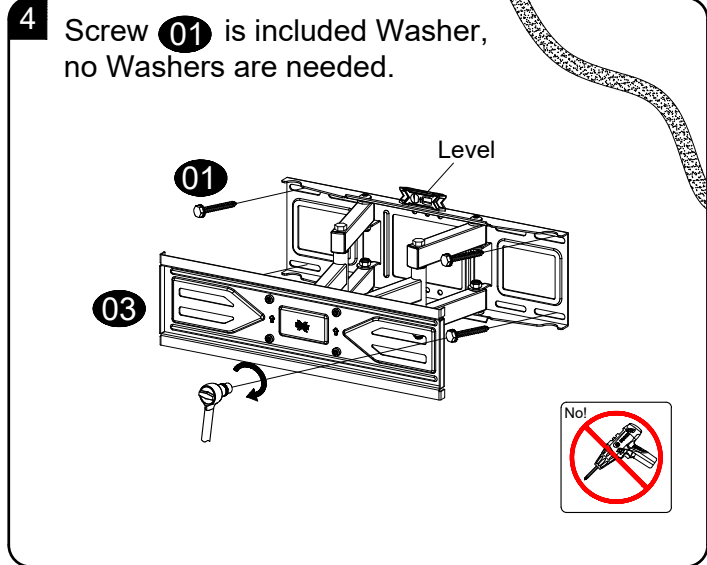
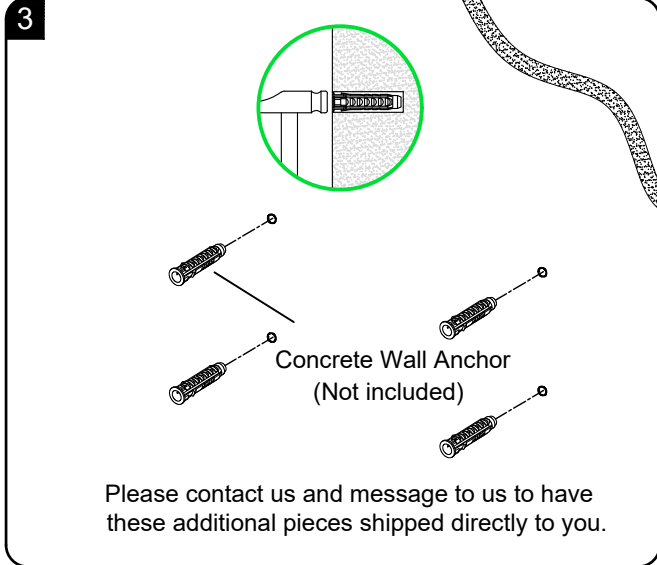


3. Insert four anchors.

▲ **CAUTION:** Be sure the anchors are seated flush with the concrete surface.

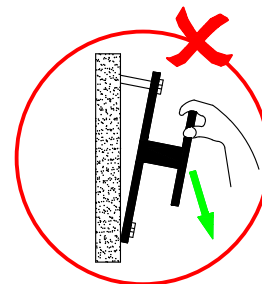
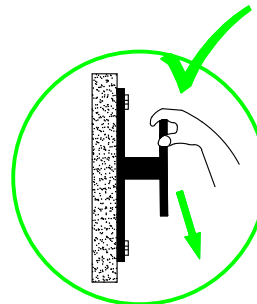
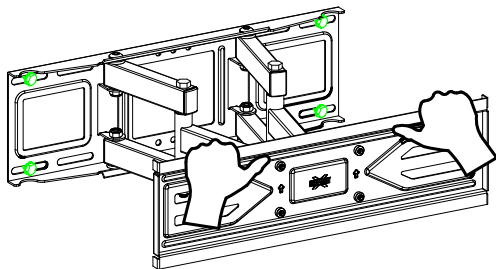
4. Insert wall plate **03** using four lag bolts **01**. Tighten the lag bolts only until they are pulled firmly against the wall plate.

▲ **CAUTION:** Improper use could reduce the holding power of the lag bolt.  
**DO NOT over-tighten the lag bolts.**



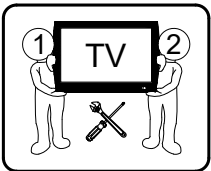
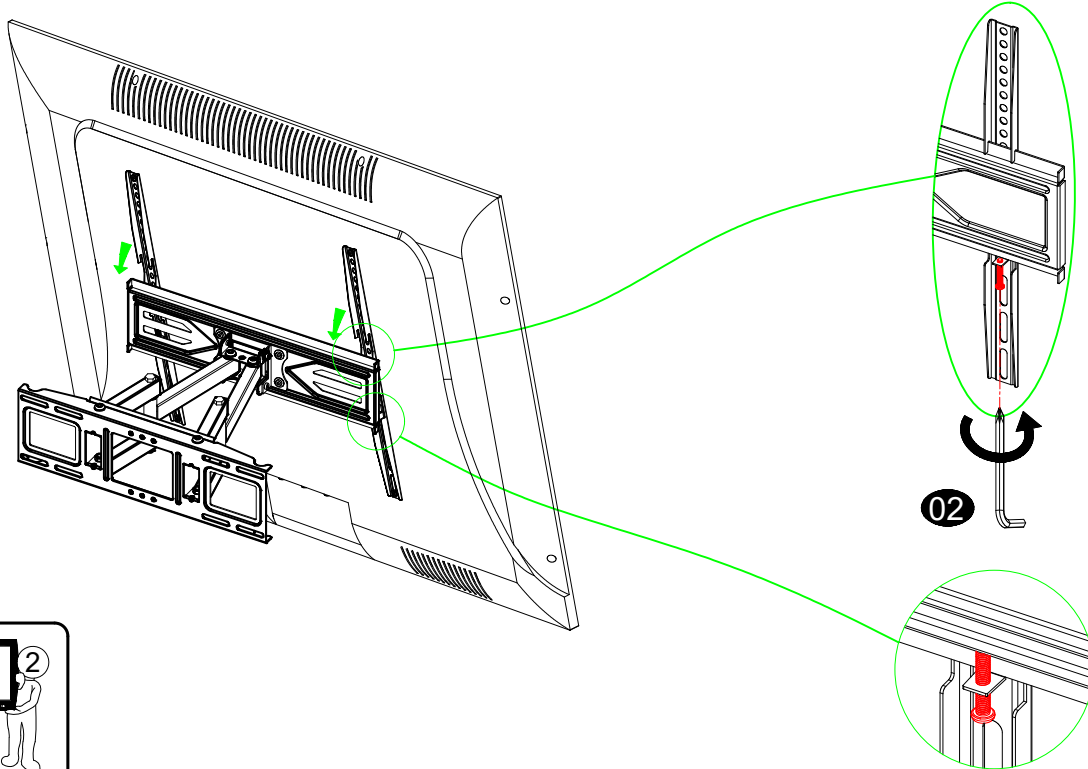
## STEP 3 Wall Plate Installation Integrity Test

Before hanging TV, please try to pull the mount to make sure that it has been assembled on the wall tightly.



99 LBS (45 kg)

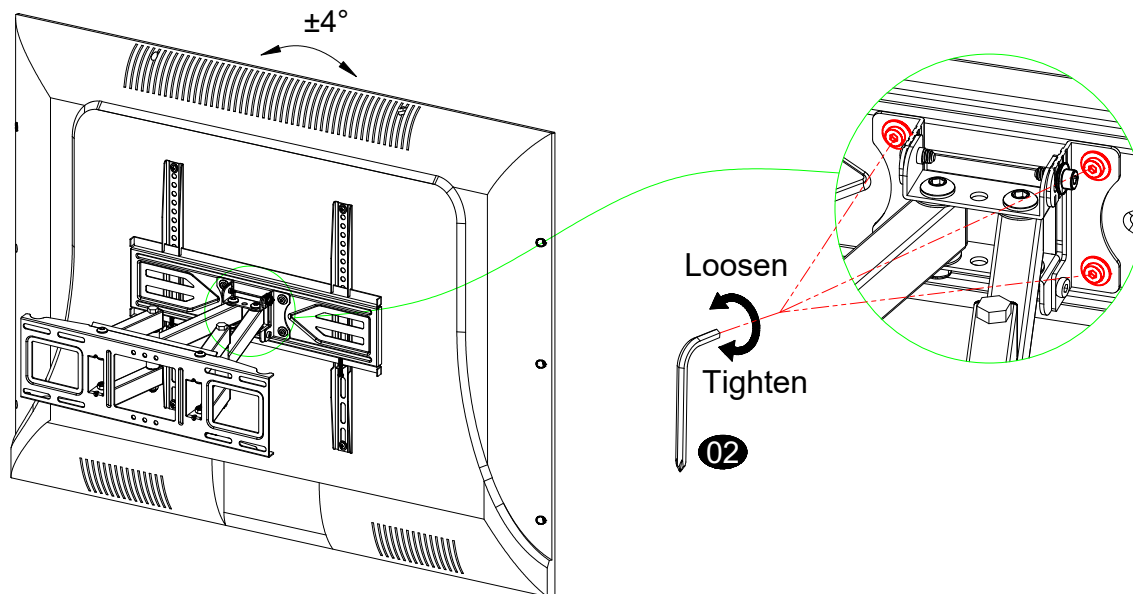
# STEP 4 Hang and Secure TV to Wall Plate



## STEP 5 Adjustments

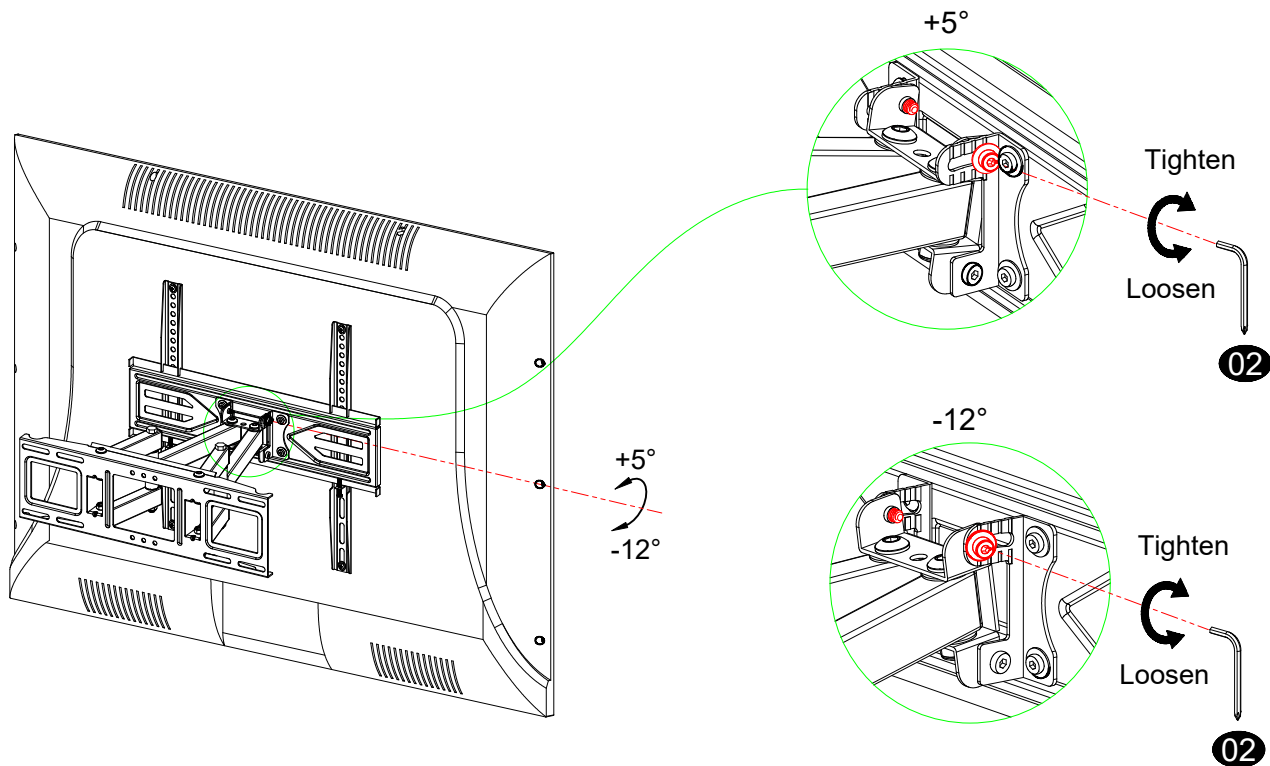
5-1 TV leveling adjustment ( $\pm 4^\circ$ ):

Loosen 4 leveling bolts on the rear of TV plate by maximum 2 turns, adjust to level, and retighten to secure.



## 5-2 Tilting angle adjustment (+5°/-12°):

Pull TV to your desired angle then fasten 2 tilting bolts with Allen key **02**.





### 5-3 Cables manage:

Manage TV cables orderly and guide them through the velcros.

