

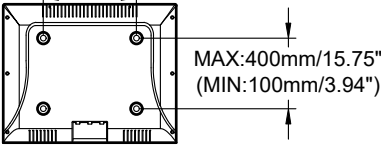

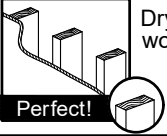
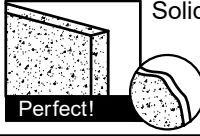
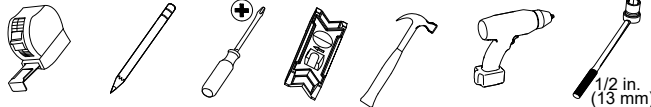
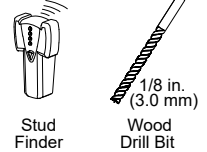

XMM501 INSTRUCTION MANUAL

For 26-60" TV

If you have any questions along the way, just message to us. We're ready to help!

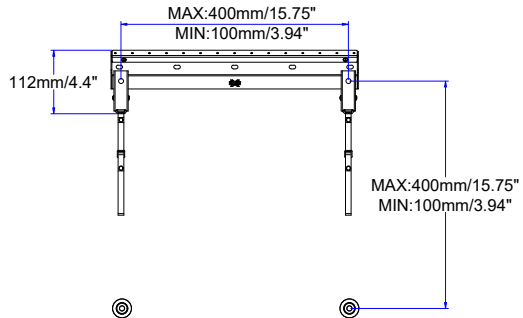
! CAUTION: PLEASE READ ENTIRE MANUAL PRIOR TO USE AND SAVE THESE INSTRUCTIONS

Before getting started, let's check below lists to make sure it is just right for you!

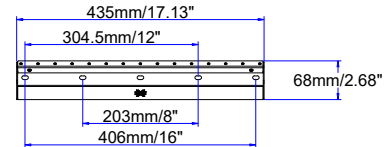
<p>Check your TV VESA is within Min and Max size</p>	<p>1</p> <p>MAX:400mm/15.75" (MIN:100mm/3.94")</p> 	<p>No? This mount is NOT compatible. Yes? Perfect !</p>		
<p>Does your TV (including accessories) weigh MORE than 100 lbs. (45.5 kg)?</p>	<p>2</p>  <p>No? Perfect – you may continue. Yes? This mount is NOT compatible.</p>	<p>! CAUTION: DO NOT exceed the maximum weight indicated. This mounting system is intended for use only with the maximum weights indicated. Use with products heavier than the maximum weights indicated may result in collapse of the mount and its accessories, causing possible injury.</p>		
<p>What is your wall made of?</p>	<p>3</p>  <p>Drywall with wood studs? Perfect!</p>	<p>! CAUTION: DO NOT install into drywall alone</p>	<p>Solid concrete</p>  <p>Perfect!</p>	<p>? Unsure? Mail to us via Amazon.</p>
<p>Do you have all the tools needed? (NOT INCLUDE)</p>	<p>4</p>  <p>Tape Measure Pencil Screw driver Level Hammer Electric Drill Socket Wrench</p>	<p>Wood Stud Install</p>  <p>Stud Finder 1/8 in. (3.0 mm) Wood Drill Bit</p>	<p>Concrete Install</p>  <p>Masonry Drill Bit</p>	
<p>CAUTION</p>	<p>5</p> <ul style="list-style-type: none"> • This product is designed for use in wood stud, solid concrete walls - DO NOT install into drywall alone • The wall must be capable of supporting five times the weight of the TV and mount itself • Do not use this product for any purpose not explicitly specified by manufacturer • Manufacturer is not responsible for damage or injury caused by incorrect assembly or use 			

Dimensions

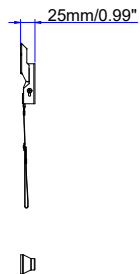
TV INTERFACE



WALL PLATE




SIDE VIEW



Parts and Hardware

▲ WARNING: This product contains small items that could be a choking hazard if swallowed. Before starting assembly, verify all parts are included and undamaged. If any parts are missing or damaged, do not return the damaged item to your dealer; contact Customer Service.
Never use damaged parts!

 **NOTE:** Not all hardware included will be used.

Parts and Hardware for STEP 1

TV Brackets



04 x2

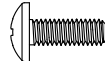
Spacer



05 x2

TV Screws

M4x12mm



a x4

M4x30mm



d x4

M6x12mm



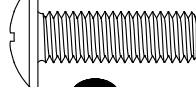
b x4

M6x35mm



e x4

M8x25mm



c x4

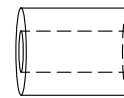
M8x45mm



f x4

Spacers

M8x22mm



g x4

10mm



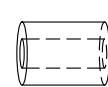
h x4

2.5mm



i x8

M6x17mm



j x4

Washers

M4



k x4

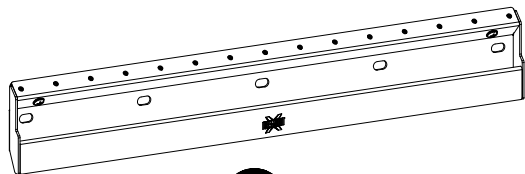
M6



l x4

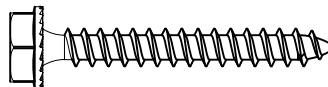
Parts and Hardware for STEP 2

Wall Plate



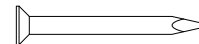
03 x1

Lag Bolt M6x50mm



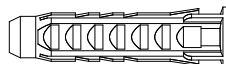
01 x2

Steel nail
Ø2.8x30mm



02 x17

Concrete wall anchor (NOT INCLUDED)



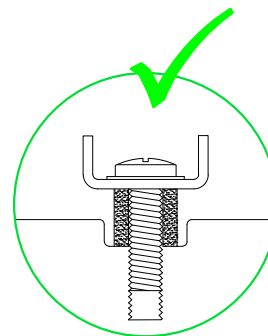
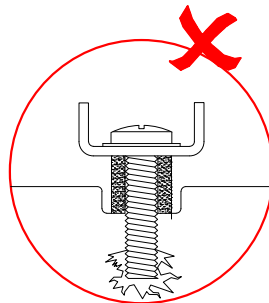
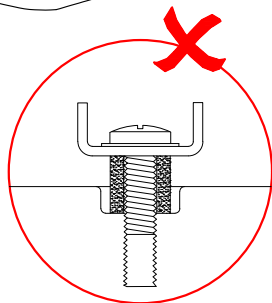
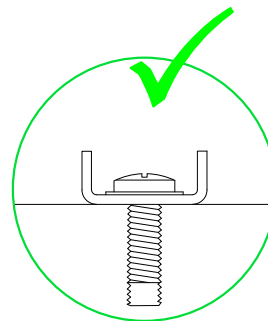
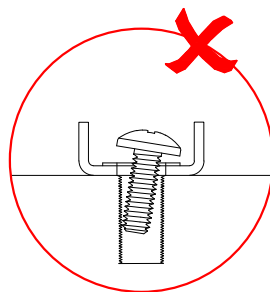
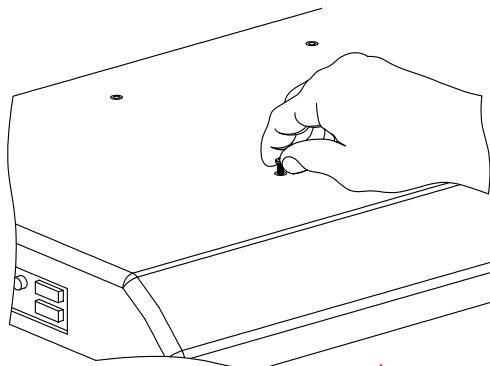
Concrete Wall Anchor
Ø10x50mm 2pcs

Contact us and message to us to have these additional pieces shipped directly to you.

STEP 1 Attach Brackets to TV

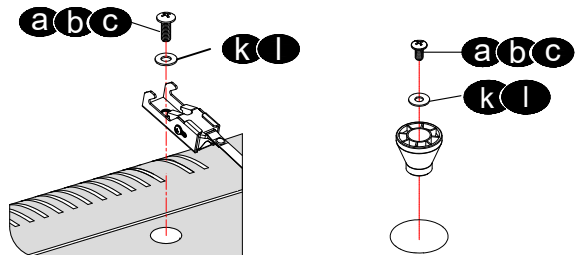
1-1 Select TV Screws

M4 M6 M8

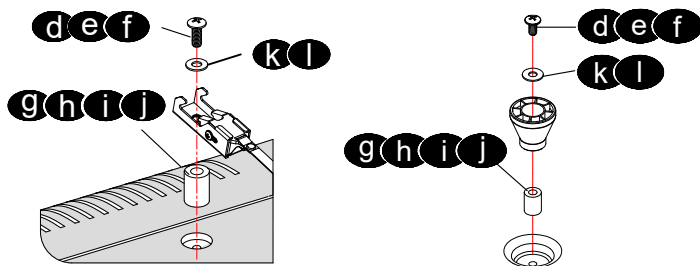


1-2 Need Spacer?

I No, choose suitable screws and washers.
Not need washers **k l** for screw **c**.

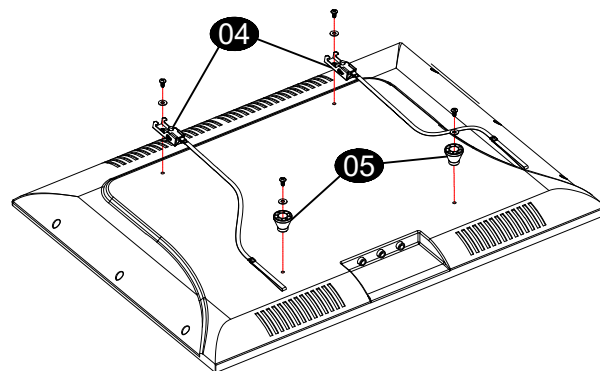
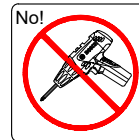


II Yes, choose suitable screws, washers and spacers.
Not need washers **k l** for screw **f**.



Tips: If you need to combine M6/M8(c/e/f) screws with 2.5mm spacers(i), you have to remove the inner circle.

1-3 Attach the TV Plate



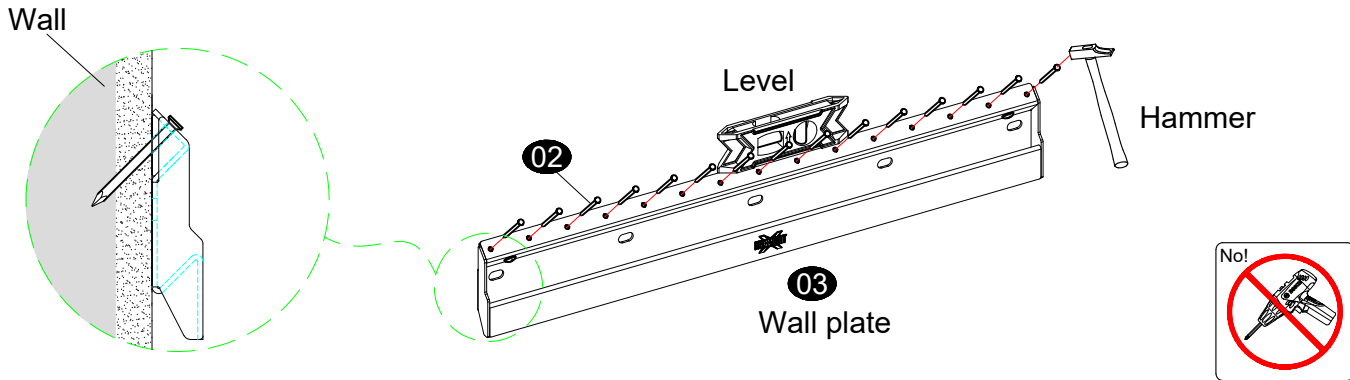
Please ensure that all four screws enter the VESA hole before tightening all screws during installation.

STEP 2A Attach Wall Plate to Wall by using Steel nails

⚠ CAUTION: Avoid potential personal injury or property damage!

- Minimum **wall** thickness: 3/8 in. (9.5 mm)
- DO NOT mount to patched areas/drywall seams /uneven walls.
- Your TV must be centered on the wall plate.

1. The Steel nail **02** must go through 2 holes, hammer in nails at both ends to secure the wall plate **03**, then hammer in the remaining nails. The wall plate **03** must be level during nail fixing.
2. All 15 Steel nails **02** MUST BE firmly tightened to prevent unwanted movement of the wall plate **03**.
Next step on PAGE 13



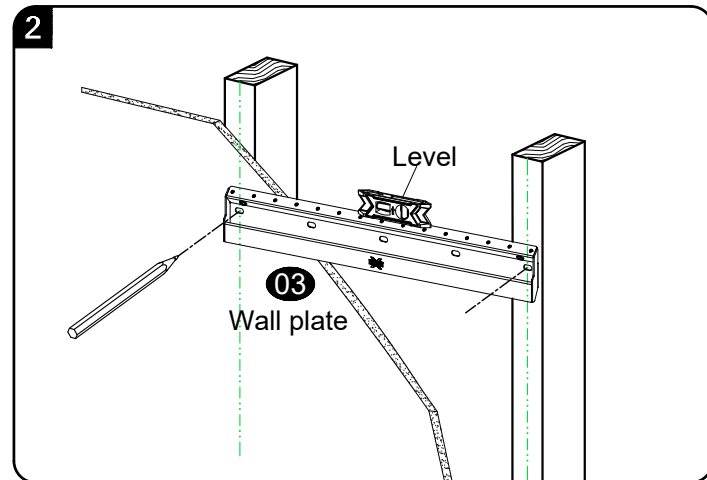
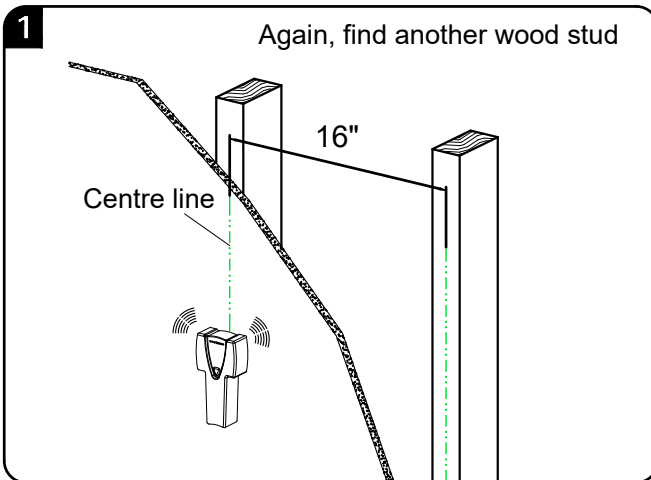
Tips: Please hammer nails with proper force, overforce may lead to nail looseness.

STEP 2B Attach Wall Plate to Wall Wood Stud by using Lag Bolt

⚠ CAUTION: Avoid potential personal injury or property damage!

- Drywall covering the wall, must not exceed 5/8 in. (16 mm)
- Minimum **wood stud** size: common 2 x 4 in. (51 x 102 mm) nominal 1½ x 3½ in. (38 x 89 mm)
- Stud center must be verified

1. Locate your studs. Verify and mark the center of the stud by finding the stud edges using a thin nail, or an edge to edge stud finder.
2. Position the wall plate **03** at your desired height and line up the holes with your stud center line. Level the wall plate and mark the hole locations.



3. Drill pilot holes using a 1/8 in. (3.0 mm) diameter drill bit.

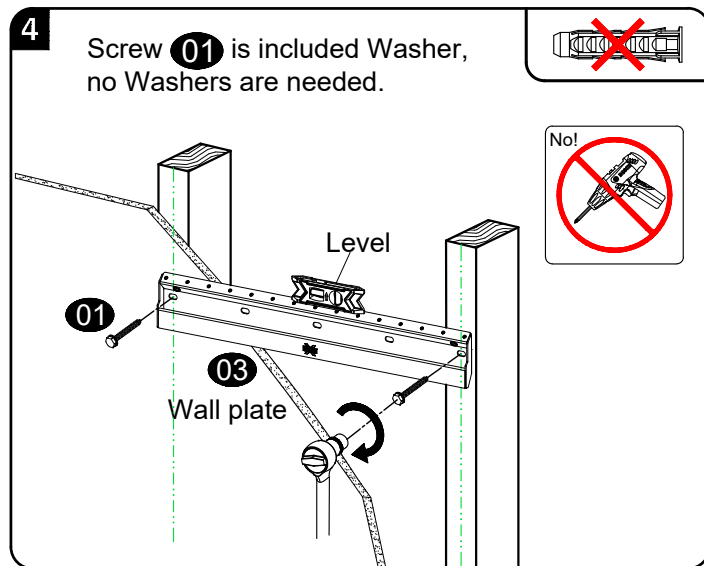
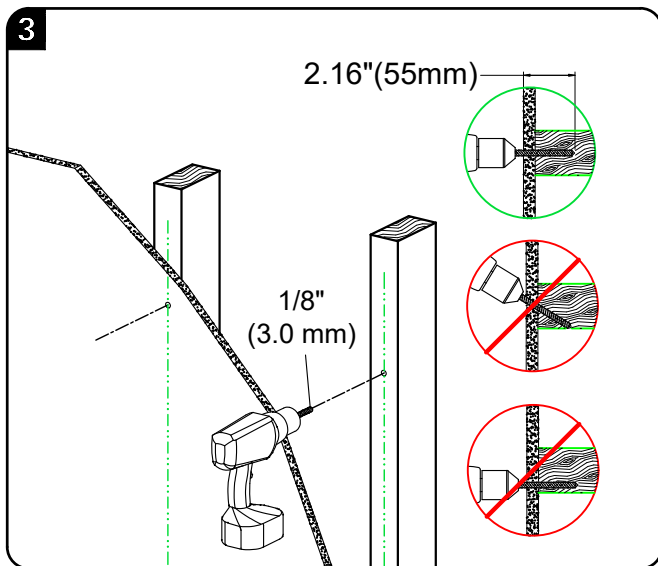
! IMPORTANT: Pilot holes must be drilled to a depth of 2.16 in. (55 mm). Be sure to drill into the center of the studs.

4. Install wall plate **03** using two lag bolts **01**. Tighten the lag bolts only until they are pulled firmly against the wall plate.

! CAUTION: Improper use could reduce the holding power of the lag bolt.

DO NOT over-tighten the lag bolts.

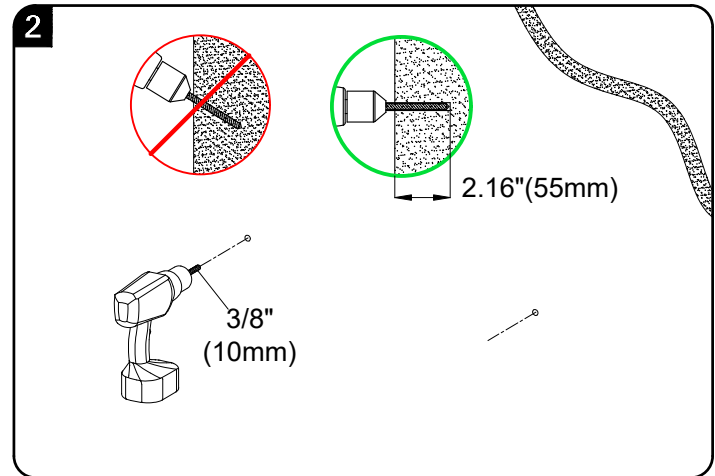
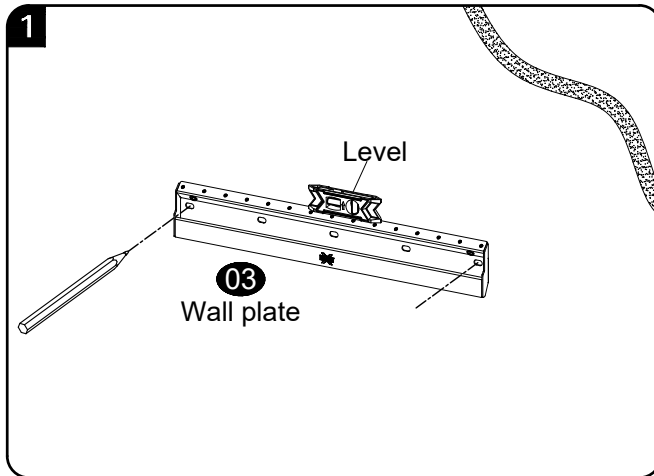
Next step on PAGE 13



STEP 2C Attach Wall Plate to Solid Concrete Wall by using Lag Bolt

⚠ CAUTION: Avoid potential personal injury or property damage!

- Mount the wall plate **03** onto the concrete surface directly
 - Minimum **solid concrete** thickness: 8 in. (203 mm)
1. Position the wall plate **03** on the wall at your desired height. Level the wall plate and mark the hole locations.
 2. Drill 2 pilot holes using a 3/8 in. (10 mm) diameter masonry drill bit.
 - ❗ **IMPORTANT:** Pilot holes must be drilled to a depth of 2.16 in. (55 mm).

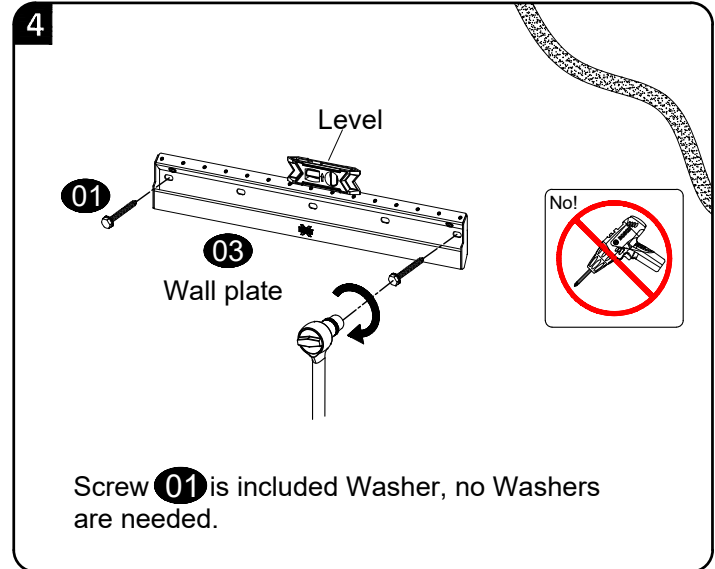
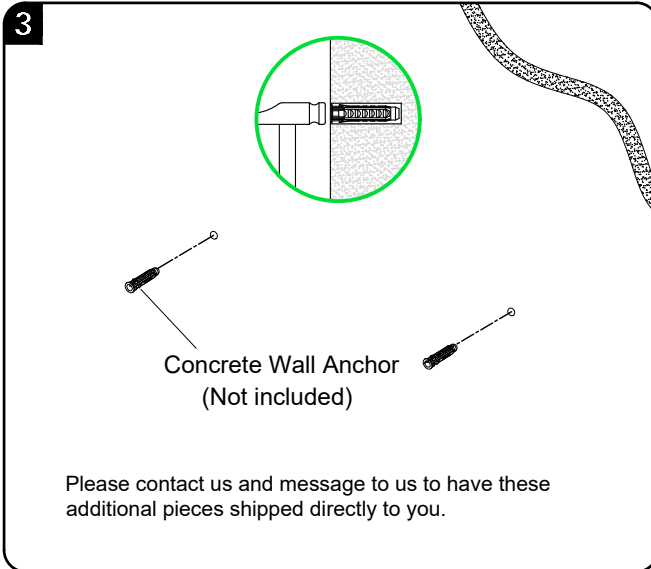


3. Insert 2 anchors.

⚠ **CAUTION:** Be sure the anchors are seated flush with the concrete surface.

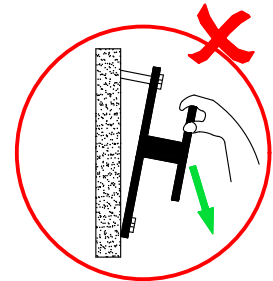
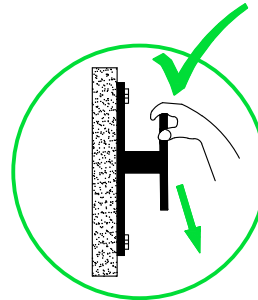
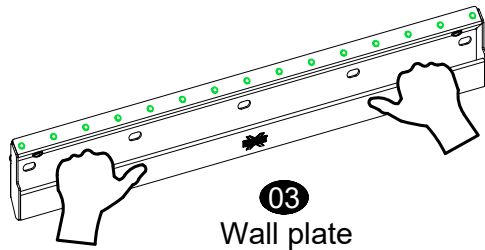
4. Insert wall plate **03** using two lag bolts **01**. Tighten the lag bolts only until they are pulled firmly against the wall plate.

⚠ **CAUTION:** Improper use could reduce the holding power of the lag bolt.
DO NOT over-tighten the lag bolts.



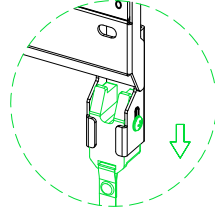
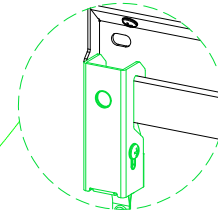
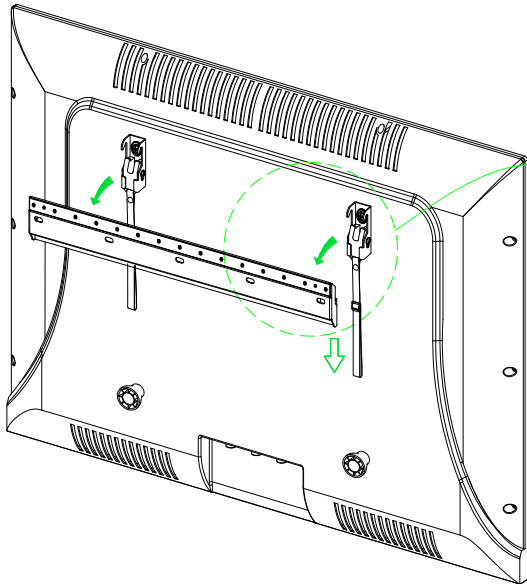
STEP 3 Wall Plate Installation Integrity Test

Before hanging TV, please try to pull the mount to make sure that it has been assembled on the wall tightly.

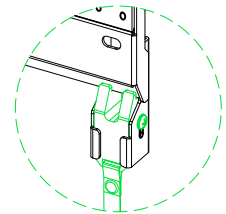
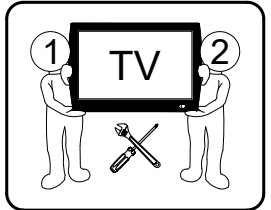


100 LBS (45.5 kg)

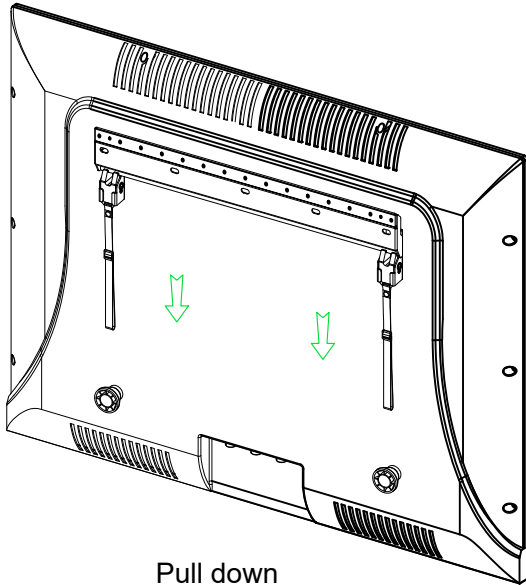
STEP 4 Hang and Secure TV to Wall Plate



Pull down



Take Down the TV from the Mount



Pull down
the straps

