

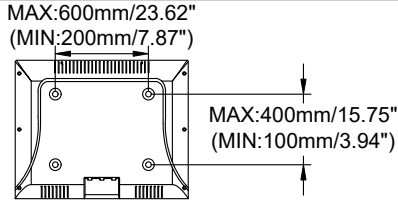

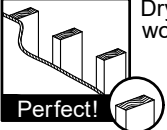
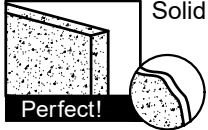




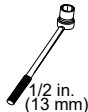


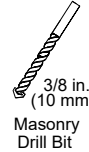

XML602-K INSTRUCTION MANUAL

For 37-90" TV

If you have any questions along the way, just message to us. We're ready to help!

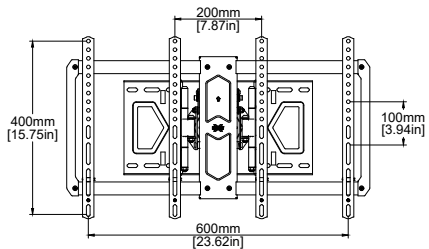
⚠ CAUTION: PLEASE READ ENTIRE MANUAL PRIOR TO USE AND SAVE THESE INSTRUCTIONS

Before getting started, let's check below lists to make sure it is just right for you!

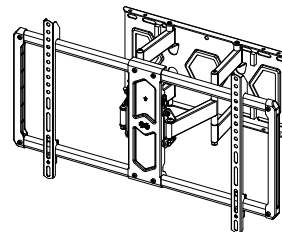
<p>Check your TV VESA is within Min and Max size</p>	<p>1</p>  <p>MAX: 600mm/23.62" (MIN: 200mm/7.87")</p> <p>MAX: 400mm/15.75" (MIN: 100mm/3.94")</p> <p>No? This mount is NOT compatible. Yes? Perfect !</p>
<p>Does your TV (including accessories) weigh MORE than 120 lbs. (54.5 kg)?</p>	<p>2</p>  <p>120 LBS (54.5 kg)</p> <p>No? Perfect – you may continue. Yes? This mount is NOT compatible.</p> <div style="border: 1px solid black; padding: 5px;"> <p>⚠ CAUTION: DO NOT exceed the maximum weight indicated. This mounting system is intended for use only with the maximum weights indicated. Use with products heavier than the maximum weights indicated may result in collapse of the mount and its accessories, causing possible injury.</p> </div>
<p>What is your wall made of?</p>	<p>3</p> <div style="display: flex; justify-content: space-between;"> <div style="width: 30%;">  <p>Drywall with wood studs? Perfect!</p> </div> <div style="width: 20%; text-align: center;"> <p>CAUTION: DO NOT install into drywall alone</p> </div> <div style="width: 30%;">  <p>Solid concrete Perfect!</p> </div> <div style="width: 15%; text-align: center;"> <p>? Unsure? Mail to us via Amazon.</p> </div> </div>
<p>Do you have all the tools needed? (NOT INCLUDE)</p>	<p>4</p> <div style="display: flex; justify-content: space-around; align-items: center;"> <div style="text-align: center;">  Tape Measure </div> <div style="text-align: center;">  Pencil </div> <div style="text-align: center;">  Screw driver </div> <div style="text-align: center;">  Electric Drill </div> <div style="text-align: center;">  Socket Wrench 1/2 in. (13 mm) </div> <div style="border: 1px solid black; padding: 2px; text-align: center;"> <p>Wood Stud Install</p>  Stud Finder </div> <div style="border: 1px solid black; padding: 2px; text-align: center;"> <p>Concrete Install</p>  Wood Drill Bit 7/32 in. (5.5 mm) </div> <div style="border: 1px solid black; padding: 2px; text-align: center;"> <p>Concrete Install</p>  Masonry Drill Bit 3/8 in. (10 mm) </div> <div style="text-align: center;">  Hammer </div> </div>
<p>CAUTION</p>	<p>5</p> <ul style="list-style-type: none"> • This product is designed for use in wood stud, solid concrete walls - DO NOT install into drywall alone • The wall must be capable of supporting five times the weight of the TV and mount itself • Do not use this product for any purpose not explicitly specified by manufacturer • Manufacturer is not responsible for damage or injury caused by incorrect assembly or use

Dimensions

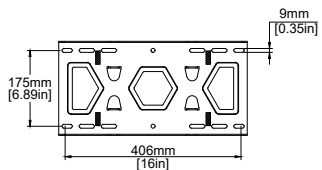
TV INTERFACE



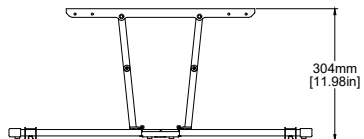
3-D



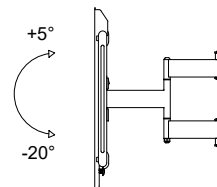
WALL PLATE



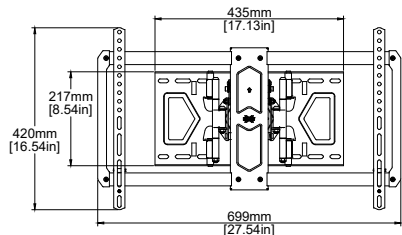
TOP VIEW - EXTENDED



SIDE VIEW - EXTENDED



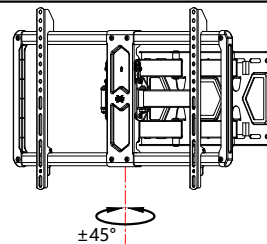
FULLY ASSEMBLED MOUNT



TOP VIEW - RETRACTED



SIDE VIEW - EXTENDED



Parts and Hardware

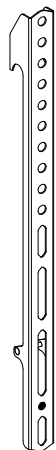
⚠ WARNING: This product contains small items that could be a choking hazard if swallowed. Before starting assembly, verify all parts are included and undamaged. If any parts are missing or damaged, do not return the damaged item to your dealer; contact Customer Service.

Never use damaged parts!

📄 NOTE: Not all hardware included will be used.

Parts and Hardware for STEP 1

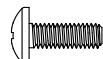
TV Brackets



11 x2

TV Screws

M4x12mm



a x4

M4x30mm



d x4

M6x12mm



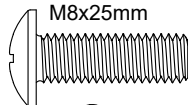
b x4

M6x35mm



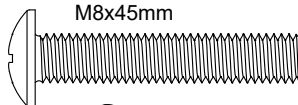
e x4

M8x25mm



c x4

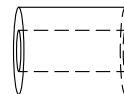
M8x45mm



f x4

Spacers

M8x22mm



g x4

10mm



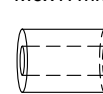
h x4

2.5mm



i x8

M6x17mm



j x4

Washers

M4



k x4

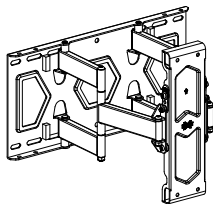
M6



l x4

Parts and Hardware for STEP 2

Wall Plate Unit

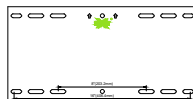


10 x1

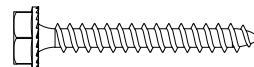


Velcro x3

Mounting template



Lag Bolt



01 x4

Level



Concrete wall anchor (NOT INCLUDED)

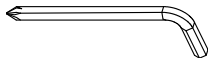


Concrete Wall Anchor
Ø10x50mm 4pcs

Contact us and message to us to have these additional pieces shipped directly to you.

Parts and Hardware for STEP 3

Allen Key



02 x1

M6x10mm Bolt



03 x8

M6x16mm Bolt



04 x2

M6x16mm Bolt



05 x2

Wrap clips



06 x2

Extension Arm



07 x2

Extension Arm



08 x2

End Support

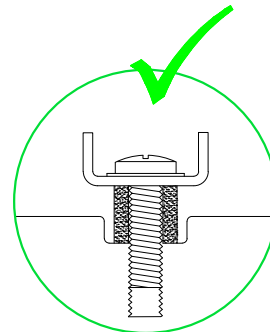
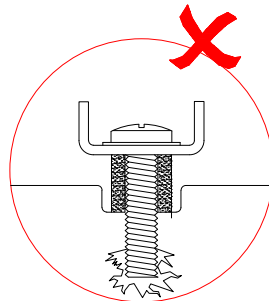
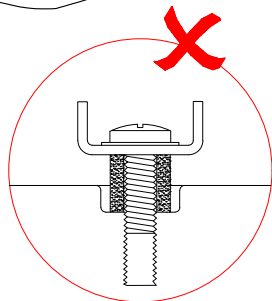
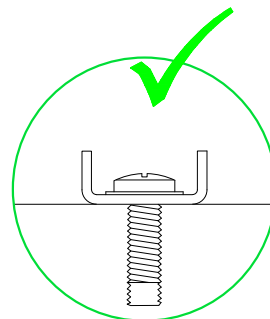
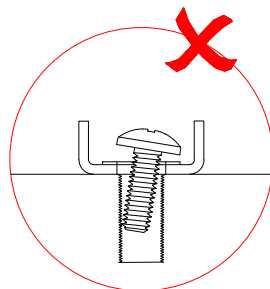
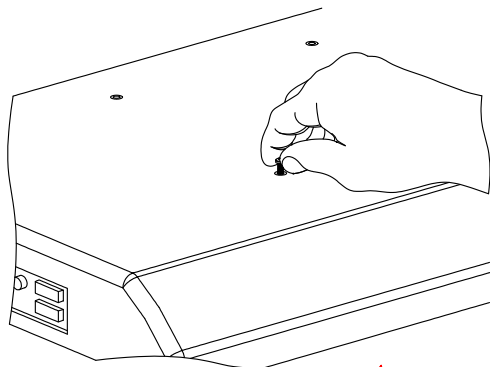


09 x2

STEP 1 Attach Brackets to TV

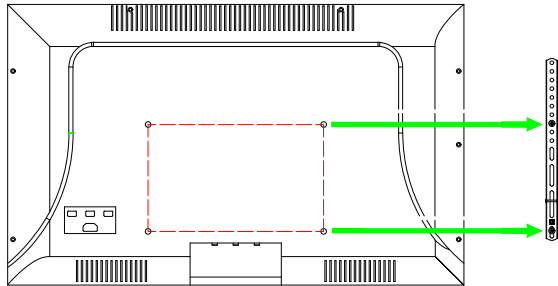
1-1 Select TV Screws

M4 M6 M8



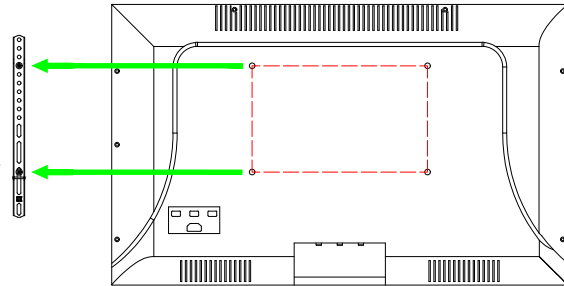
1-2 Figure out the suitable position of brackets

LOW MOUNTING HOLES

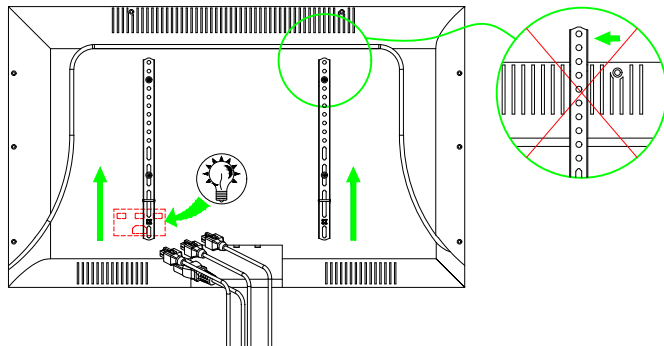


11

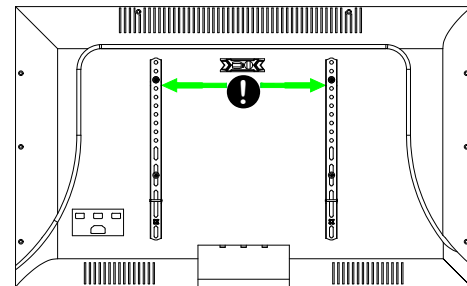
HIGH MOUNTING HOLES



INSTALL UP/DOWN IF NEEDED

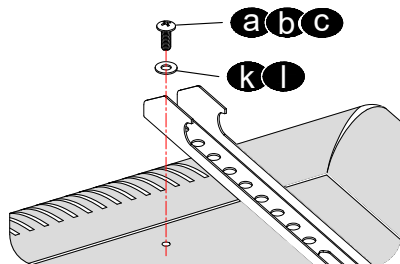


TV BRACKETS MUST BE LEVEL



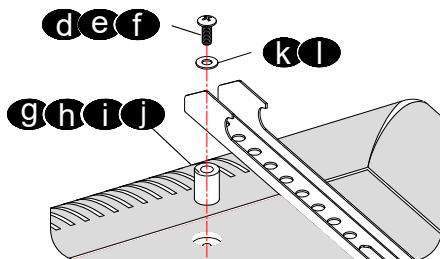
1-3 Need Spacer?

I No, choose suitable screws and washers.



screw **c** is connected with TV Brackets **11** directly, do not need to be connected with Washers **k l**.

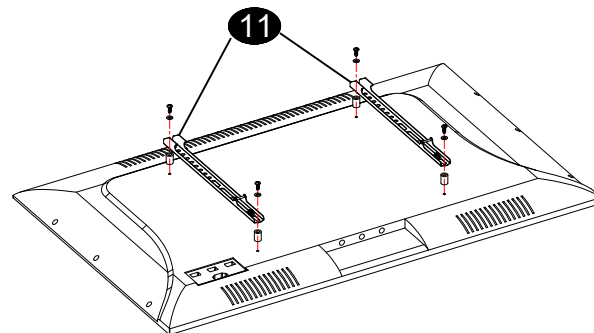
II Yes, choose suitable screws, washers and spacers.



screw **f** is connected with TV Brackets **11** directly, do not need to be connected with Washers **k l**.

Tips: If you need to combine M6/M8(c/e/f) screws with 2.5mm spacers(i), you have to remove the inner circle.

1-4 Attach the TV Plate



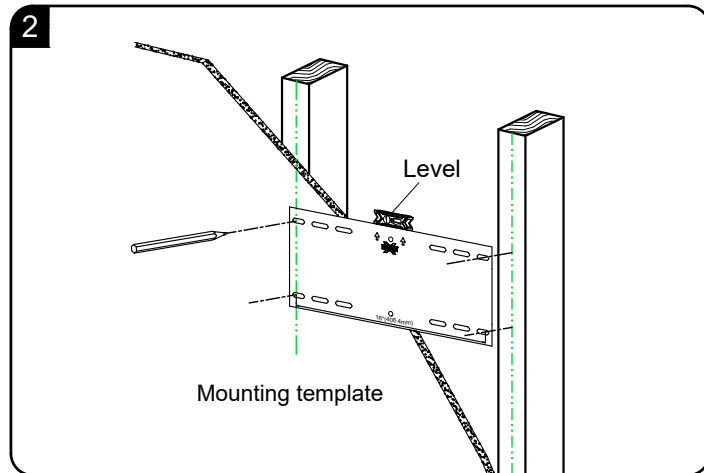
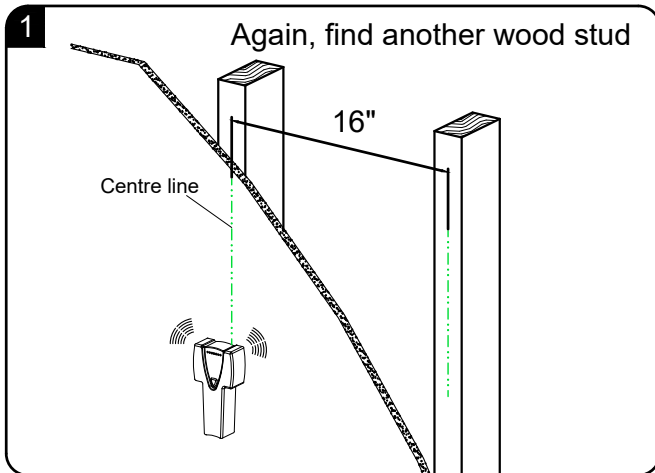
Please ensure that all four screws enter the VESA hole before tightening all screws during installation.

STEP 2A Attach Wall Plate to Wall Wood Stud Option

⚠ CAUTION: Avoid potential personal injury or property damage!

- Drywall covering the wall, must not exceed 5/8 in. (16 mm)
- Minimum **wood stud** size: common 2 x 4 in. (51 x 102 mm) nominal 1½ x 3½ in. (38 x 89 mm)
- Maximum horizontal space between fasteners: 16 in. (406 mm)
- Stud center must be verified
- If studs spacing is from 18" to 24", add a 24" extension plate to bridge up to 24" wood studs

1. Locate your studs. Verify and mark the center of the stud by finding the stud edges using a thin nail, or an edge to edge stud finder.
2. Position the mounting template at your desired height and line up the holes with your stud center line. Level the wall plate and mark the hole locations.



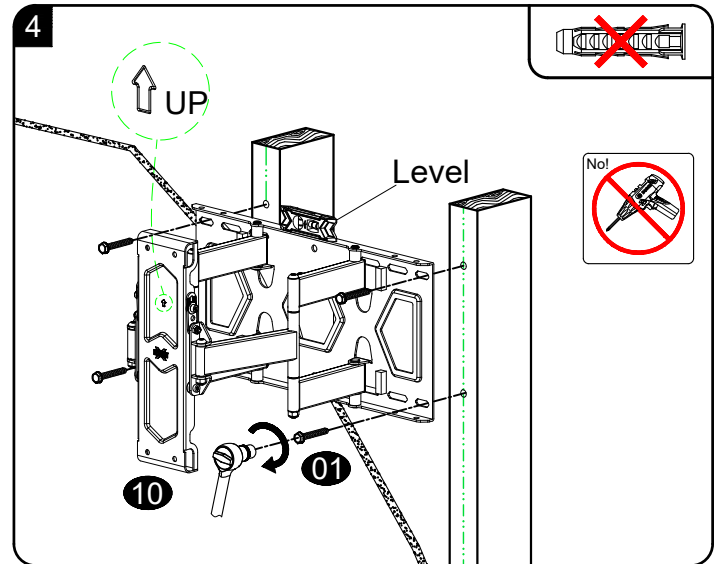
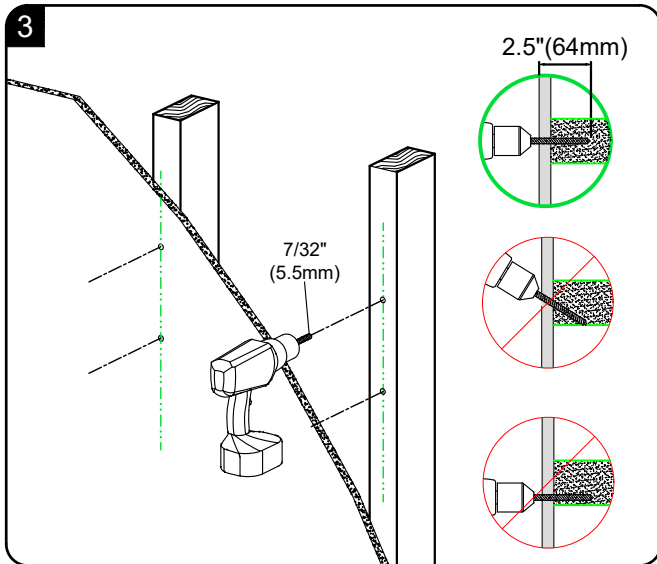
3. Drill pilot holes using a 7/32 in. (5.5 mm) diameter drill bit.

❗ **IMPORTANT:** Pilot holes must be drilled to a depth of 2.5 in. (64 mm). Be sure to drill into the center of the studs.

4. Install wall plate **10** using four lag bolts **01**. Tighten the lag bolts only until they are pulled firmly against the wall plate.

⚠ **CAUTION:** Improper use could reduce the holding power of the lag bolt.
DO NOT over-tighten the lag bolts.

Go to STEP 3 on PAGE 13.

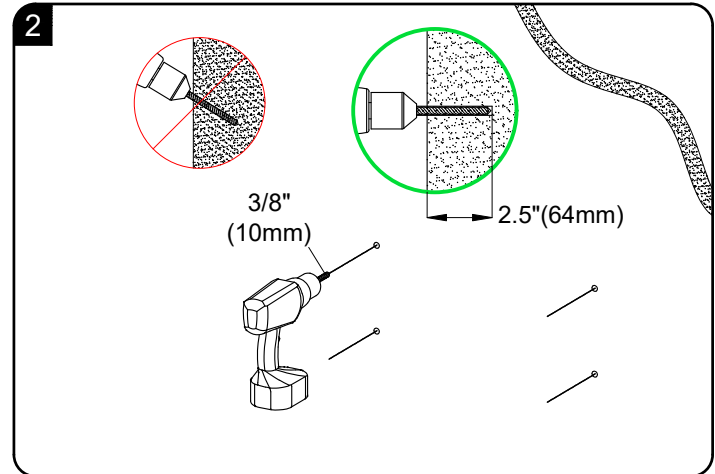
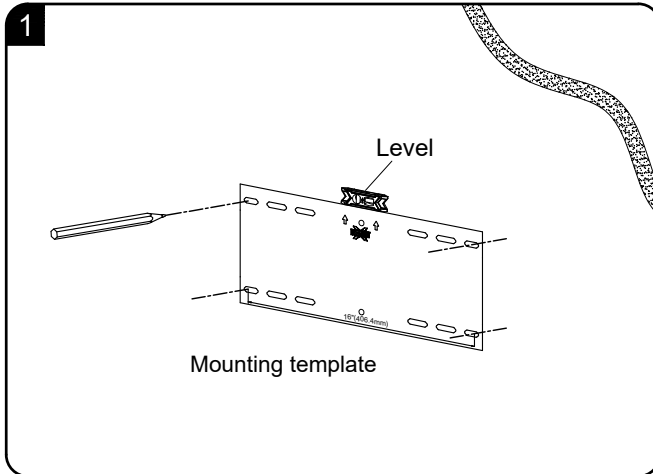


STEP 2B Attach Wall Plate to Solid Concrete Wall

⚠ **CAUTION:** Avoid potential personal injury or property damage!

- Mount the wall plate assembly **10** directly onto the concrete surface
- Minimum **solid concrete** thickness: 8 in. (203 mm)

1. Position the mounting template on the wall at your desired height. Level the wall plate and mark the hole locations.
2. Drill four pilot holes using a 3/8 in. (10 mm) diameter masonry drill bit.
 - ❗ **IMPORTANT:** Pilot holes must be drilled to a depth of 2.5 in. (64 mm).

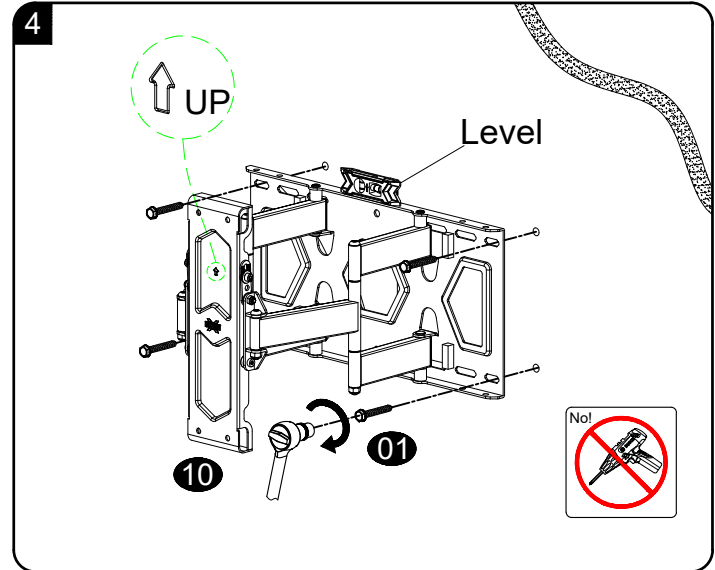
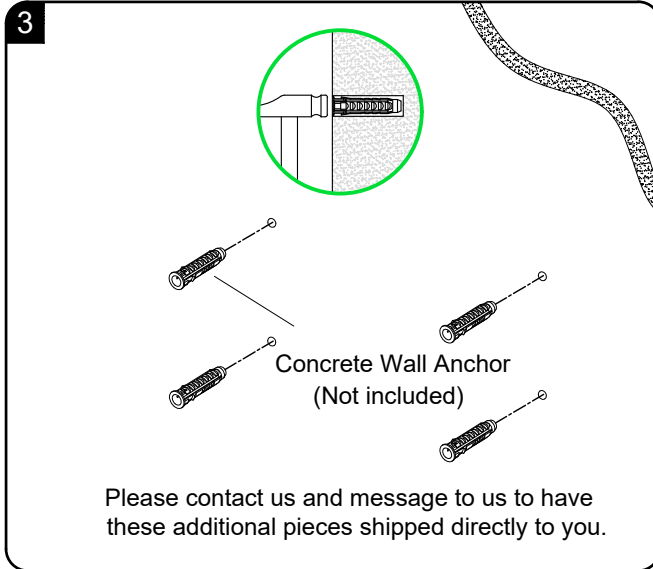


3. Insert four anchors.

▲ **CAUTION:** Be sure the anchors are seated flush with the concrete surface.

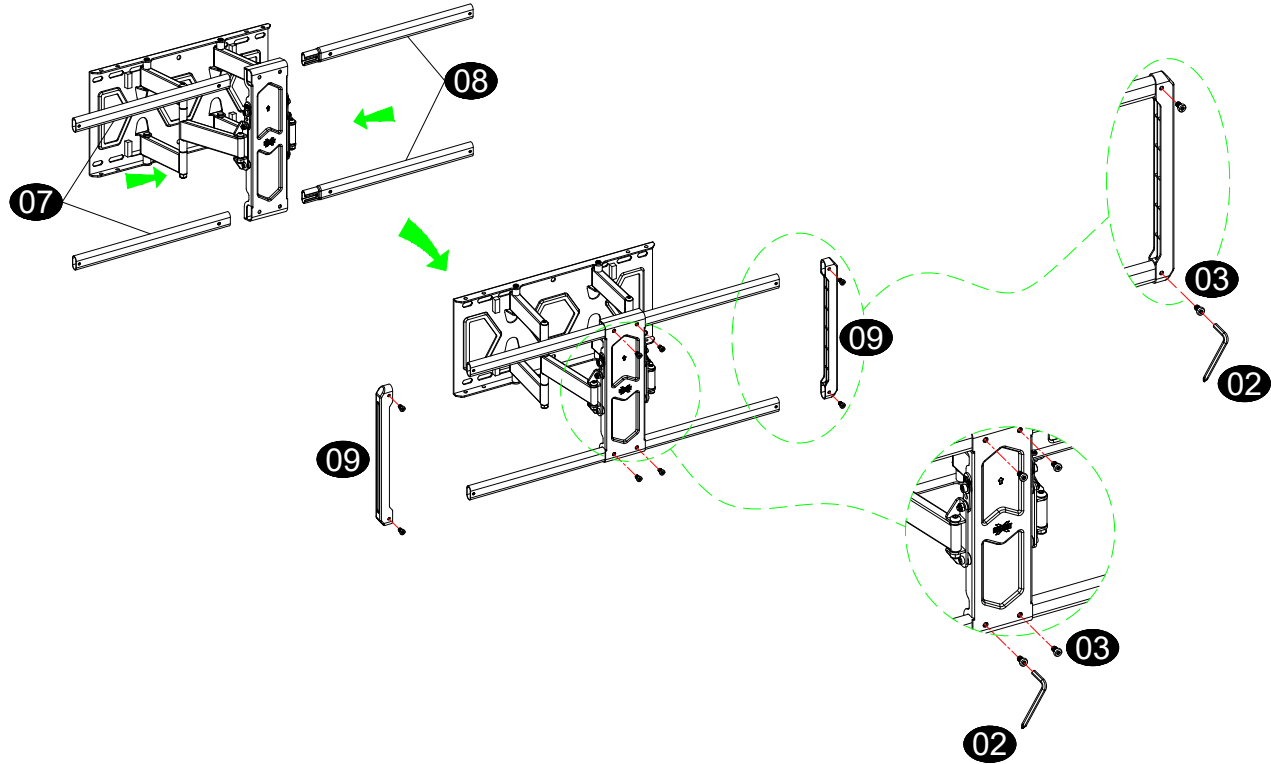
4. Insert wall plate **10** using four lag bolts **01**. Tighten the lag bolts only until they are pulled firmly against the wall plate.

▲ **CAUTION:** Improper use could reduce the holding power of the lag bolt.
DO NOT over-tighten the lag bolts.



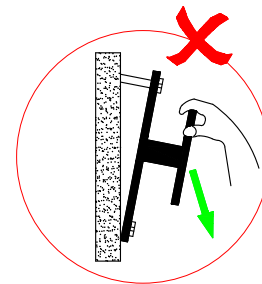
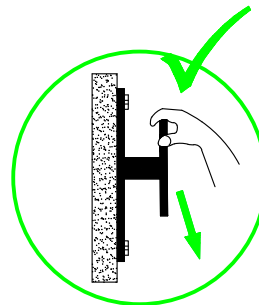
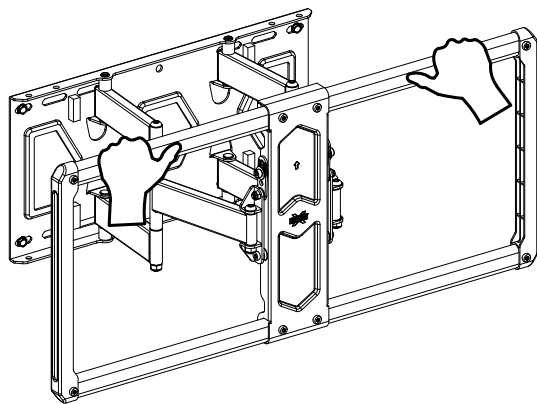
STEP 3 Extension Arms and end support Assembly

Please make sure you install these extension arms in right direction.



STEP 4 Wall Plate Installation Integrity Test

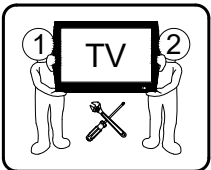
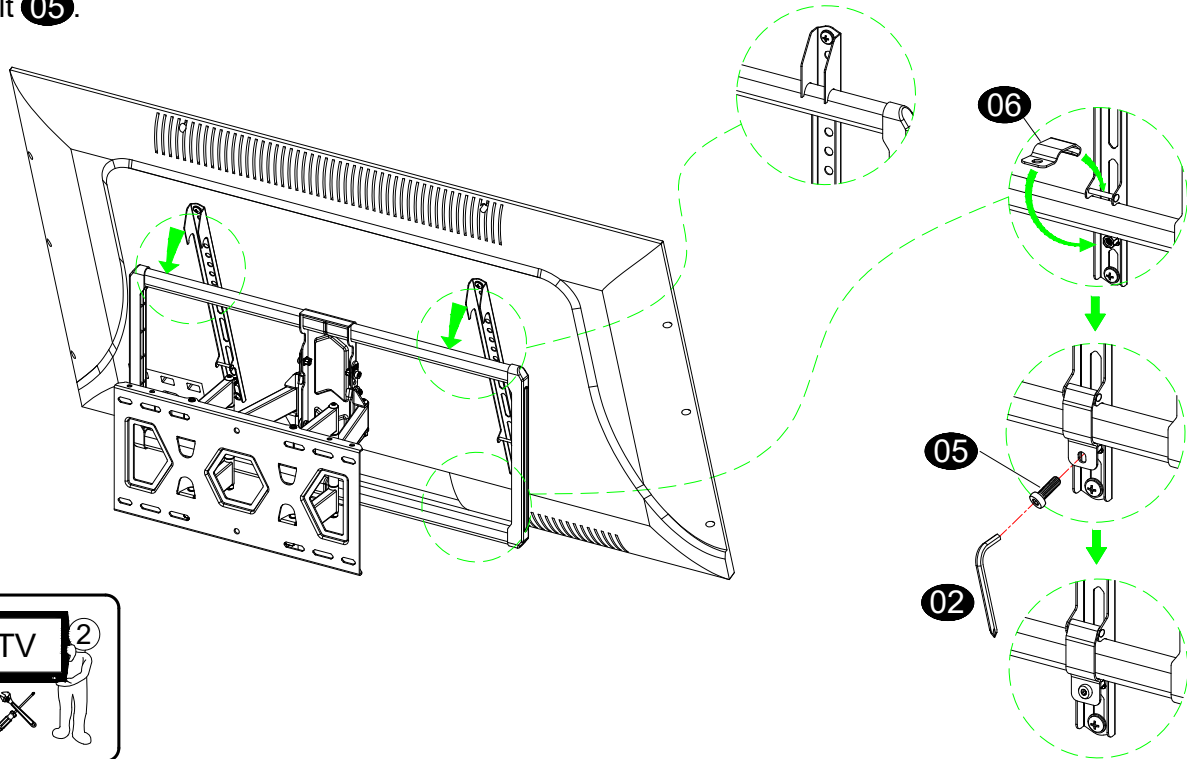
Before hanging TV, please try to pull the mount to make sure that it has been assembled on the wall tightly.



120 LBS (54.5 kg)

STEP 5 Hang and Secure TV to Wall Plate

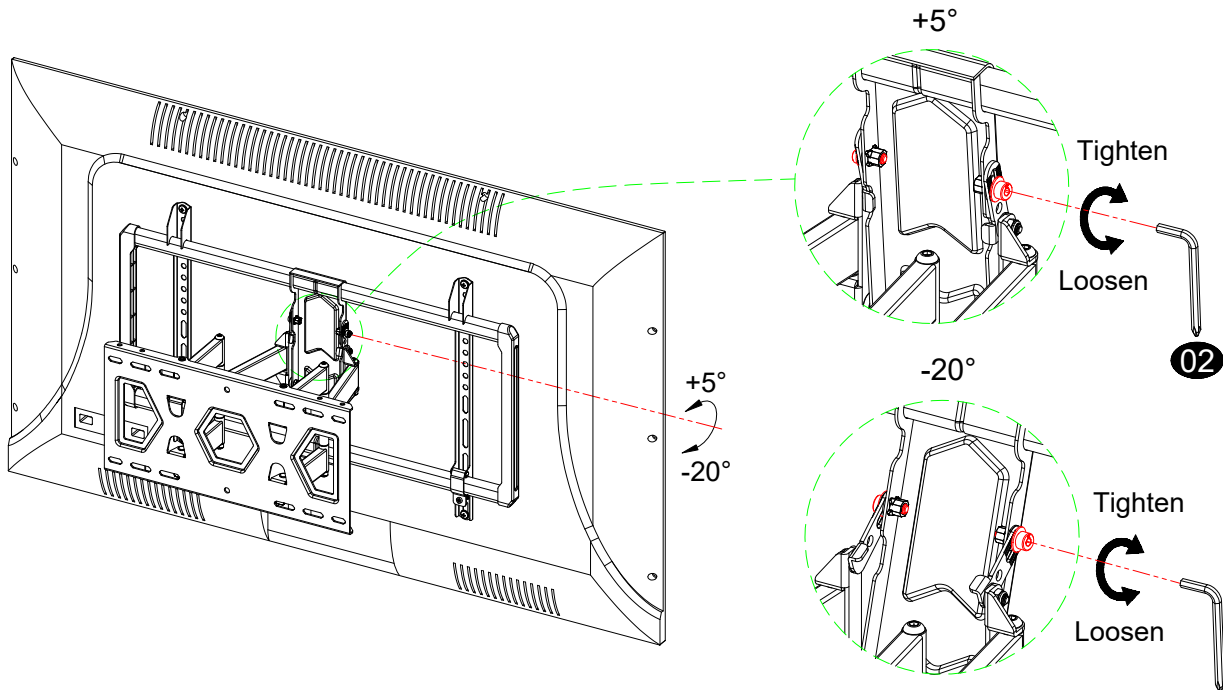
Hang the pre-assembled TV into the extension arm. wrap clips **06** on bracket around extension arms, and then tighten the bracket with the wrap clips by Allen Key and Bolt **05**.



STEP 6 Adjustments

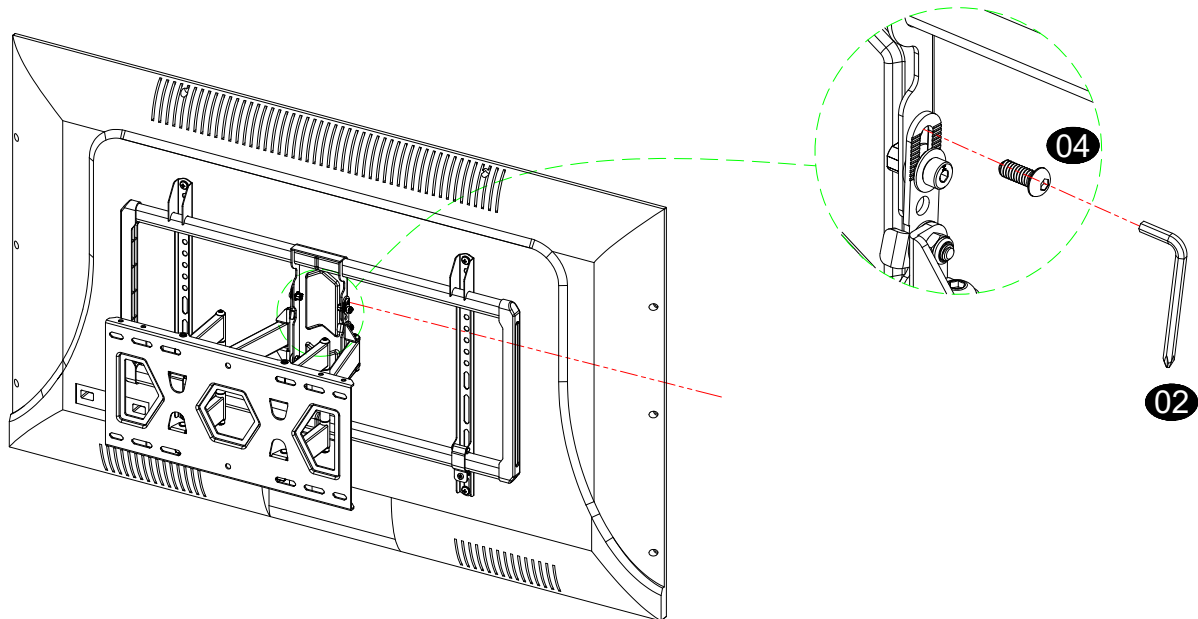
6-1 Tilting angle adjustment (+5°/-20°):

Pull TV to your desired angle then fasten 2 tilting bolts with Allen key **02**.



6-2 Tilting angle adjustment (0°):

You need to use bolts **04** to fix the TV at 0°. Remember to tighten bolts **04** after adjustment.



6-3 Cables manage:

Manage TV cables orderly and guide them through the velcros.

