

XAS004-01 INSTRUCTION MANUAL

If you have any questions along the way, just message to us. We're ready to help!

⚠ CAUTION: PLEASE READ ENTIRE MANUAL PRIOR TO USE AND SAVE THESE INSTRUCTIONS

Before getting started, let's check below lists to make sure it is just right for you!

1
Does your soundbar
(including accessories)
weigh MORE than
13.2 lbs. (6 kg)?



No? Perfect – you may continue.
Yes? This mount is NOT compatible.

⚠ CAUTION: DO NOT exceed the maximum weight indicated. This mounting system is intended for use only with the maximum weights indicated. Use with products heavier than the maximum weights indicated may result in collapse of the mount and its accessories, causing possible injury.

Do you have
all the tools
needed?
(NOT INCLUDE)

2



Tape Measure



Screw driver

Please read this instruction carefully before installation.
If you do not understand these instructions or have doubts about the safety of the installation, assembly or use of this product, please feel free to contact Customer Service:

Mail to us via Amazon.

CAUTION

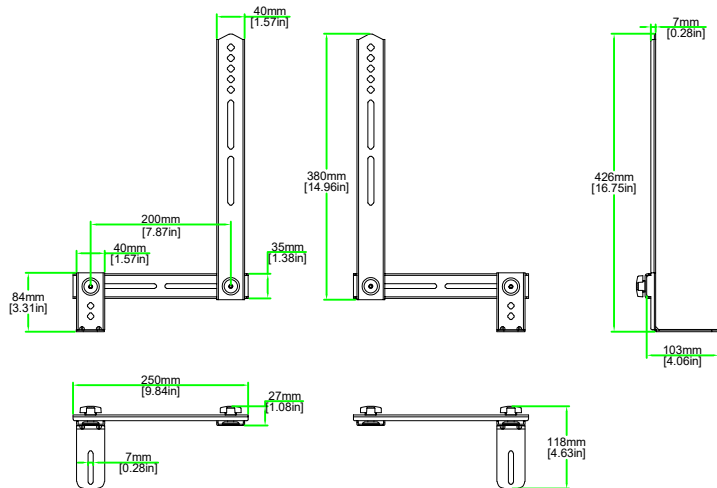
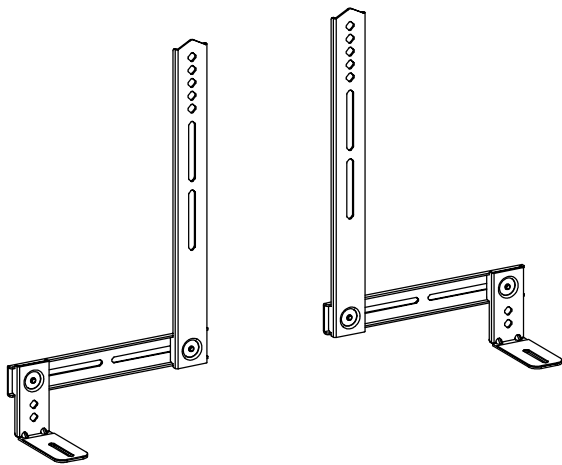
3

- Do not use this product for any purpose not explicitly specified by manufacturer
- Manufacturer is not responsible for damage or injury caused by incorrect assembly or use

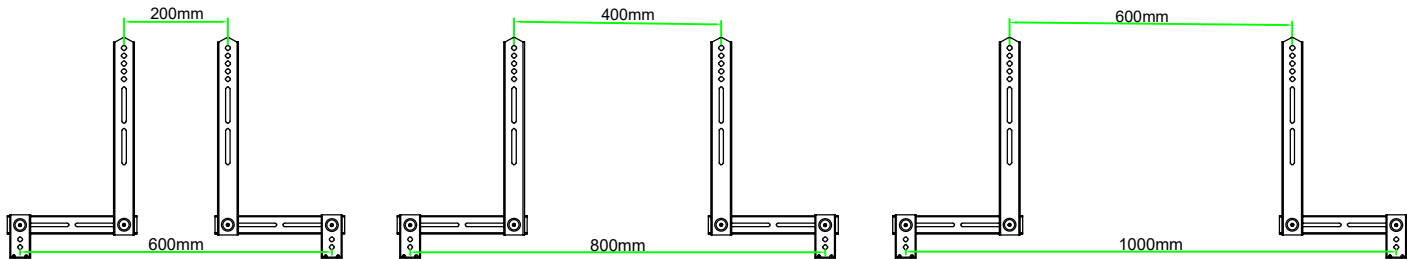
Dimensions

3-D

Product dimensions



FRONT VIEW



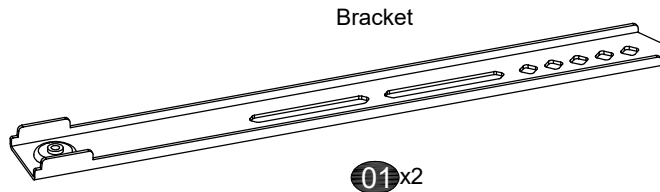
Parts and Hardware

⚠ WARNING: This product contains small items that could be a choking hazard if swallowed. Before starting assembly, verify all parts are included and undamaged. If any parts are missing or damaged, do not return the damaged item to your dealer; contact Customer Service.

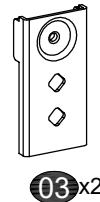
Never use damaged parts!

📄 NOTE: Not all hardware included will be used.

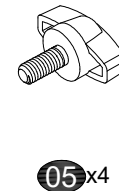
Parts and Hardware for Brackets Installation



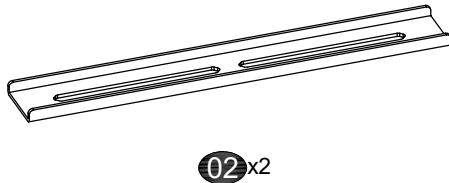
Hook (small)



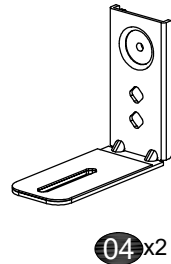
Handle



Horizontal Bar



Hook (big)



M6 Washers



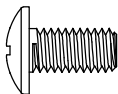
Hook and Loop



Hardware for Soundbar Installation

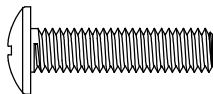
TV Screws

M6x16mm



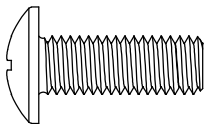
a x4

M6x25mm



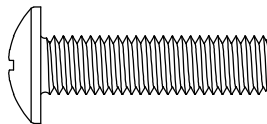
c x4

M8x20mm



b x4

M8x30mm



d x4

Spacers

8x10mm



e x4

2.5mm



f x4

Washers

M6



g x4

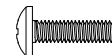
Hardware for soundbar

M6



h x2

M4x16mm



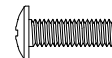
k x2

Key Hole Bolt



i x2

M5x16mm



l x2

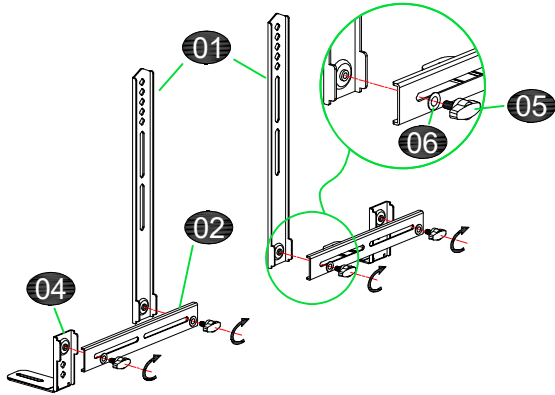
Nut



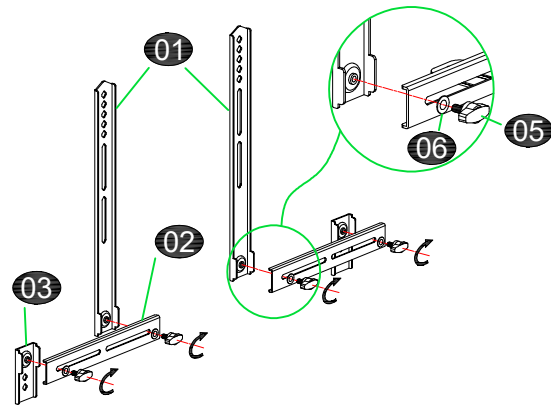
j x2

STEP 1 Pre-assemble Soundbar Brackets

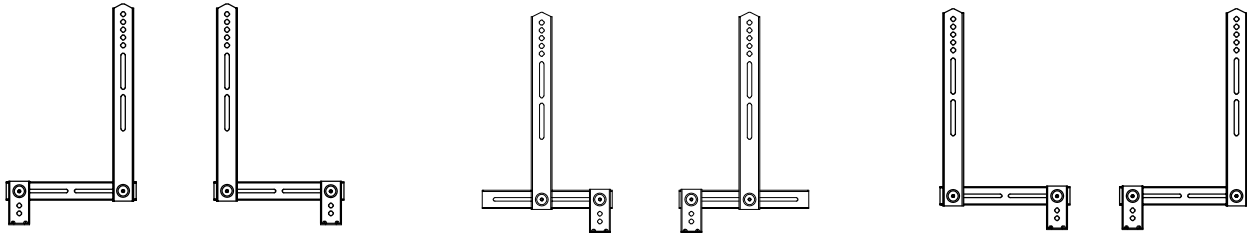
Option 1 Soundbar Brackets with Hook 04



Option 2 Soundbar Brackets with Hook 03



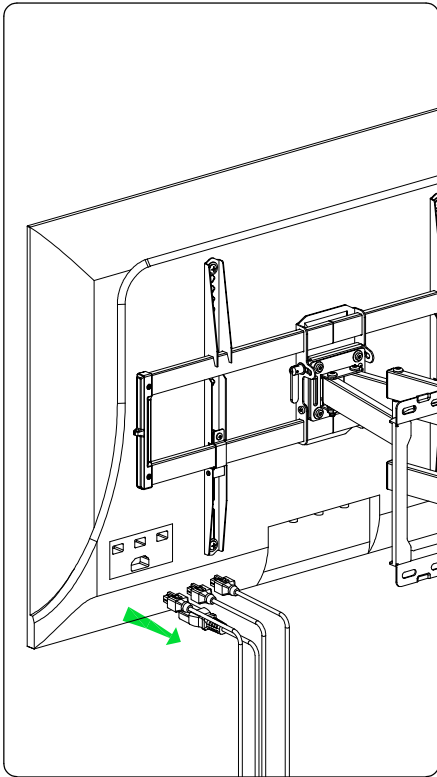
The Effects of Brackets Assemble



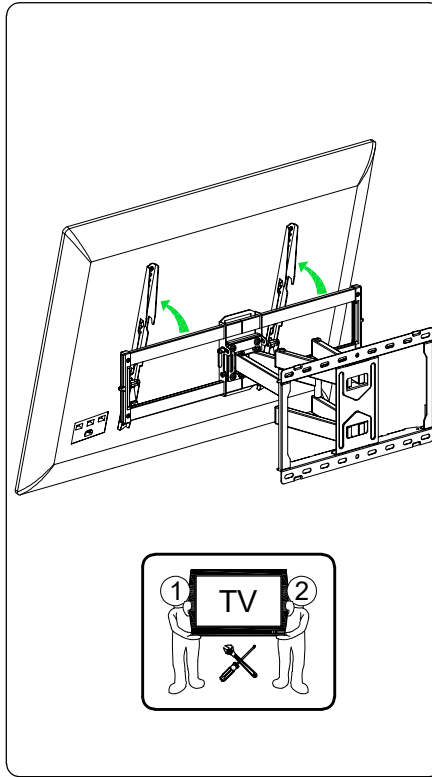
Tips: The horizontal distance of the brackets depends on your TV VESA.

STEP 2 Disassemble Your TV from the Mount

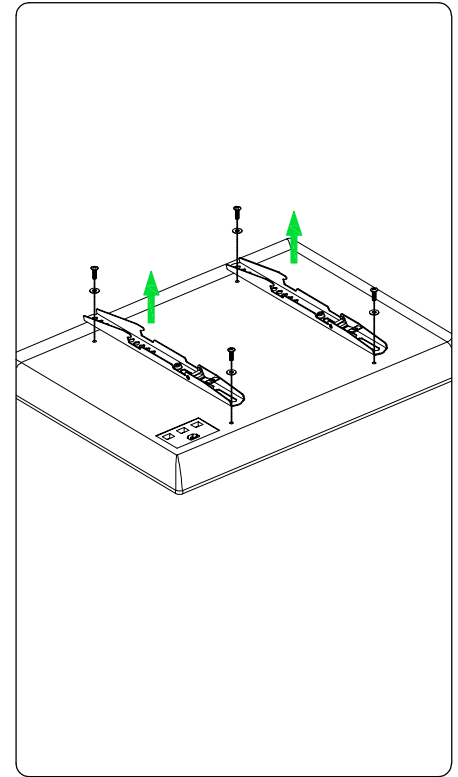
I Remove all cables



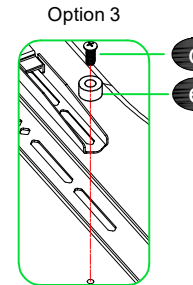
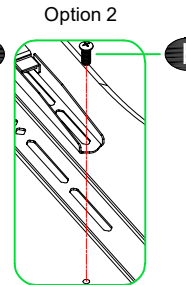
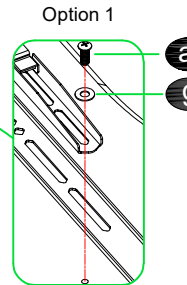
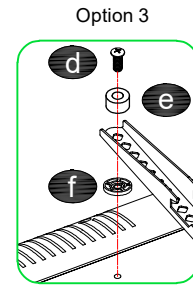
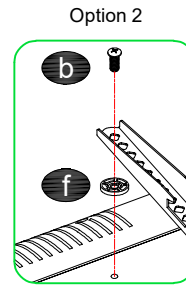
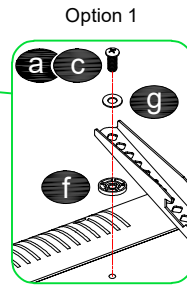
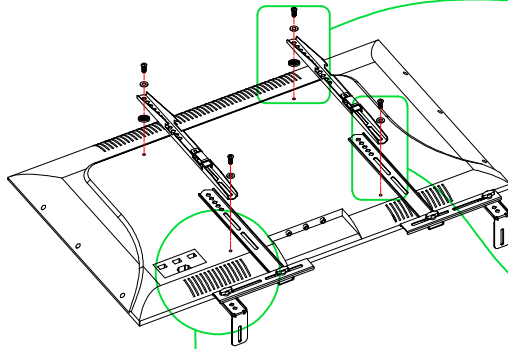
II Take off the TV from the mount



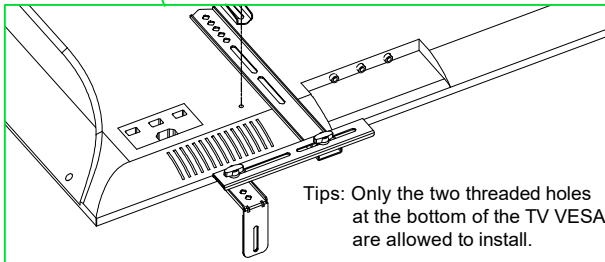
III Remove the TV brackets from your TV



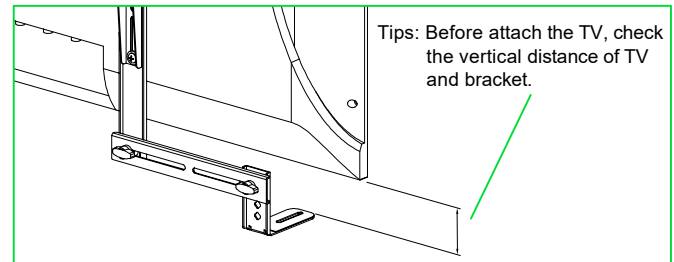
STEP 3 Attach the Assembled Soundbar Brackets Unit to Your TV



Tips: No need to use washer (g) when using M8 screw (b/d).

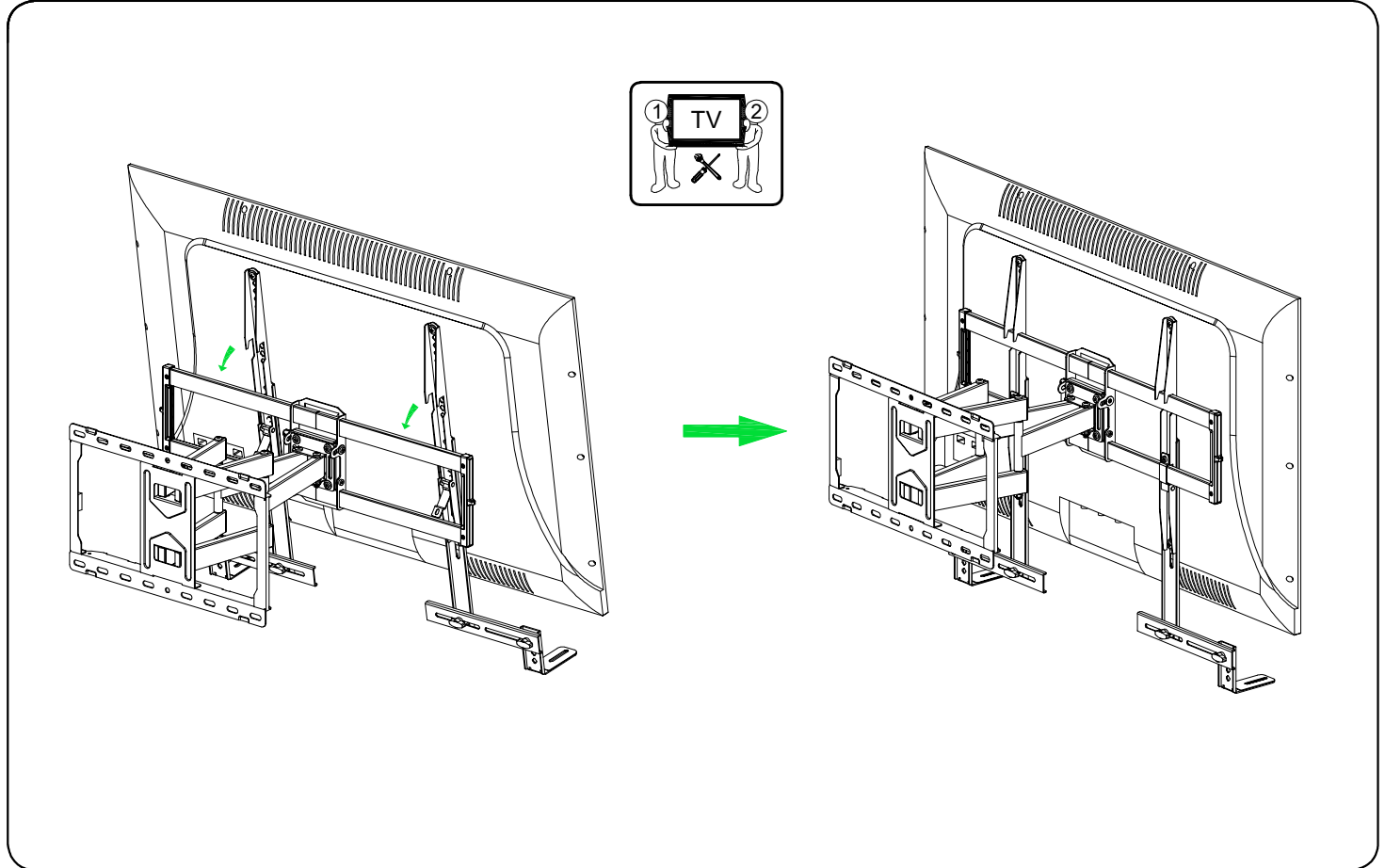


Tips: Only the two threaded holes at the bottom of the TV VESA are allowed to install.



Tips: Before attach the TV, check the vertical distance of TV and bracket.

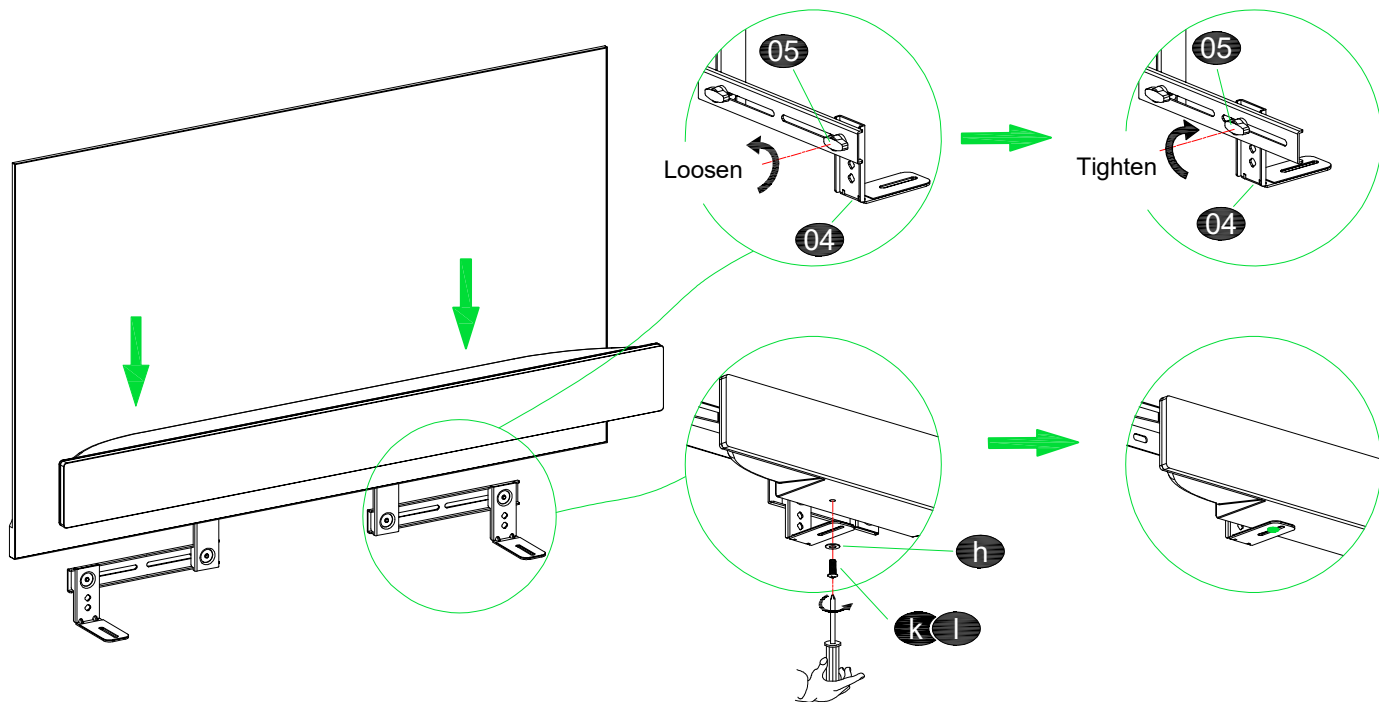
STEP 4 Hang the Whole Assembled Unit to the Mount



STEP 5-1 Option 1 Attach Soundbar for back mounting holes

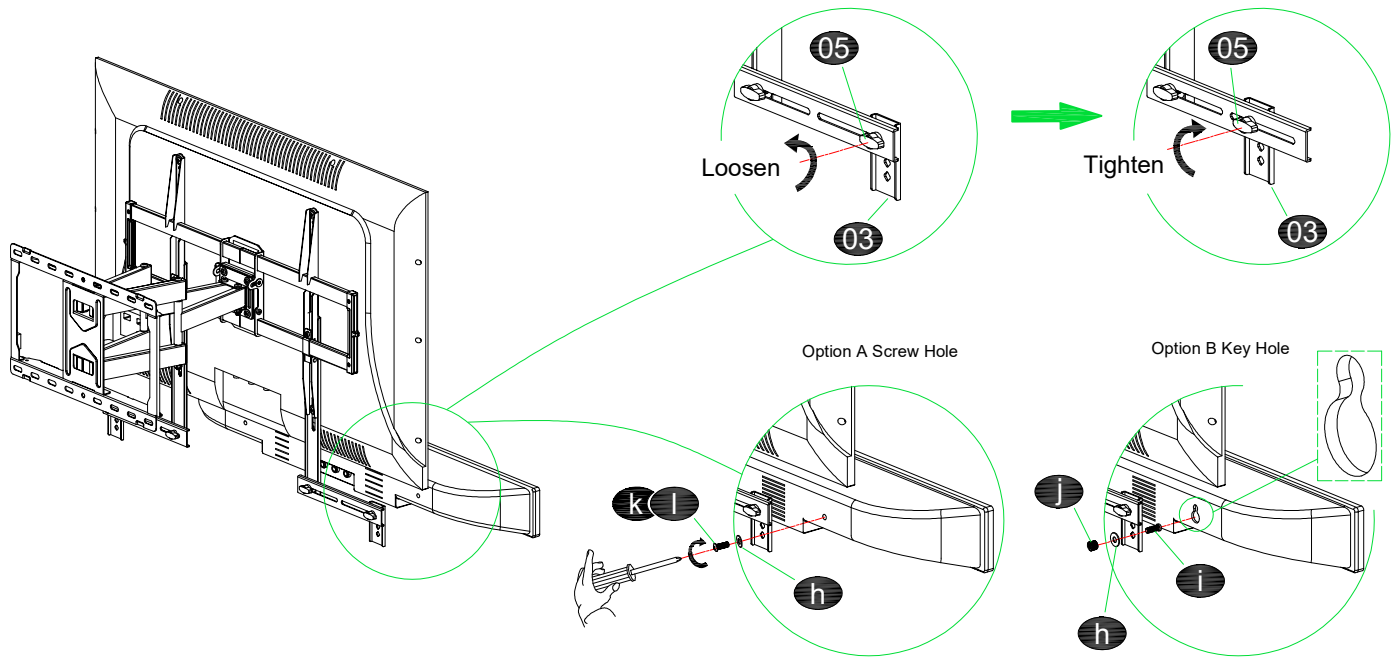
Put the soundbar on the hook **04** (you can adjust the position of hook), and fully fasten bolts **k** **l** and washers **h** of soundbar as shown below.

Tips: The position of hook depends on the bottom hole of soundbar.



STEP 5-2 Option 2 Attach Soundbar for bottom mounting holes

Attach the soundbar to the hook **03** (you can adjust the position of hook), and fully fasten bolts **i** **k** **l** & nuts **j** and washers **h** of soundbar as shown below.
Tips: The position of hook depends on the back hole of soundbar.



STEP 5-3 Option 3 Attach Soundbar without assembly holes

Put the soundbar on the hook **04** (you can adjust the position of hook), and use hook and Loop to secure the soundbar as shown below.

Tips: The position of hook depends without assembly holes.

