

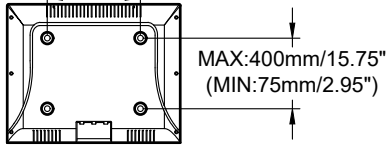

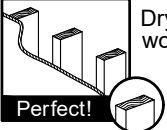
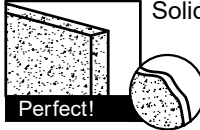









# XTM090-15/WTM009-01 INSTRUCTION MANUAL

For 26-60" TV

If you have any questions along the way, just message to us.  
We're ready to help!

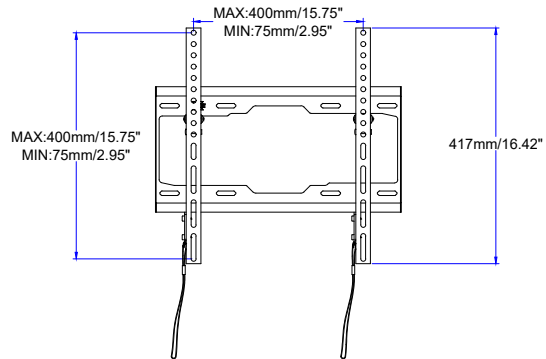
**⚠ CAUTION: PLEASE READ ENTIRE MANUAL PRIOR TO USE AND SAVE THESE INSTRUCTIONS**

Before getting started, let's check below lists to make sure it is just right for you!

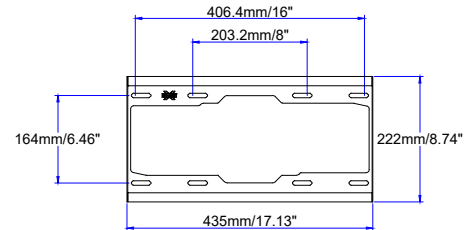
<p>Check your TV VESA is within Min and Max size</p>	<p><b>1</b></p> <p>MAX:400mm/15.75" (MIN:75mm/2.95")</p>  <p>MAX:400mm/15.75" (MIN:75mm/2.95")</p> <p>No? This mount is NOT compatible. Yes? Perfect !</p>
<p>Does your TV (including accessories) weigh MORE than 99 lbs. (45 kg)?</p>	<p><b>2</b></p>  <p>99 LBS (45 kg)</p> <p>No? Perfect – you may continue. Yes? This mount is NOT compatible.</p> <div style="border: 1px solid black; padding: 5px;"> <p><b>⚠ CAUTION:</b> DO NOT exceed the maximum weight indicated. This mounting system is intended for use only with the maximum weights indicated. Use with products heavier than the maximum weights indicated may result in collapse of the mount and its accessories, causing possible injury.</p> </div>
<p>What is your wall made of?</p>	<p><b>3</b></p> <div style="display: flex; justify-content: space-between;"> <div style="width: 30%;">  <p>Drywall with wood studs? Perfect!</p> </div> <div style="width: 20%; text-align: center;"> <p><b>CAUTION:</b> DO NOT install into drywall alone</p> </div> <div style="width: 30%;">  <p>Solid concrete Perfect!</p> </div> <div style="width: 15%; text-align: center;"> <p><b>?</b> Unsure? Message to us via Amazon.</p> </div> </div>
<p>Do you have all the tools needed? (NOT INCLUDE)</p>	<p><b>4</b></p> <div style="display: flex; justify-content: space-around; align-items: flex-end;"> <div style="text-align: center;">  Tape Measure         </div> <div style="text-align: center;">  Pencil         </div> <div style="text-align: center;">  Screw driver         </div> <div style="text-align: center;">  Electric Drill         </div> <div style="text-align: center;">  Socket Wrench 3/8 in. (10 mm)         </div> <div style="border: 1px solid black; padding: 5px; text-align: center;"> <p><b>Wood Stud Install</b></p>  Stud Finder         </div> <div style="border: 1px solid black; padding: 5px; text-align: center;"> <p><b>Concrete Install</b></p>  Wood Drill Bit 1/8 in. (3 mm)         </div> <div style="border: 1px solid black; padding: 5px; text-align: center;"> <p><b>Concrete Install</b></p>  Masonry Drill Bit 3/8 in. (10 mm)         </div> <div style="text-align: center;">  Hammer         </div> </div>
<p>CAUTION</p>	<p><b>5</b></p> <ul style="list-style-type: none"> <li>• This product is designed for use in wood stud, solid concrete walls - DO NOT install into drywall alone</li> <li>• The wall must be capable of supporting five times the weight of the TV and mount itself</li> <li>• Do not use this product for any purpose not explicitly specified by manufacturer</li> <li>• Manufacturer is not responsible for damage or injury caused by incorrect assembly or use</li> </ul>

# Dimensions

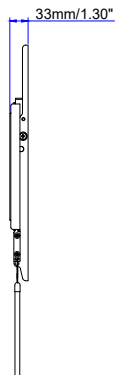
## TV INTERFACE



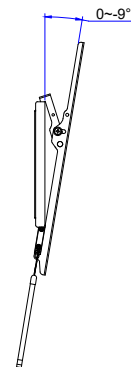
## WALL PLATE



## SIDE VIEW



## SIDE VIEW



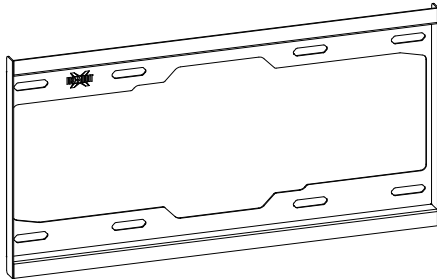
# Parts and Hardware

**⚠ WARNING:** This product contains small items that could be a choking hazard if swallowed. Before starting assembly, verify all parts are included and undamaged. If any parts are missing or damaged, do not return the damaged item to your dealer; contact Customer Service.  
Never use damaged parts!

**📄 NOTE:** Not all hardware included will be used.

## Parts and Hardware for STEP 1

**Wall plate**



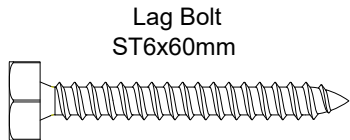
**01** x1

**TV Brackets**



**02** x2

## Parts and Hardware for STEP 2



Lag Bolt  
ST6x60mm

**A1** x4

Washers  
M6



**A2** x4

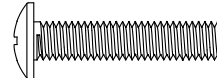
### TV Screws

M6x15mm



**D1** x4

M6x30mm



**D2** x4

Washers  
M6



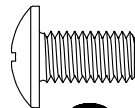
**B1** x4

Spacers  
10mm



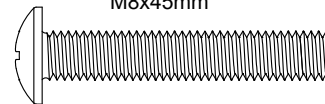
**B2** x8

M8x15mm



**E1** x4

M8x45mm



**E2** x4

Level



**B3** x1

Spacers  
5mm



**C** x8

M4x30mm



**F** x4

### Concrete wall anchor (NOT INCLUDED)

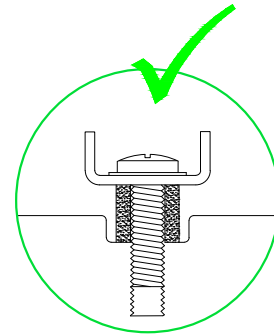
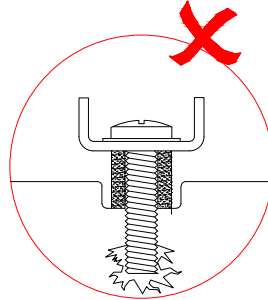
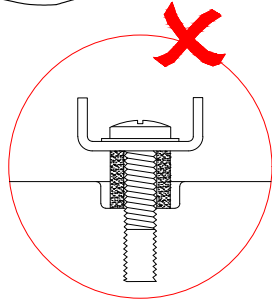
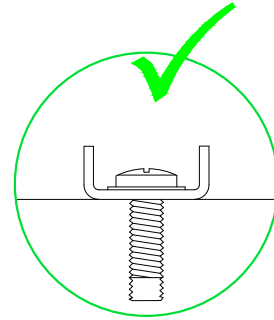
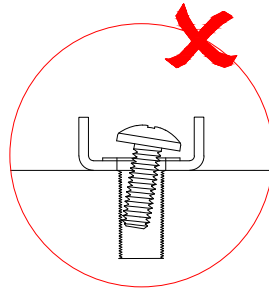
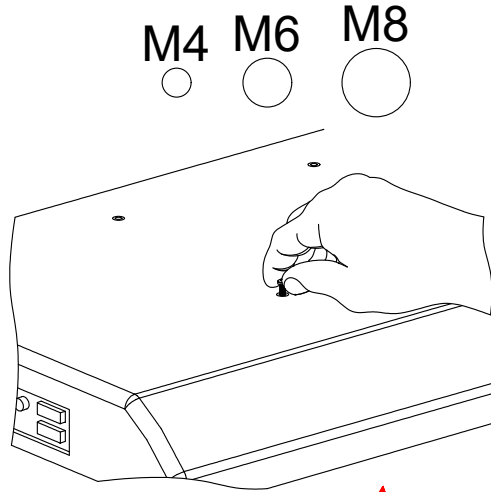


Concrete Wall Anchor  
Ø10x50mm 4pcs

Contact us at telephone 1-800-460-0956 or message to us to have these additional pieces shipped directly to you.

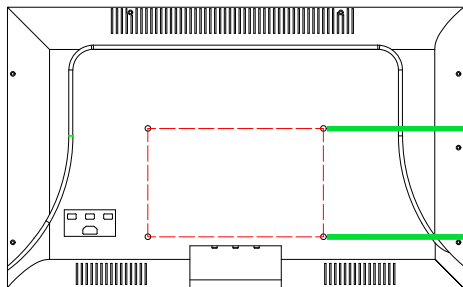
# STEP 1 Attach Brackets to TV

## 1-1 Select TV Screws

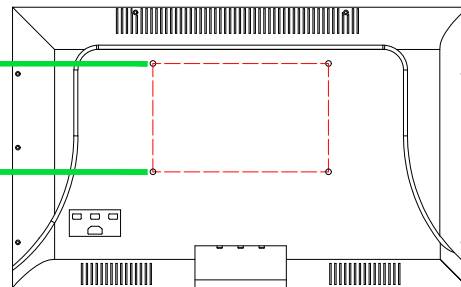


## 1-2 Figure out the suitable position of brackets

LOW MOUNTING HOLES

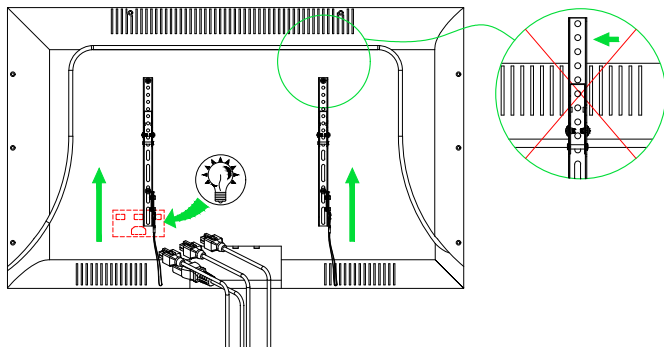


HIGH MOUNTING HOLES

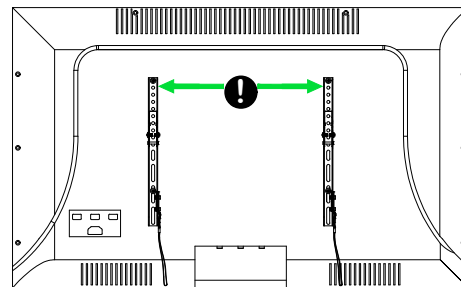


02

 INSTALL UP/DOWN IF NEEDED

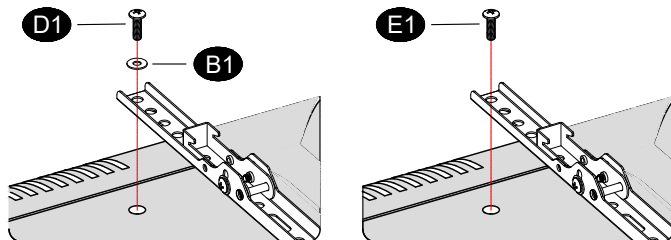


 TV BRACKETS MUST BE LEVEL

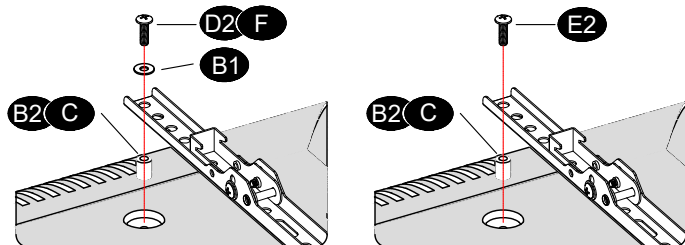


### 1-3 Need Spacer?

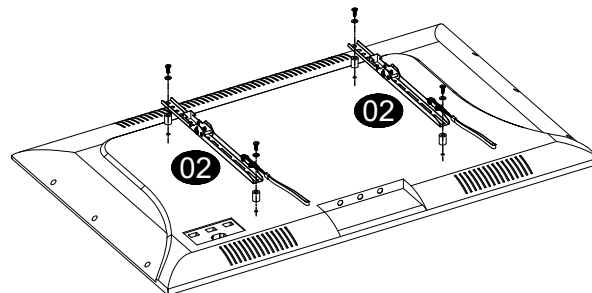
**I** No, choose suitable screws and washers.



**II** Yes, choose suitable screws, washers and spacers.



### 1-4 Attach the TV Plate



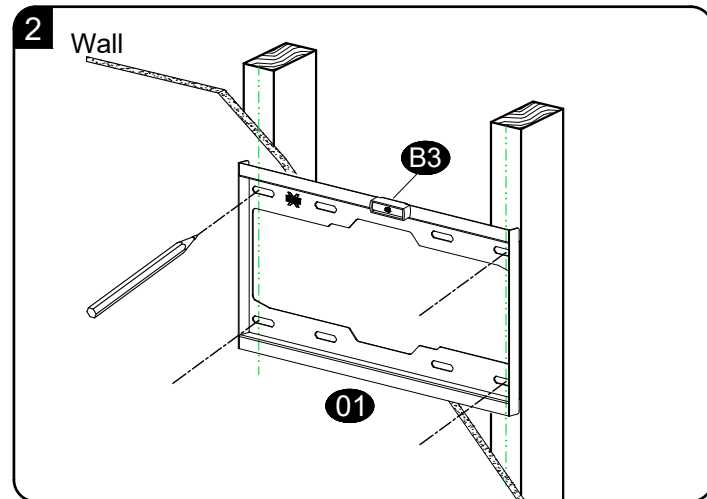
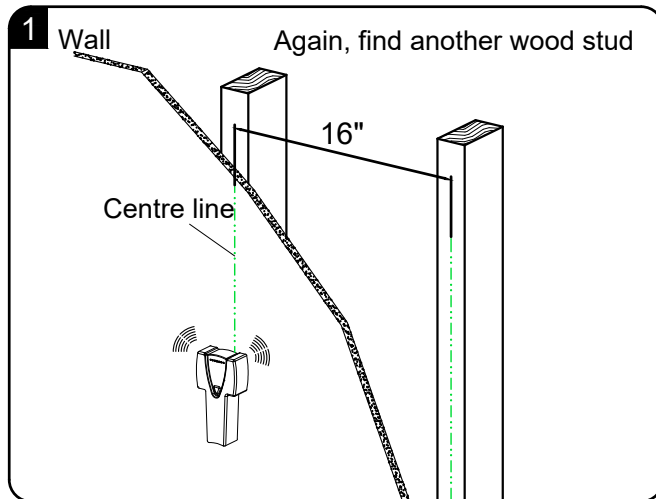


## STEP 2A Attach Wall Plate to Wall Wood Stud Option

⚠ **CAUTION:** Avoid potential personal injury or property damage!

- Drywall covering the wall, must not exceed 5/8 in. (16 mm)
- Minimum **wood stud** size: common 2 x 4 in. (51 x 102 mm) nominal 1½ x 3½ in. (38 x 89 mm)
- Maximum horizontal space between fasteners: 16 in. (406.4 mm)
- Stud center must be verified

1. Locate your studs. Verify and mark the center of the stud by finding the stud edges using a thin nail, or an edge to edge stud finder.
2. Position the Wall plate **01** at your desired height and line up the holes with your stud center line. Level the Wall plate **01** and mark the hole locations.



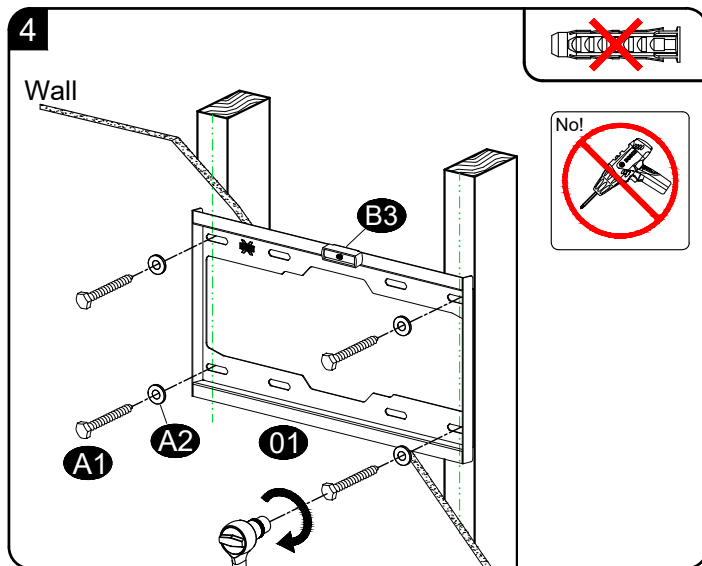
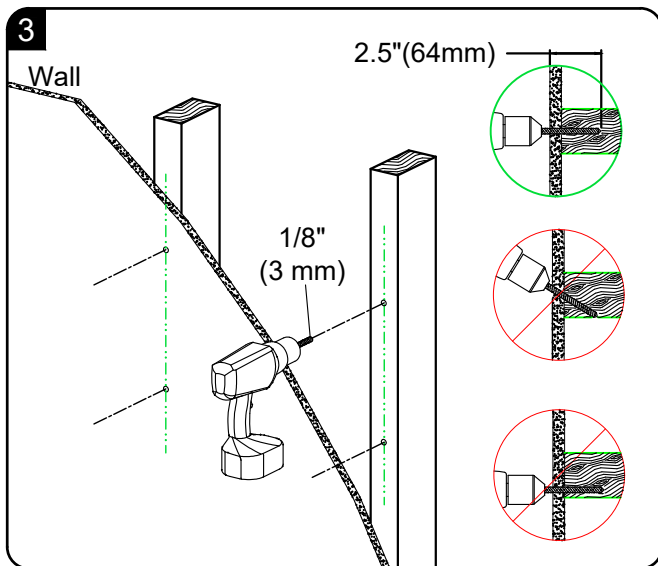
3. Drill pilot holes using a 1/8 in. (3 mm) diameter drill bit.

**!** IMPORTANT: Pilot holes must be drilled to a depth of 2.5 in. (64 mm). Be sure to drill into the center of the studs.

4. Install wall plate **01** using lag bolts **A1** and washers **A2**. Tighten the lag bolts only until they are pulled firmly against the wall plate.

**!** CAUTION: Improper use could reduce the holding power of the lag bolt.  
**DO NOT over-tighten the lag bolts.**

Go to STEP 3 on PAGE 13.

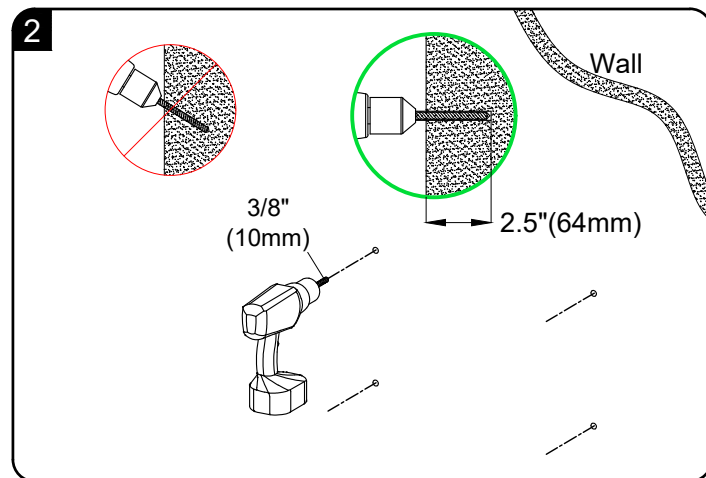
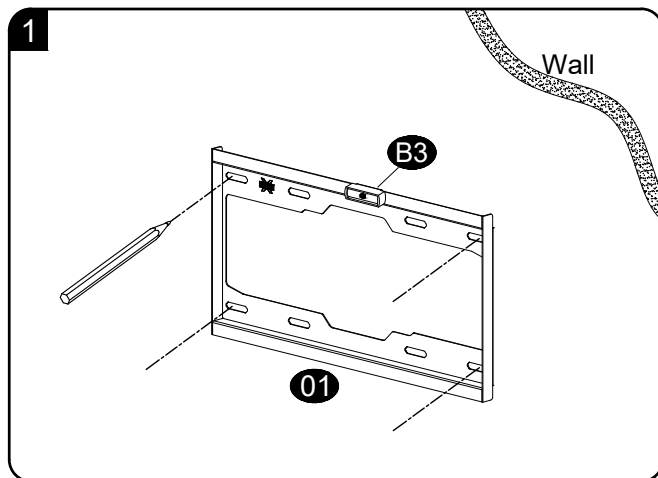


## STEP 2B Attach Wall Plate to Solid Concrete Wall

**⚠ CAUTION:** Avoid potential personal injury or property damage!

- Mount the wall plate assembly unit directly onto the concrete surface
- Minimum **solid concrete** thickness: 8 in. (203 mm)

1. Position the Wall plate **01** on the wall at your desired height. Level the Wall plate **01** and mark the hole locations.
2. Drill four pilot holes using a 3/8 in. (10 mm) diameter masonry drill bit.
  - ⚠ IMPORTANT:** Pilot holes must be drilled to a depth of 2.5 in. (64 mm).

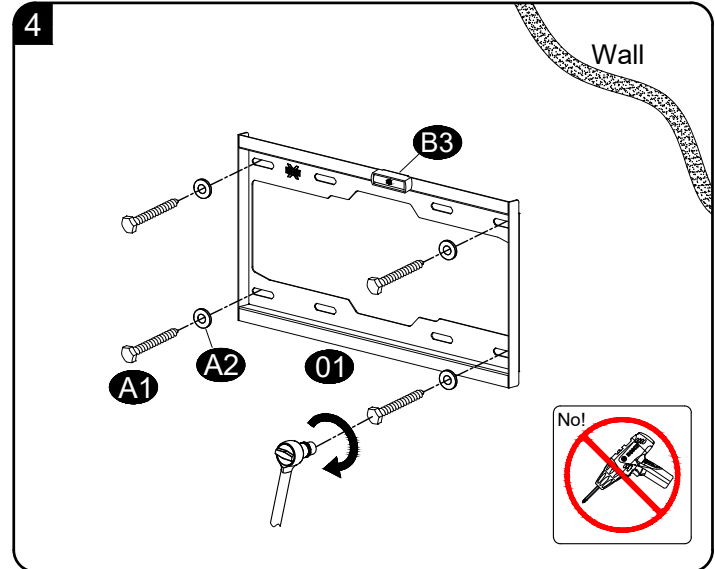
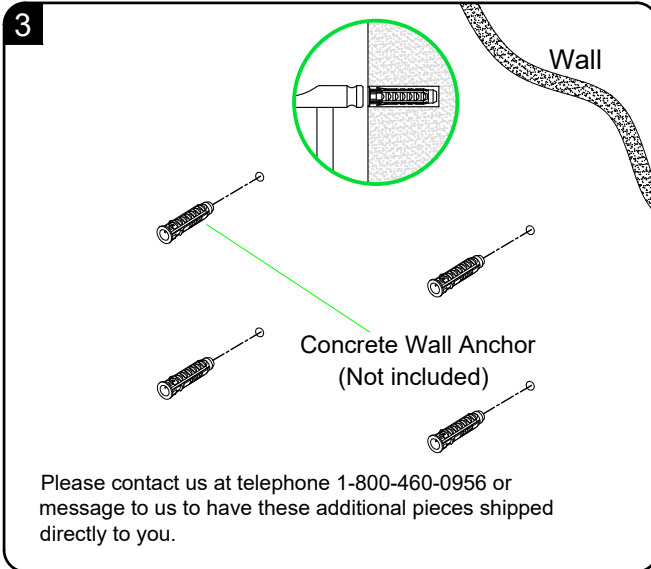


### 3. Insert anchors.

▲ CAUTION: Be sure the anchors are seated flush with the concrete surface.

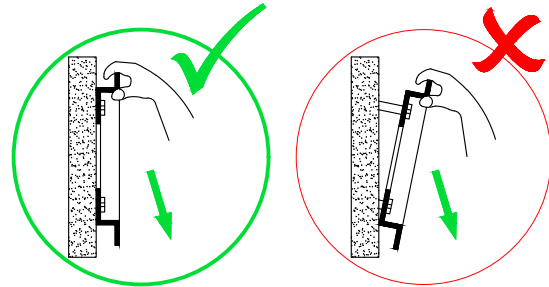
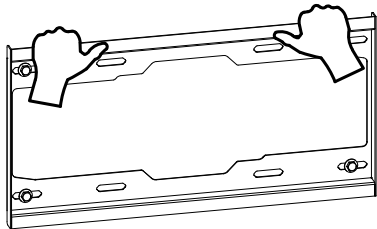
### 4. Insert wall plate **01** using lag bolts **A1** and washers **A2** . Tighten the lag bolts only until they are pulled firmly against the wall plate.

▲ CAUTION: Improper use could reduce the holding power of the lag bolt.  
**DO NOT over-tighten the lag bolts.**



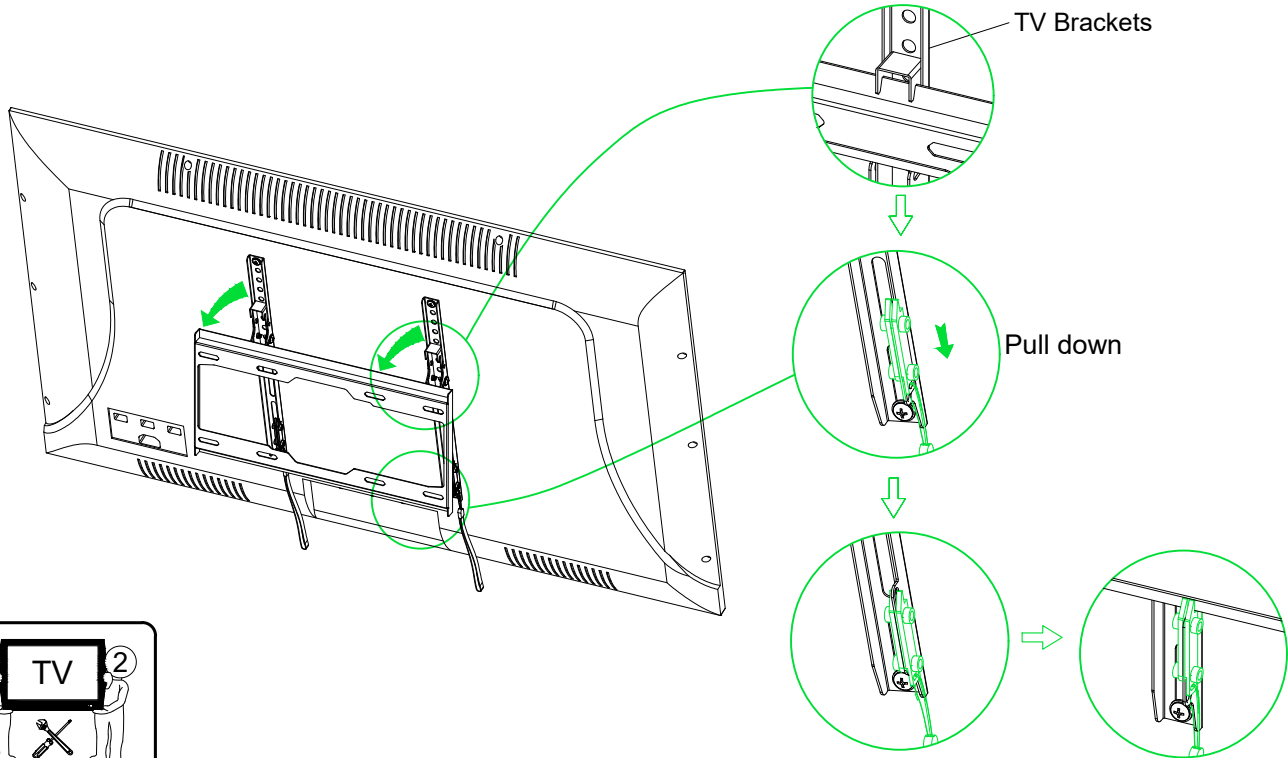
## STEP 3 Wall Plate Installation Integrity Test

Before hanging TV, please try to pull the mount to make sure that it has been assembled on the wall tightly.

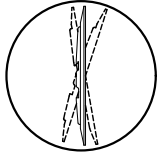


99 LBS (45 kg)

# STEP 4 Hang and Secure TV to Wall Plate

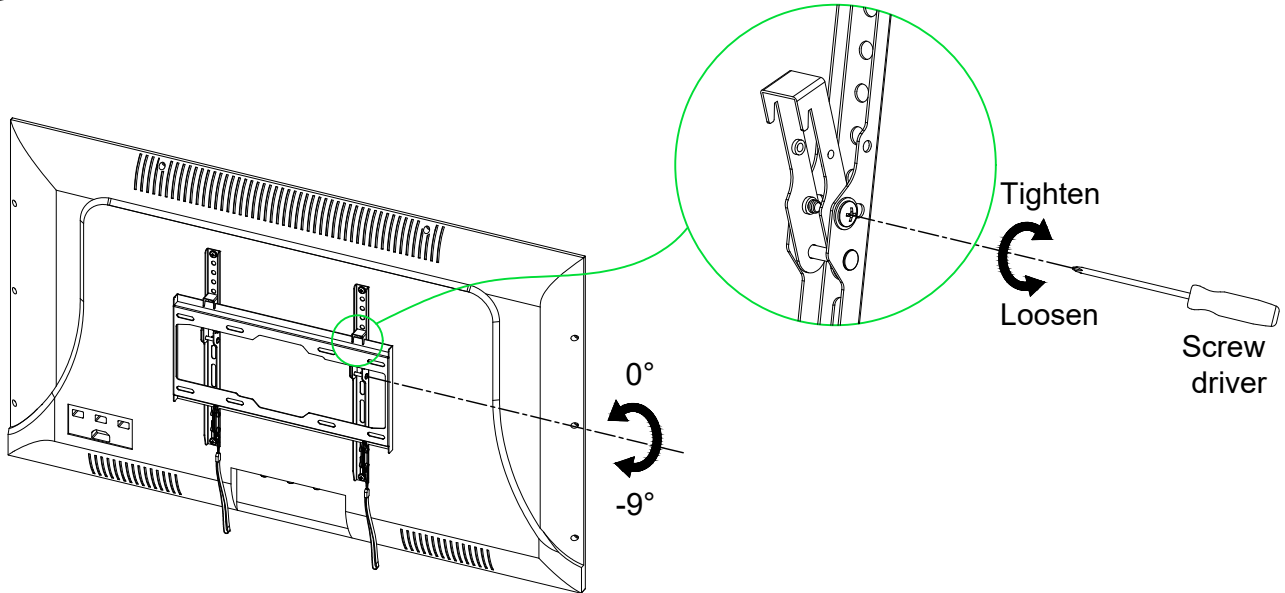


## STEP 5 Adjustments

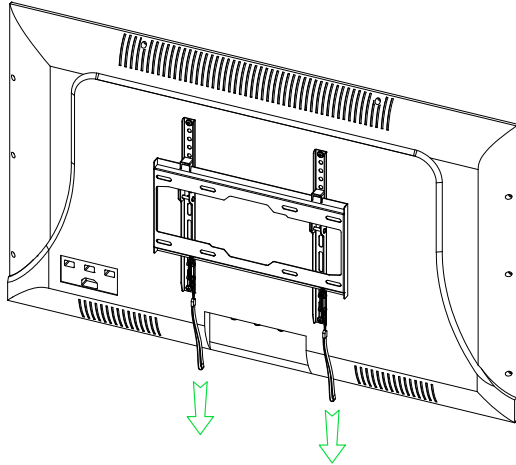


Tilting angle adjustment ( $0^{\circ}$ / $-9^{\circ}$ ):

Pull TV to your desired angle then fasten tilting bolts with Screw driver.



## STEP 6 Take Down the TV from the Mount



Pull down  
the straps

