

XTM006-1 INSTRUCTION MANUAL

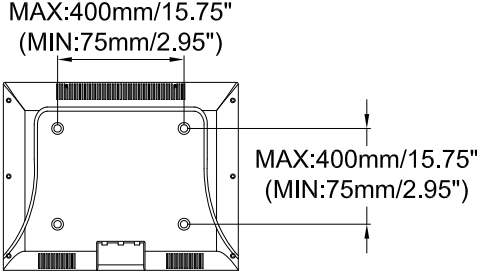

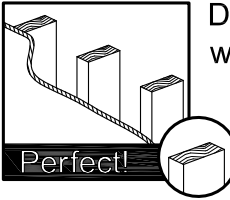
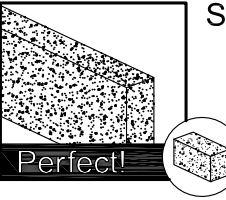
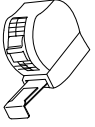

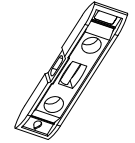
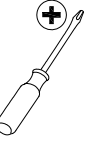



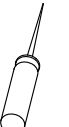

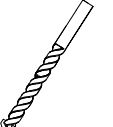

For 26-55" TV

If you have any questions along the way, just give us a call
1-800-460-0956 or mail to customerservice@x-mount.com.

We're ready to help!

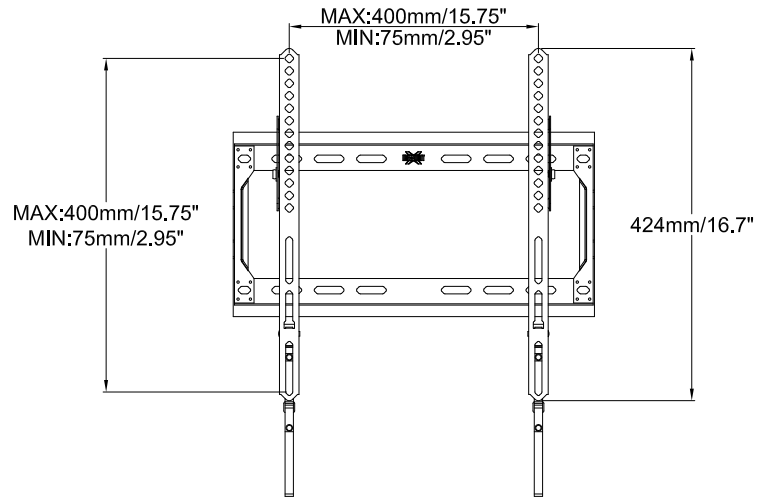
⚠ CAUTION: PLEASE READ ENTIRE MANUAL PRIOR TO USE AND SAVE THESE INSTRUCTIONS.

Before getting started, let's check below lists to make sure it is just right for you!

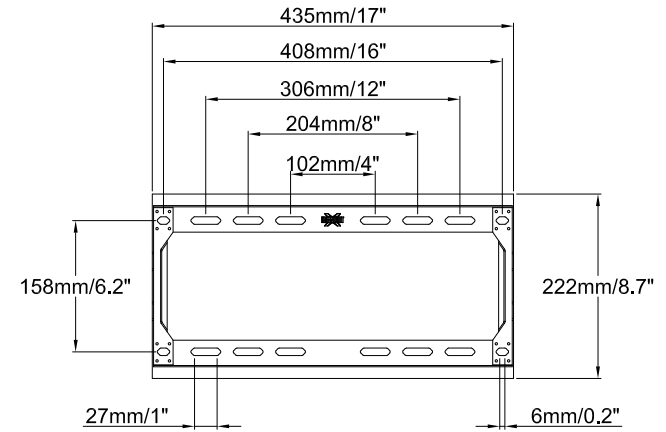
<p>1</p> <p>Check your TV VESA is within Min and Max size</p>	 <p>MAX:400mm/15.75" (MIN:75mm/2.95")</p> <p>No? This mount is NOT compatible.</p> <p>Yes? Perfect !</p>
<p>2</p> <p>Does your TV (including accessories) weigh MORE than 99 lbs. (45 kg)?</p>	 <p>Max: 99 LBS (45 kg)</p> <p>No? Perfect – you may continue.</p> <p>Yes? This mount is NOT compatible.</p> <div data-bbox="1377 614 2128 829" style="border: 1px solid black; padding: 5px;"> <p>⚠ CAUTION: DO NOT exceed the maximum weight indicated. This mounting system is intended for use only with the maximum weights indicated. Use with products heavier than the maximum weights indicated may result in collapse of the mount and its accessories, causing possible injury.</p> </div>
<p>3</p> <p>What is your wall made of?</p>	<div style="display: flex; justify-content: space-between;"> <div data-bbox="454 861 840 1061">  <p>Drywall with wood studs? Perfect!</p> </div> <div data-bbox="896 901 1108 1013" style="border: 1px solid black; padding: 5px; text-align: center;"> <p>⚠ CAUTION: DO NOT install into drywall alone</p> </div> <div data-bbox="1176 861 1579 1061">  <p>Solid concrete Perfect!</p> </div> <div data-bbox="1646 877 2128 1045" style="border: 1px solid black; padding: 10px; text-align: center;"> <p>? Unsure? Call Customer Service: 1-800-460-0956</p> </div> </div>
<p>4</p> <p>Do you have all the tools needed? (Not included)</p>	<div style="display: flex; justify-content: space-around; align-items: flex-end;"> <div style="text-align: center;">  Tape Measure </div> <div style="text-align: center;">  Pencil </div> <div style="text-align: center;">  Level </div> <div style="text-align: center;">  Screw driver </div> <div style="text-align: center;">  Electric Drill </div> <div style="text-align: center;">  Socket Wrench 1/2"(13mm) </div> <div style="writing-mode: vertical-rl; transform: rotate(180deg);"> Wood Stud Install </div> <div style="text-align: center;">  Stud Finder </div> <div style="text-align: center;">  Awl </div> <div style="text-align: center;">  5/32"(4mm) Wood Drill Bit </div> <div style="writing-mode: vertical-rl; transform: rotate(180deg);"> Concrete Install </div> <div style="text-align: center;">  3/8"(10mm) Masonry Drill Bit </div> <div style="text-align: center;">  Hammer </div> </div>
<p>5</p> <p>Caution</p>	<ul style="list-style-type: none"> • This product is designed for use in wood stud, solid concrete walls - DO NOT install into drywall alone • The wall must be capable of supporting five times the weight of the TV and mount itself • Do not use this product for any purpose not explicitly specified by manufacturer • Manufacturer is not responsible for damage or injury caused by incorrect assembly or use

Product dimensions:

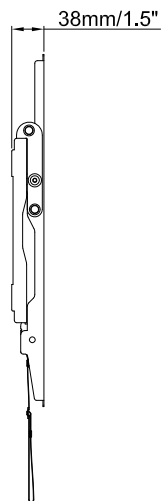
TV INTERFACE



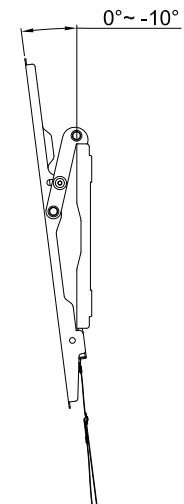
WALL PLATE



SIDE VIEW



SIDE VIEW



STEP 1 Attach Brackets to TV

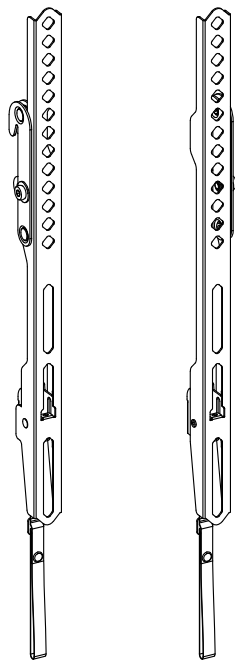
Parts and Hardware

⚠ WARNING: This product contains small items that could be a choking hazard if swallowed. Before starting assembly, verify all parts are included and undamaged. If any parts are missing or damaged, do not return the damaged item to your dealer; contact Customer Service.

Never use damaged parts!

📄 NOTE: Not all hardware included will be used.

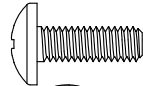
TV Brackets



04 x1 **05** x1

TV Screws

M4x12mm



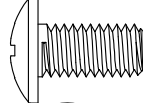
a x4

M4x30mm



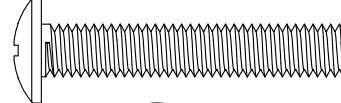
d x4

M6x12mm



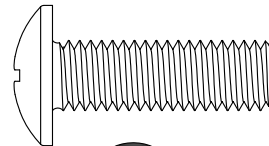
b x4

M6x35mm



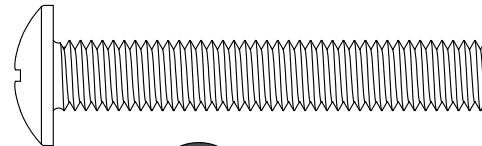
e x4

M8x25mm



c x4

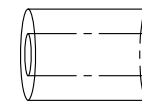
M8x50mm



f x4

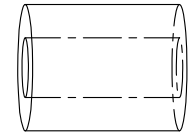
Spacers

M6x17mm



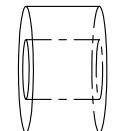
g x4

M8x22mm



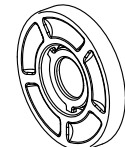
h x4

10mm



i x4

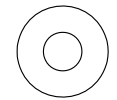
2.5mm



j x8

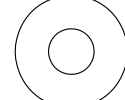
Washers

M4



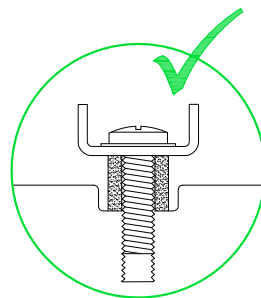
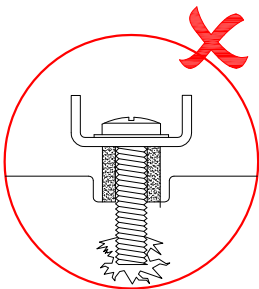
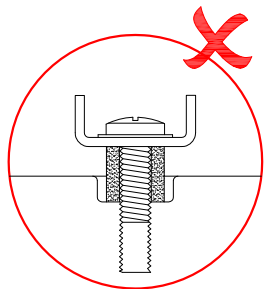
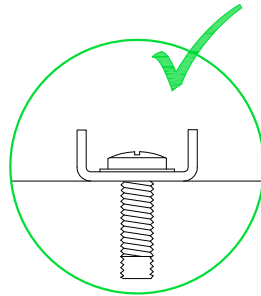
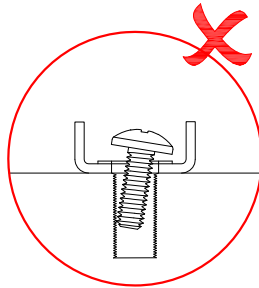
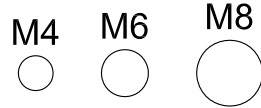
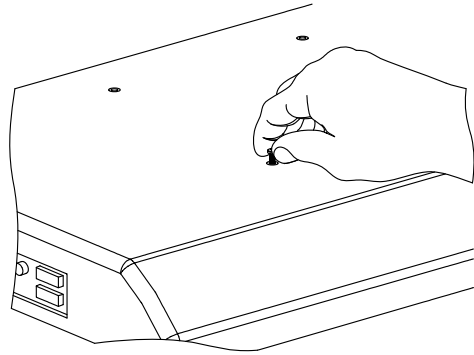
k x4

M6



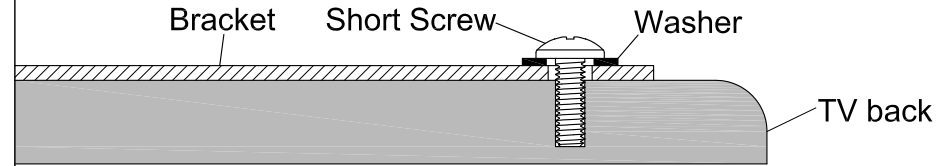
l x4

1-1 Select TV Screws

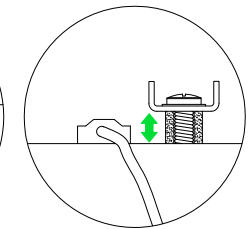
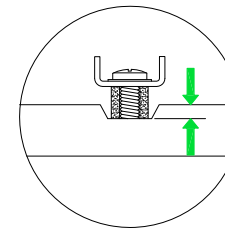
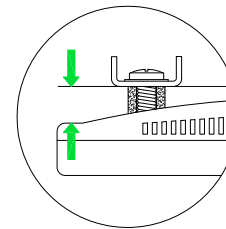
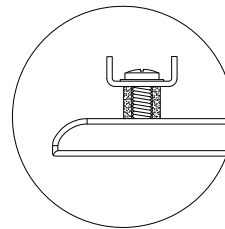
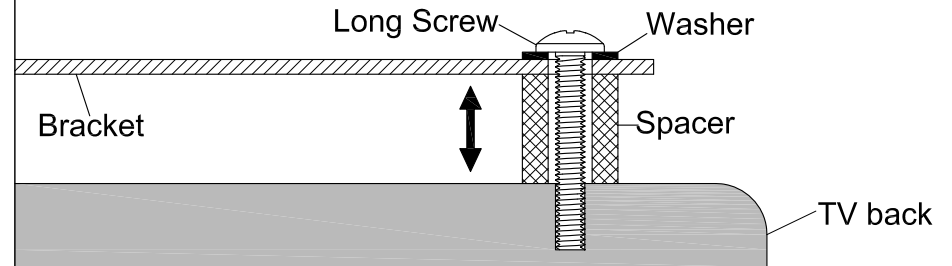


1-2 Need Spacer?

I Yes, go to PAGE 6 **I** for detailed combination.

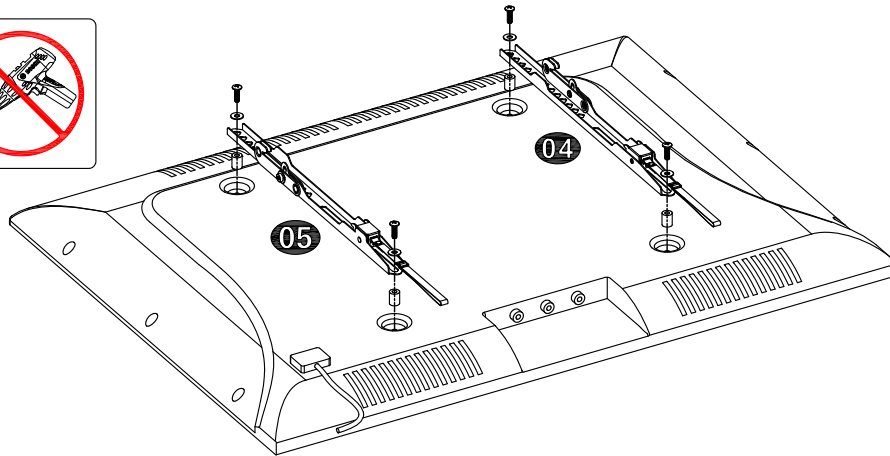
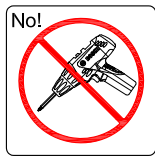


II No, go to PAGE 6 **II** for detailed combination.

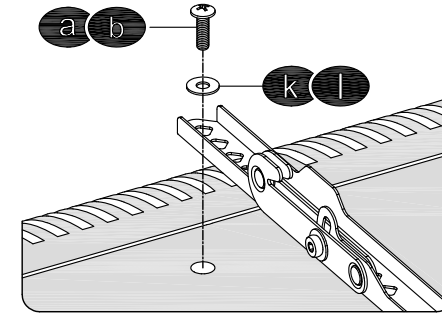


Highly recommended to add spacers for more spacing between wall mount and wall.

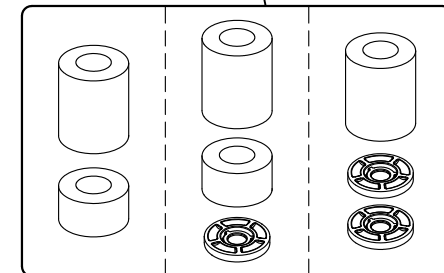
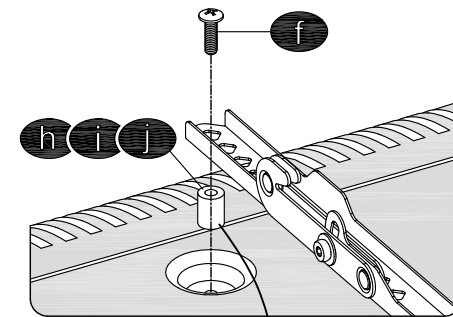
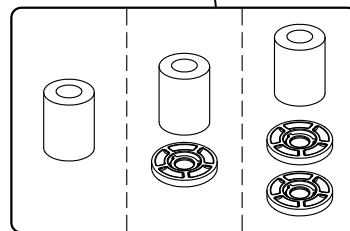
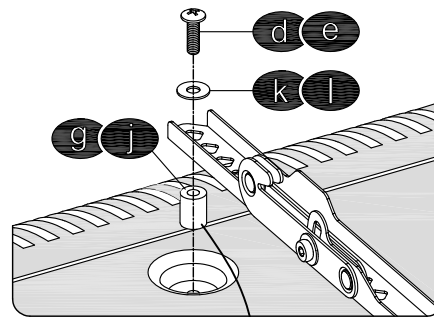
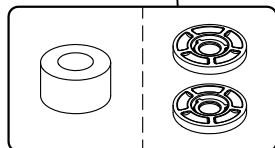
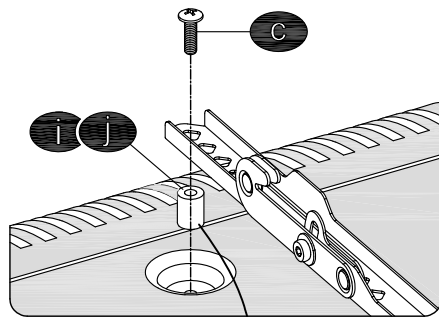
1-3 Attach the TV Brackets



I Screw and washer





II Spacer(s), screw and washer



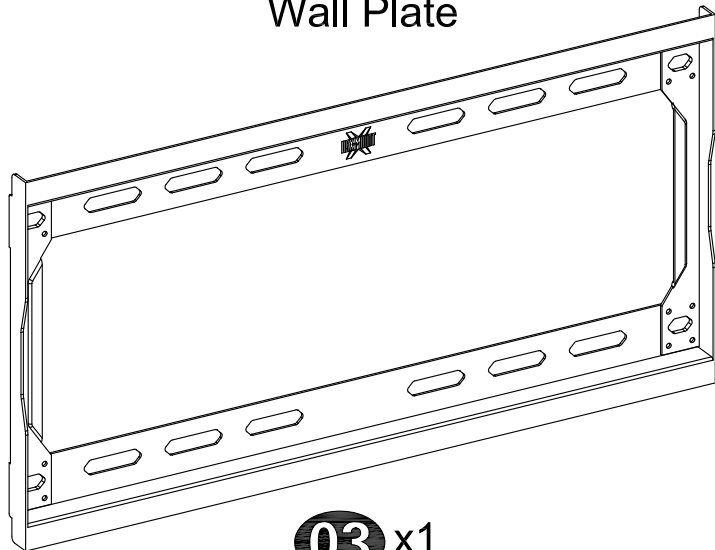
Tips: If you need to combine M6/M8 (c/e/f) screw with 2.5mm spacer (j), you have to remove the inner circle.

STEP 2 Attach Wall Plate to Wall

-  For wood stud installation, follow STEP 2A on PAGE 8
-  For concrete installation, follow STEP 2B on PAGE 11

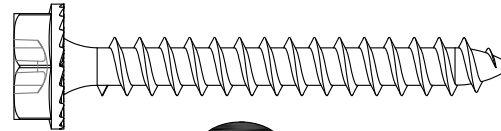
Parts and Hardware

Wall Plate



03 x1

Lag Bolt M7x55mm



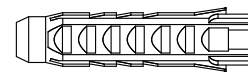
01 x4

Allen Key



02 x1

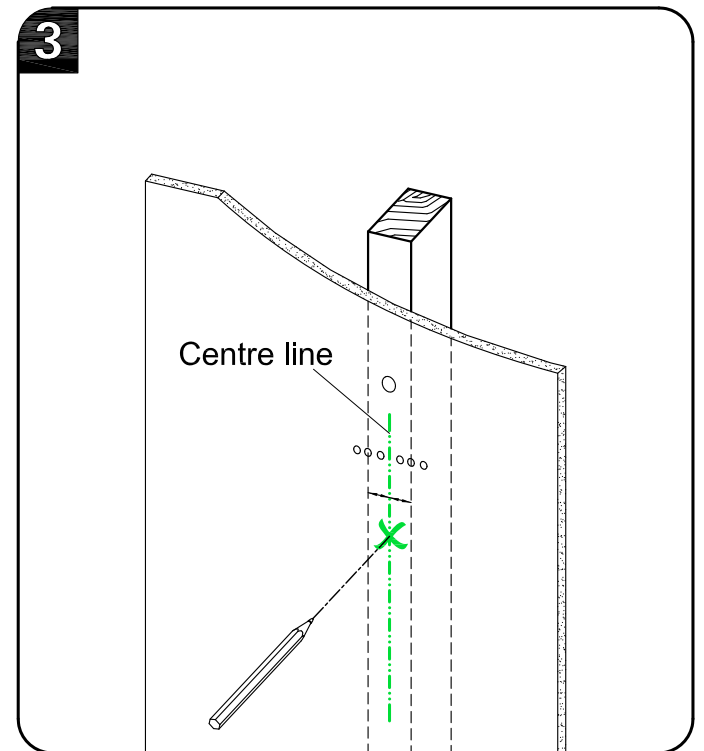
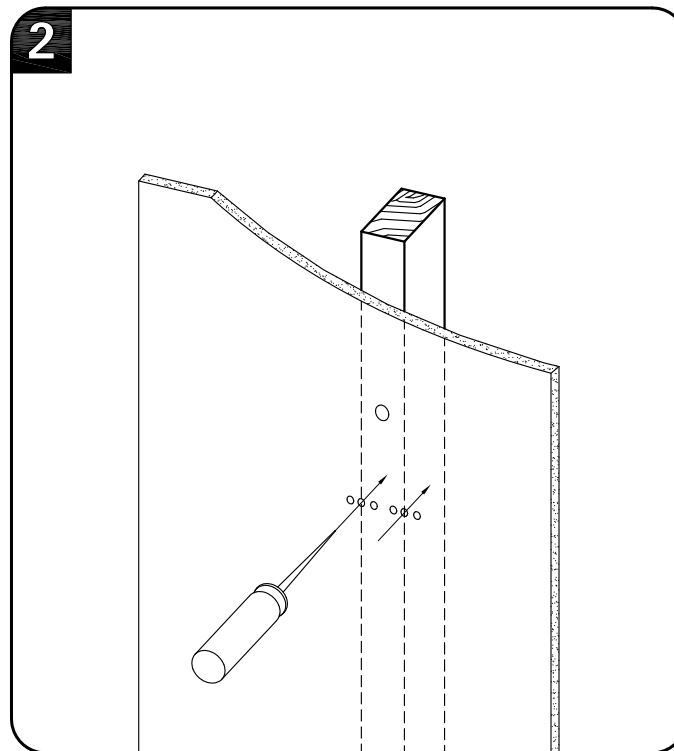
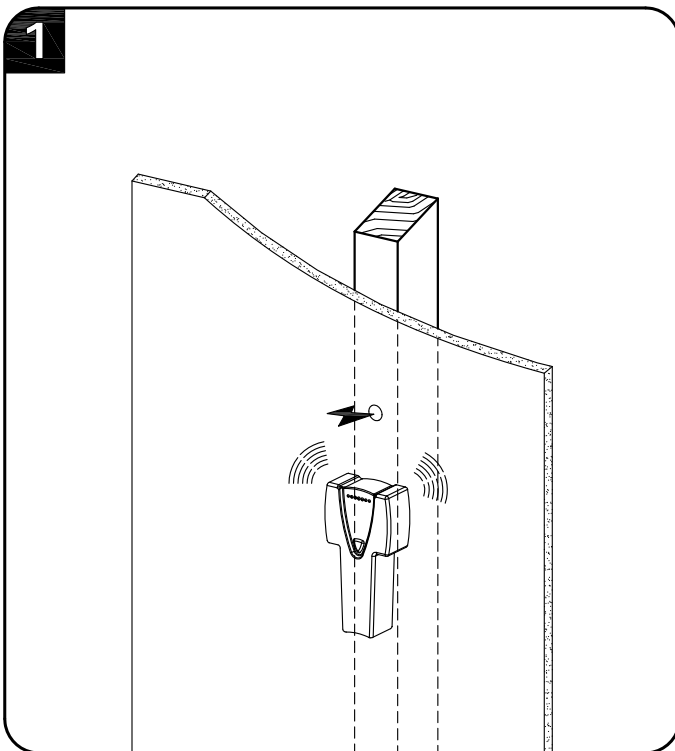
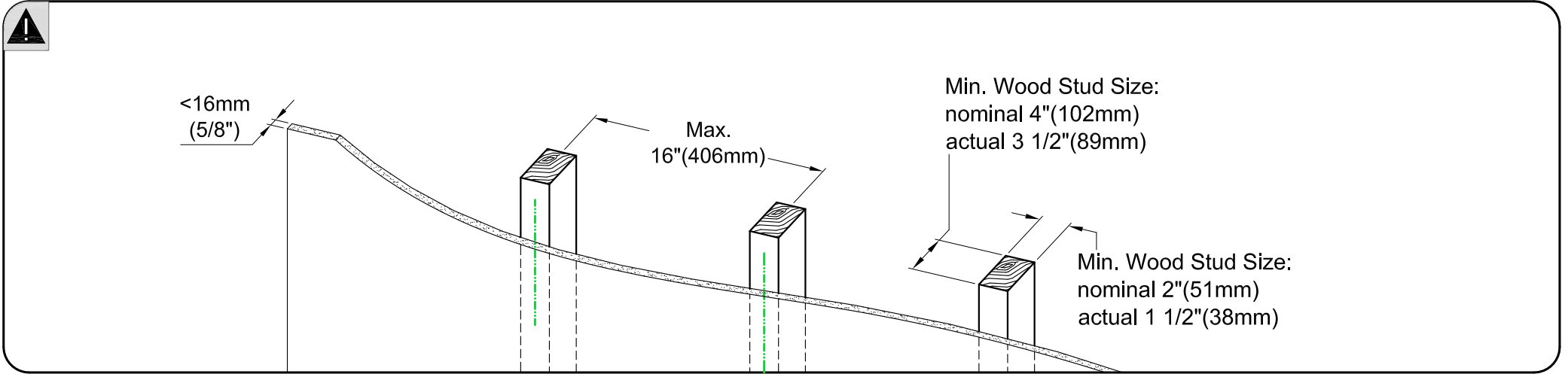
Concrete wall anchor (NOT INCLUDED)



Concrete Wall Anchor
4pcs

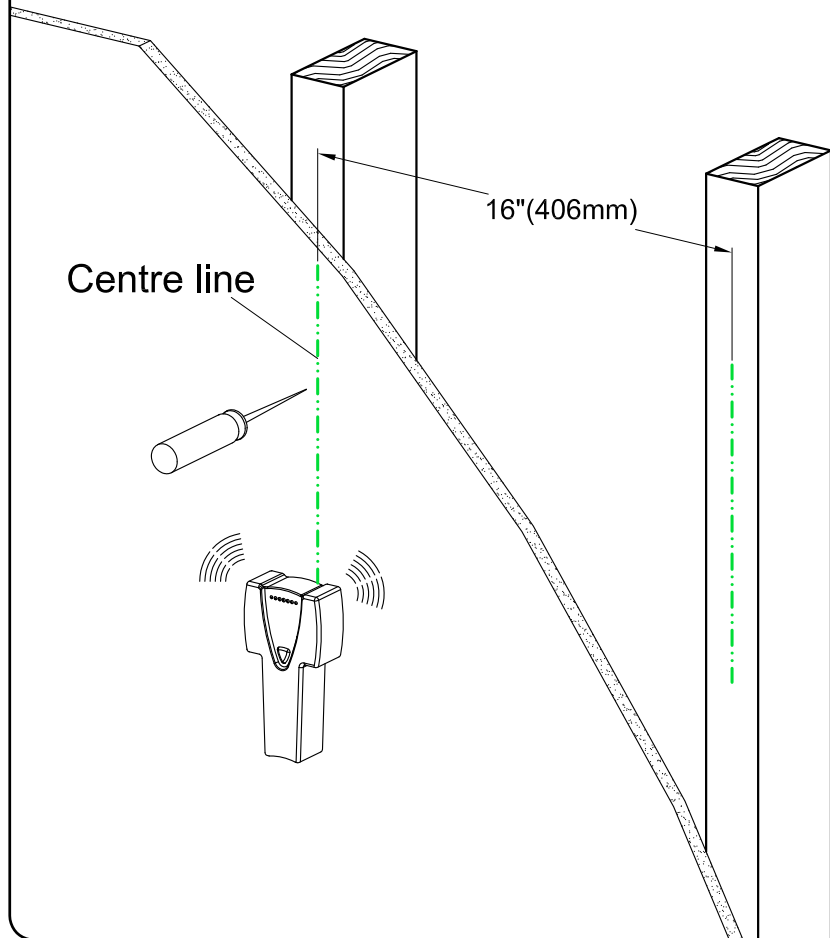
Contact us at telephone 1-800-460-0956 (USA)
or mail to customerservice@x-mount.com. to have
these additional pieces shipped directly to you.

STEP 2A Wood Stud Installation

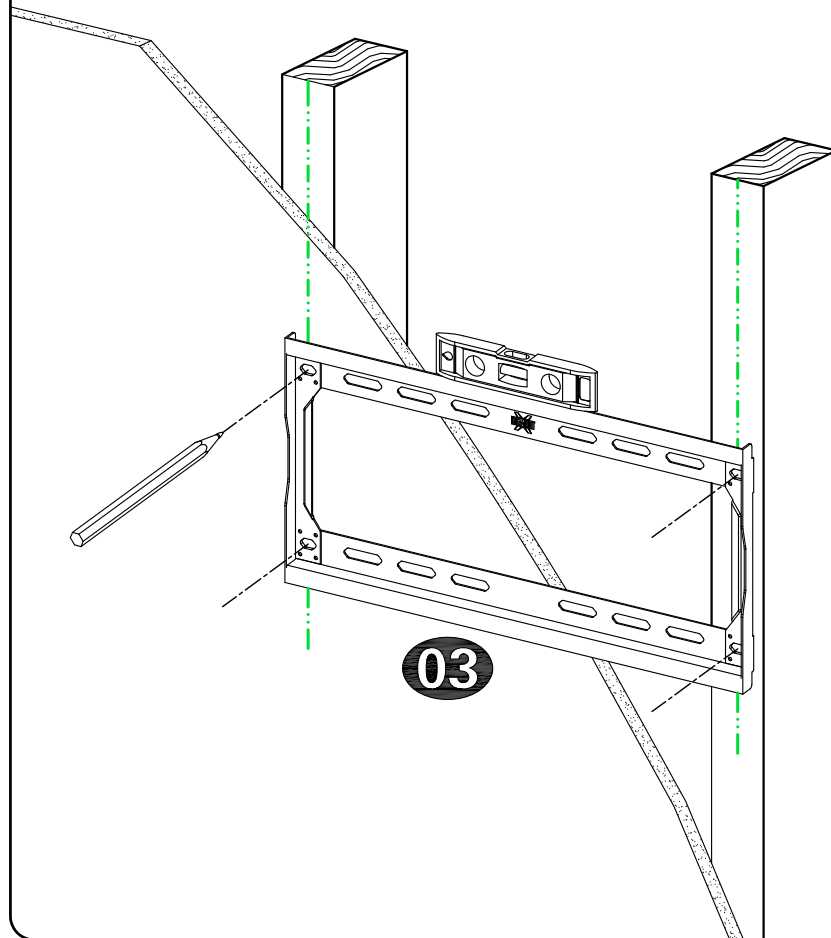


4

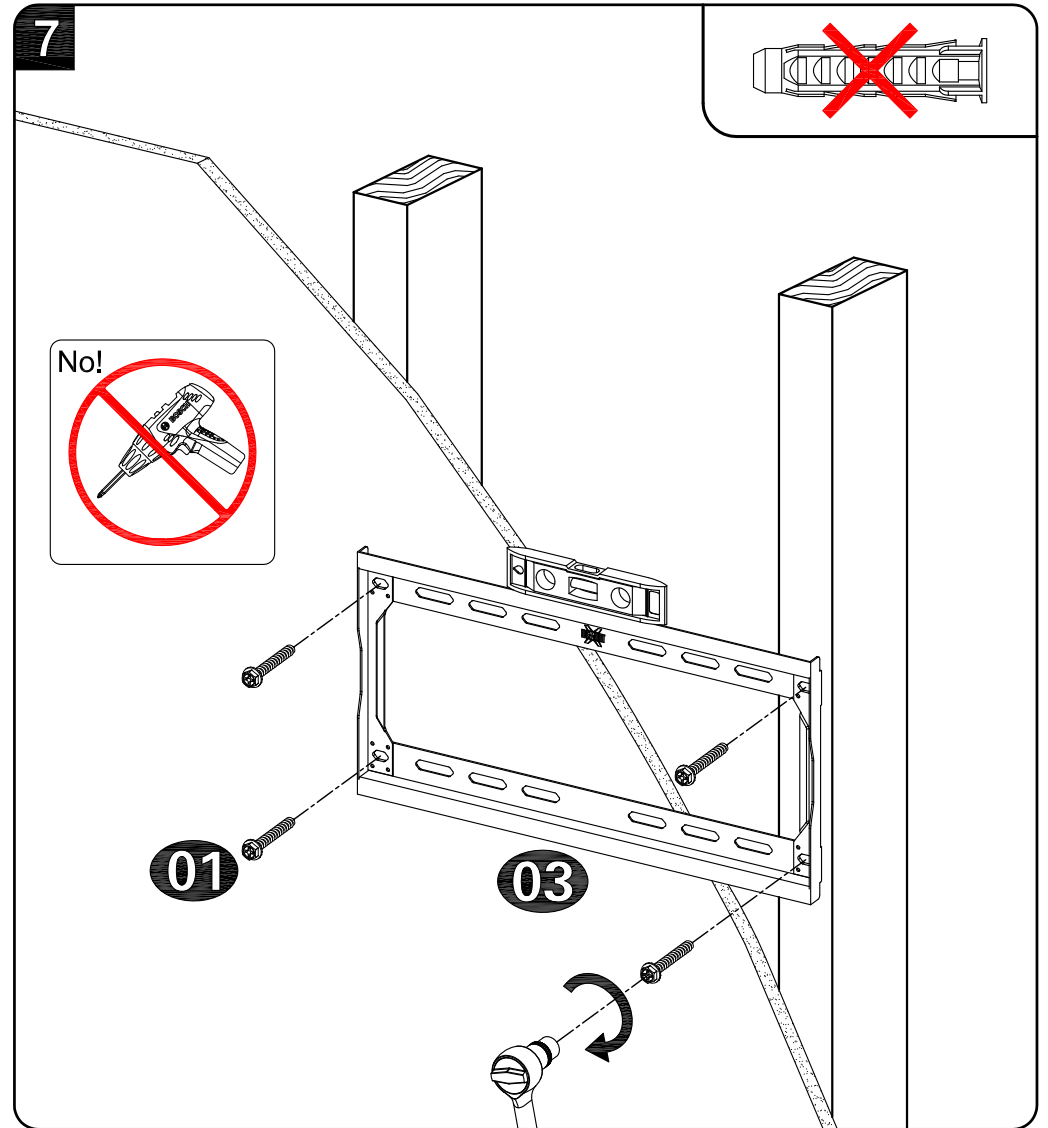
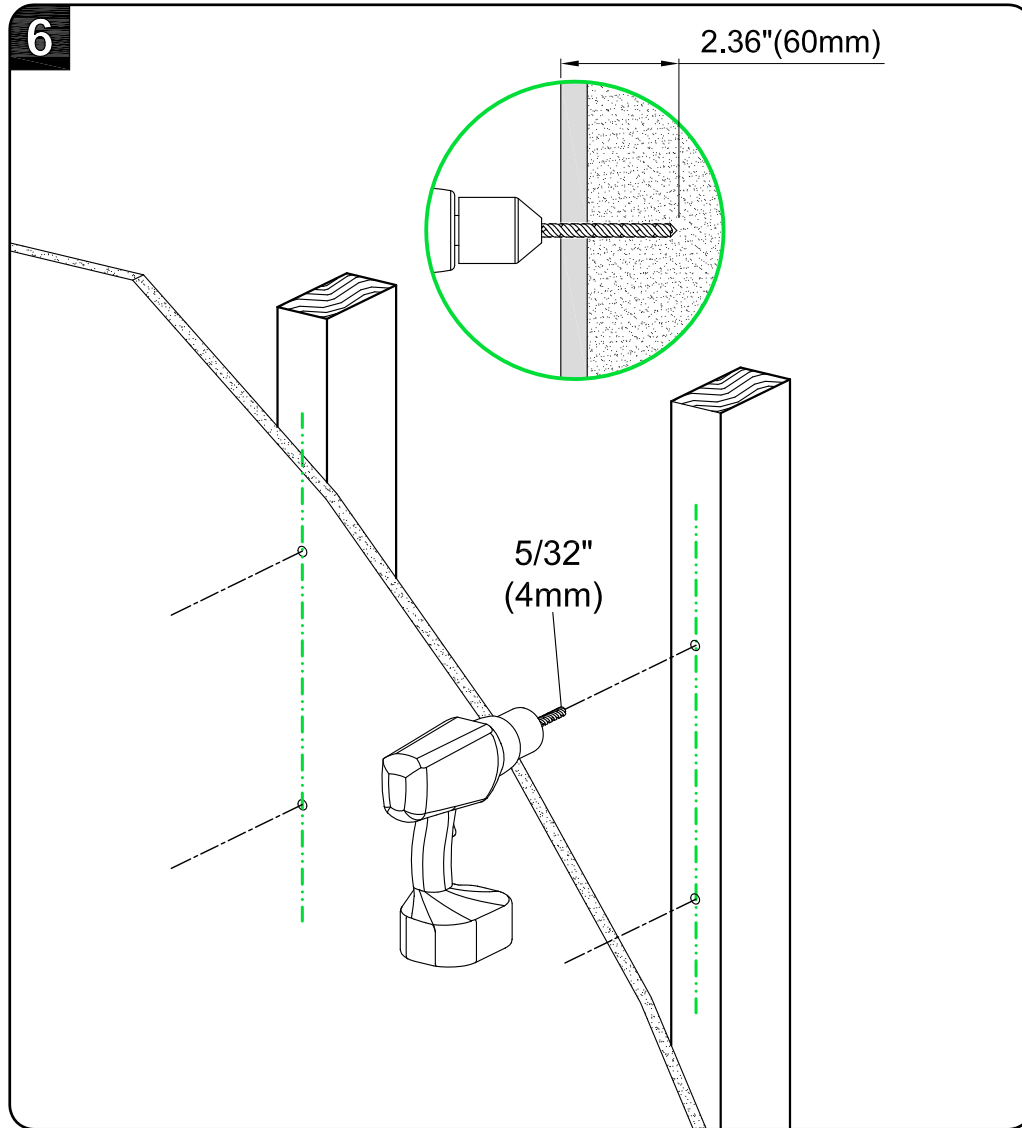
Again, find another wood stud



5

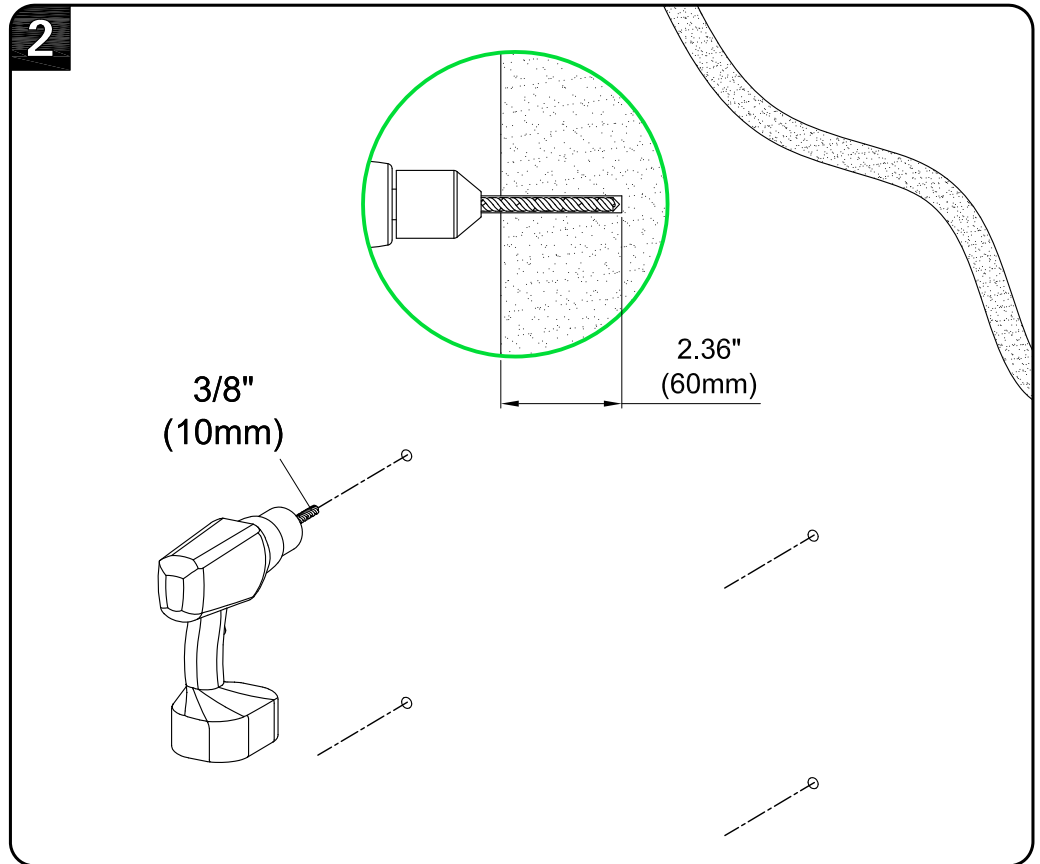
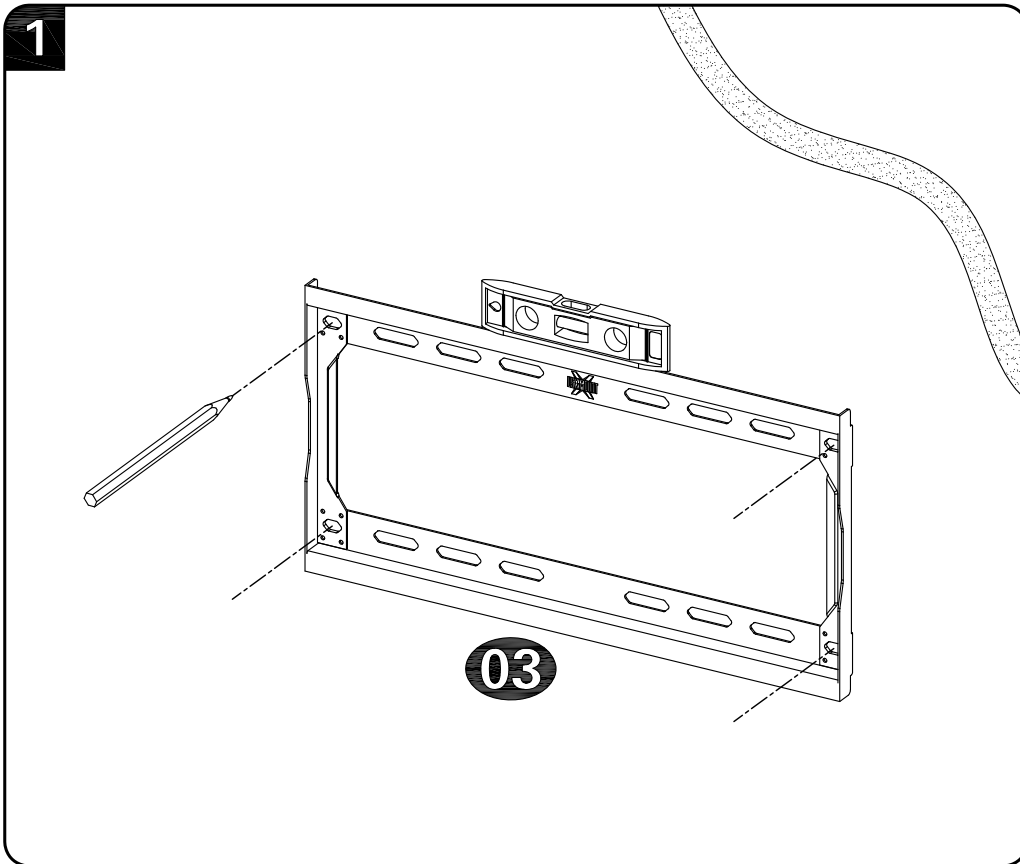
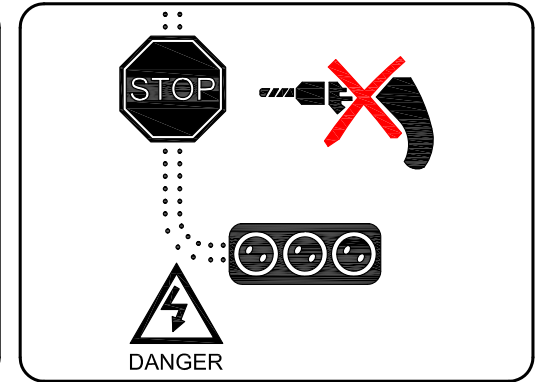
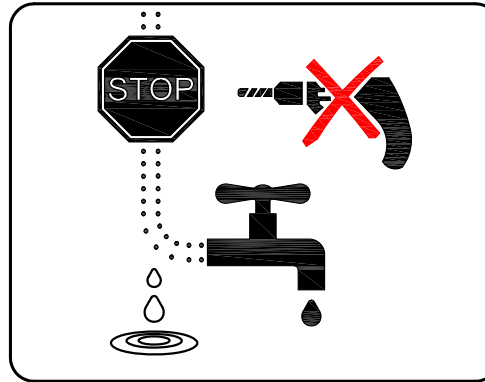
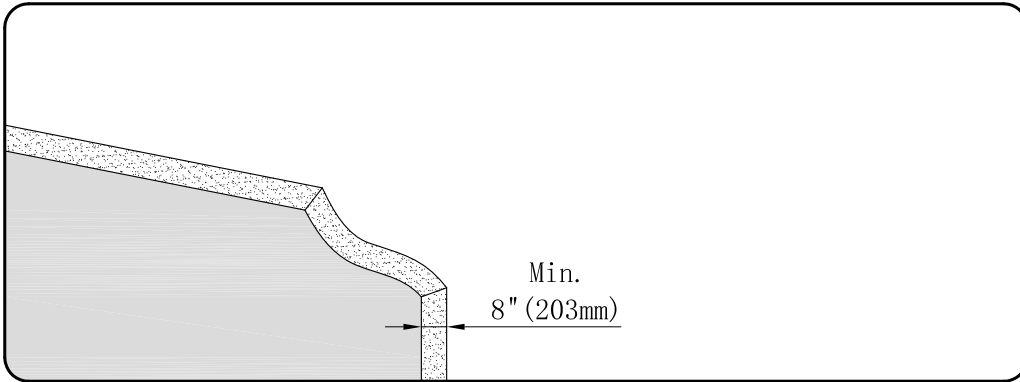


⚠ CAUTION: To avoid potential personal injury or property damage:
All 4 lag bolts **01** MUST BE firmly tightened to prevent unwanted movement of the wall plate assembly.
Ensure the wall plate assembly is securely fastened to the wall before continuing on to the next step.

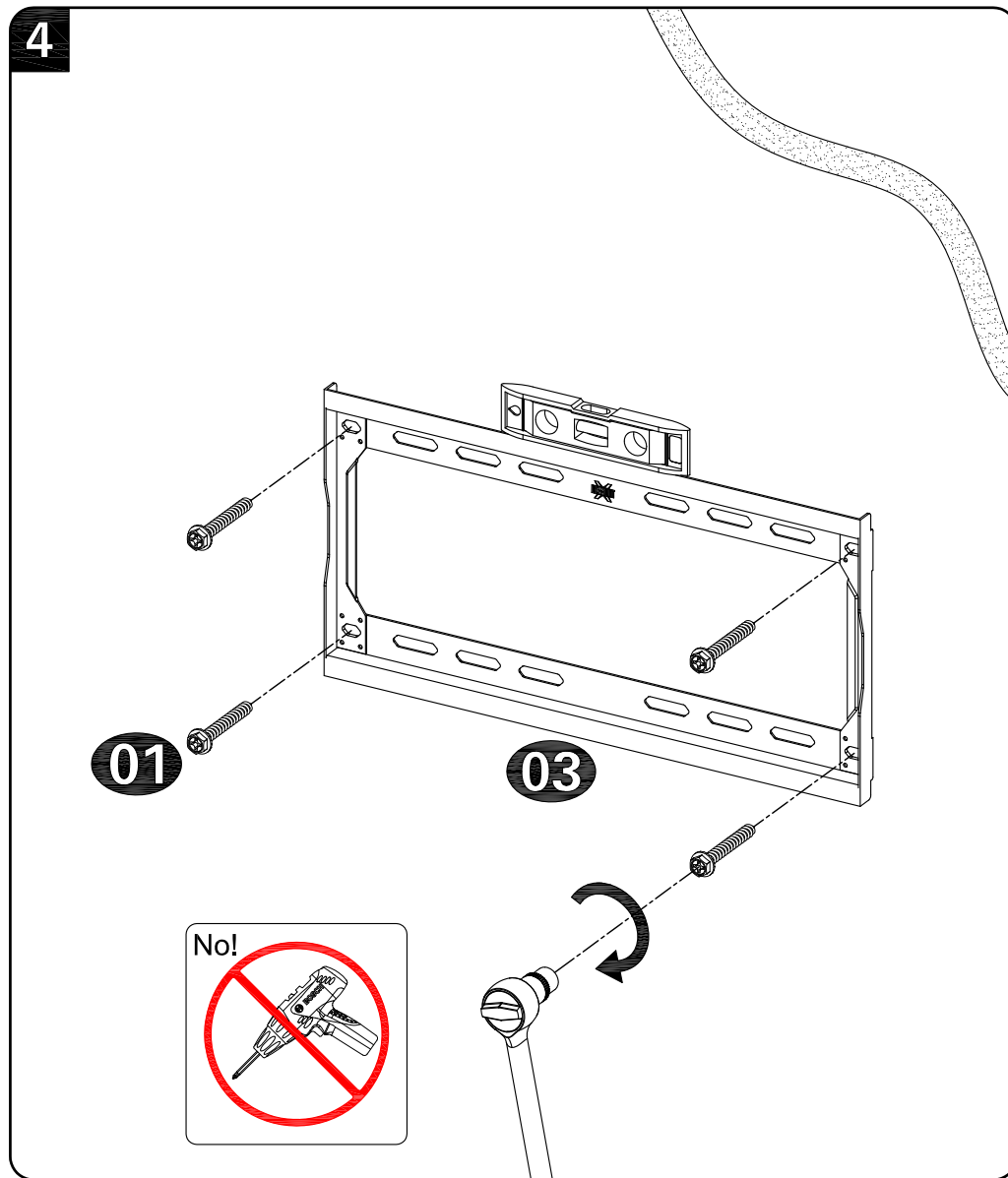
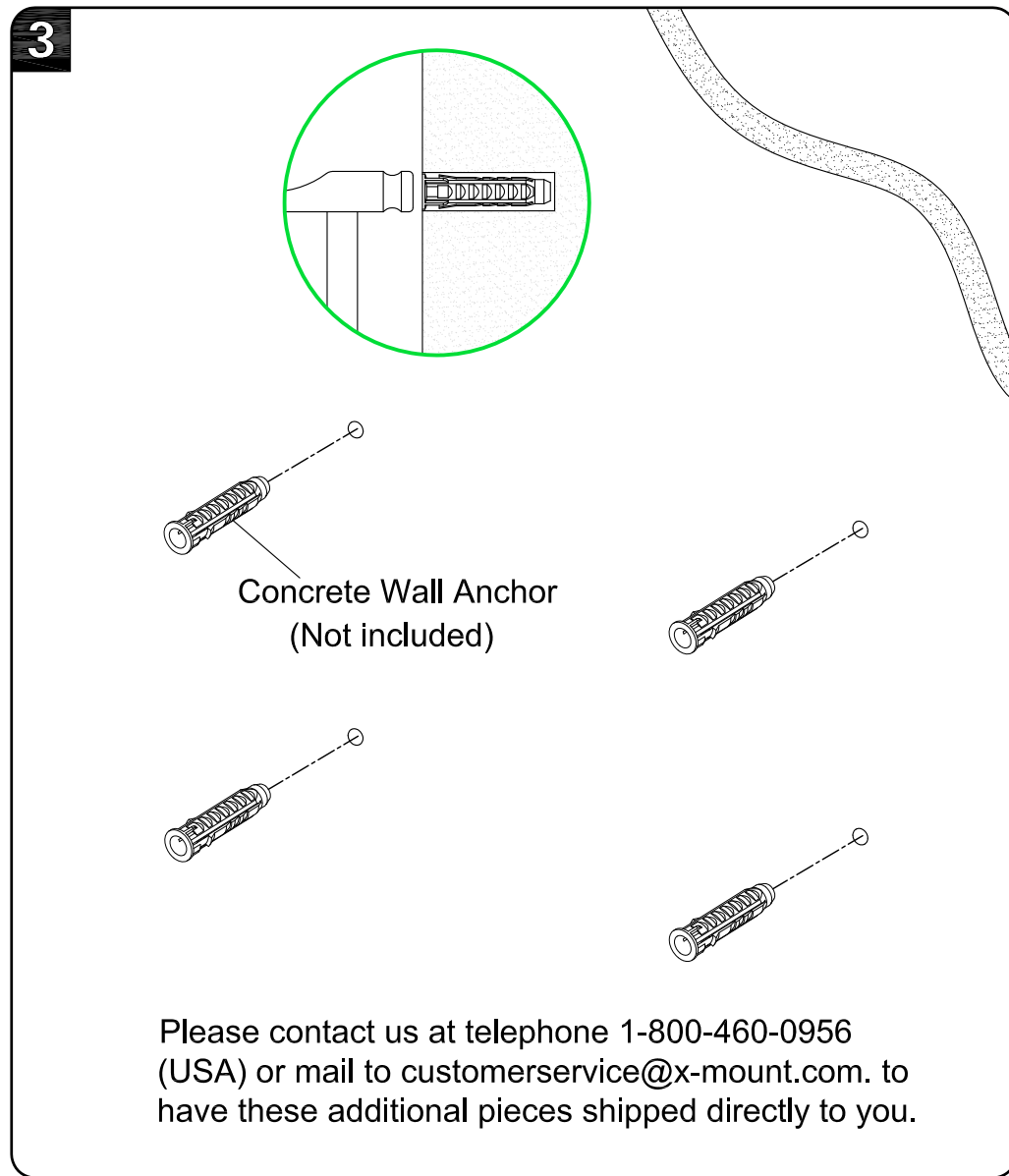


Go to Step 3 on PAGE 13.

STEP 2B Solid Concrete Wall Installation

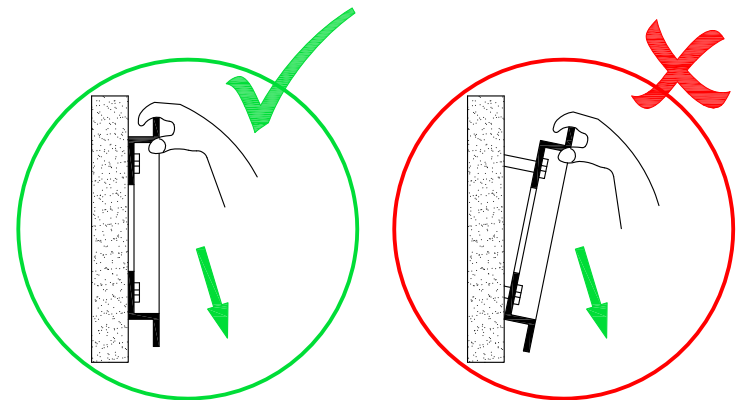
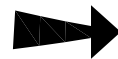
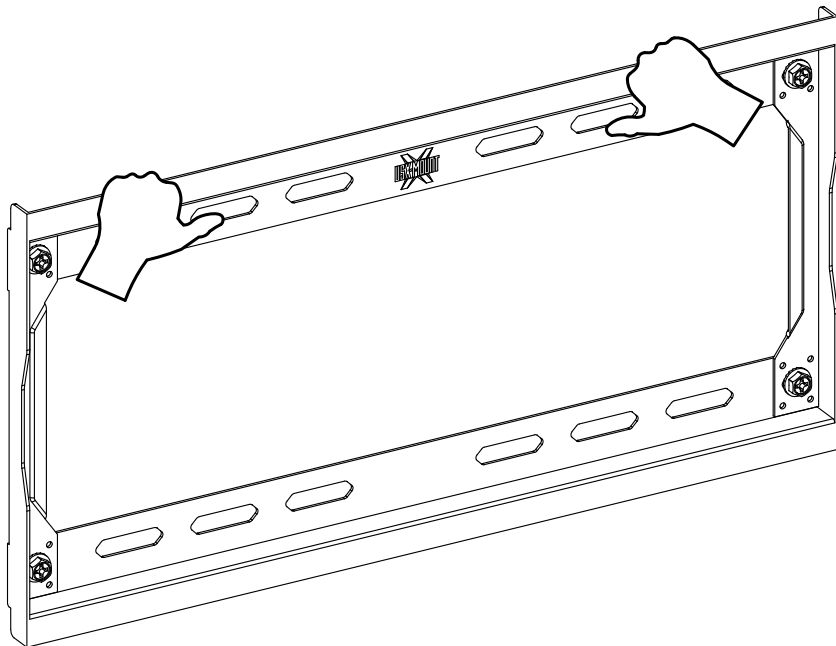


⚠ CAUTION: To avoid potential personal injury or property damage:
All 4 lag bolts **01** MUST BE firmly tightened to prevent unwanted movement of the wall plate assembly.
Ensure the wall plate assembly is securely fastened to the wall before continuing on to the next step.

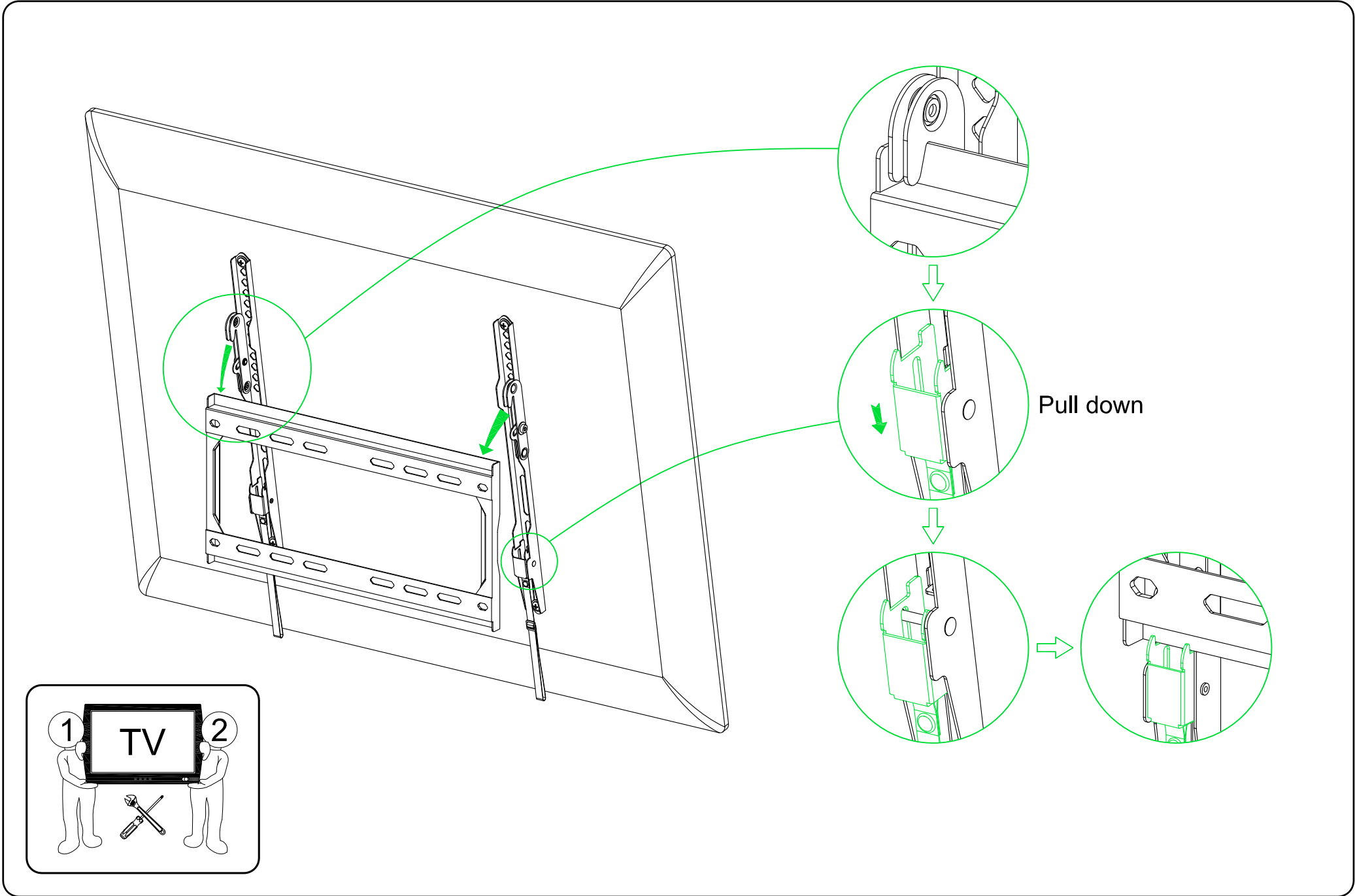


STEP 3 Hang and Secure TV to Wall Plate

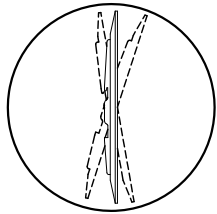
Before hanging TV, please conduct "wall plate installation integrity test" first.



99 LBS (45 kg)

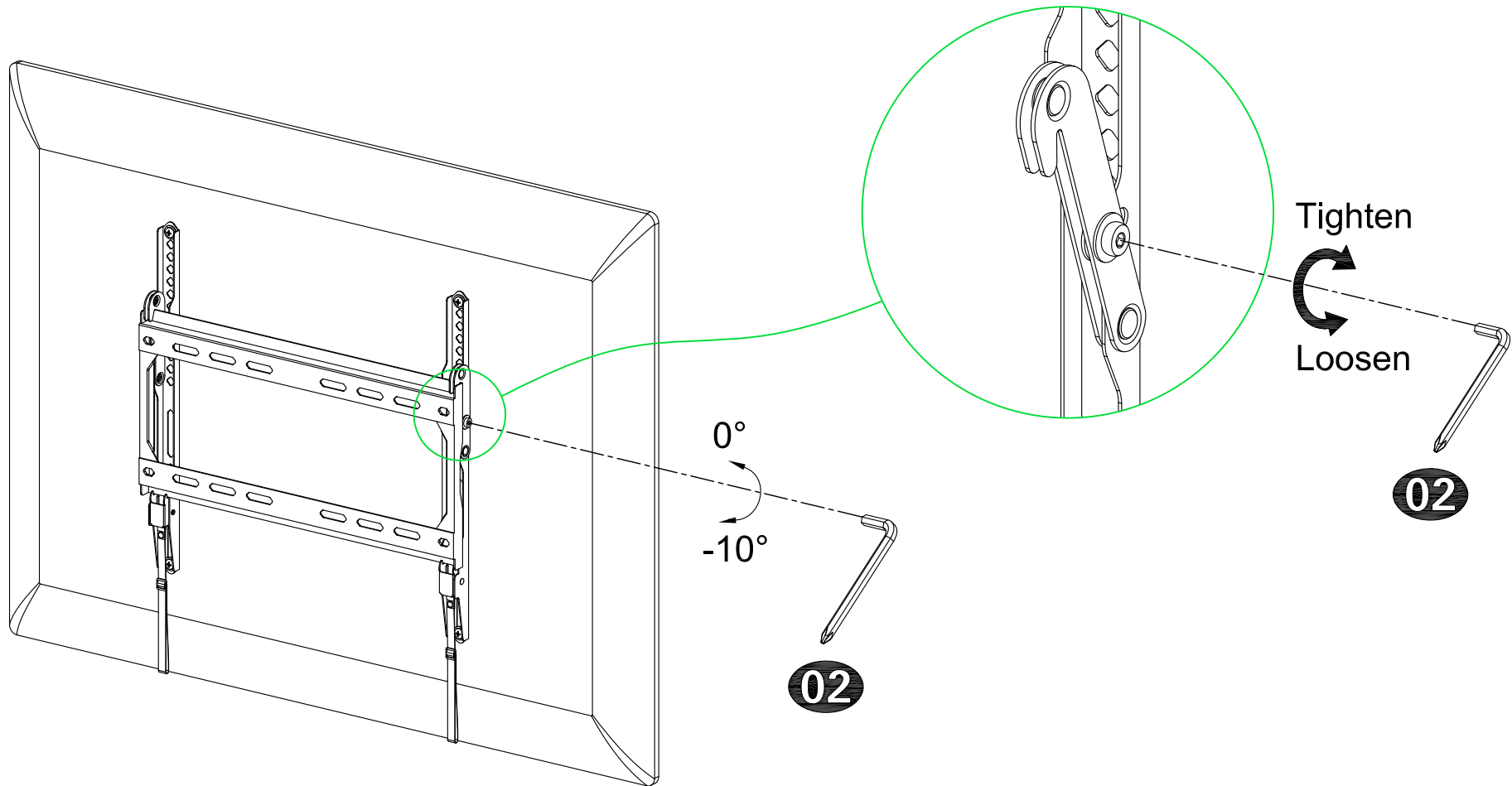


STEP 4 Adjustments



Tilting angle adjustment (0° / -10°):

Pull TV to your desired angle then fasten 2 tilting bolts with Allen key **02**.



Take Down the TV from the Mount

