

XMS010-L-01 INSTRUCTION MANUAL

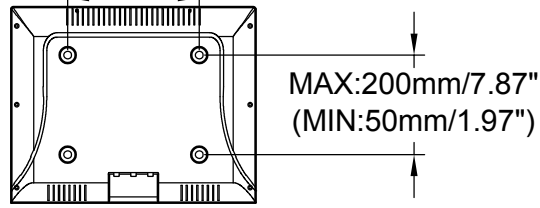
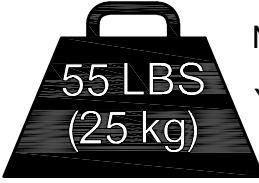
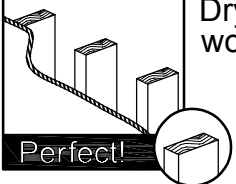
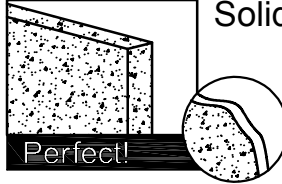
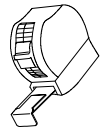
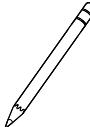
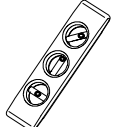
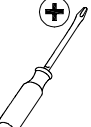

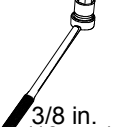
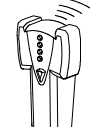
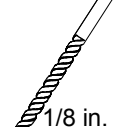


For 13-42" TV

If you have any questions along the way, just give us a call
1-800-460-0956 or mail to customerservice@x-mount.com.

We're ready to help!

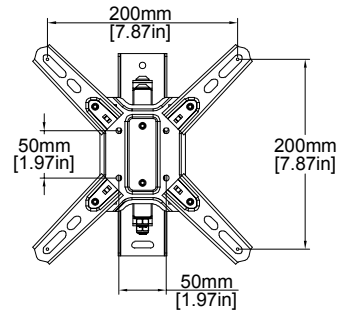
CAUTION: PLEASE READ ENTIRE MANUAL PRIOR TO USE AND SAVE THESE INSTRUCTIONS.

Before getting started, let's check below lists to make sure it is just right for you!

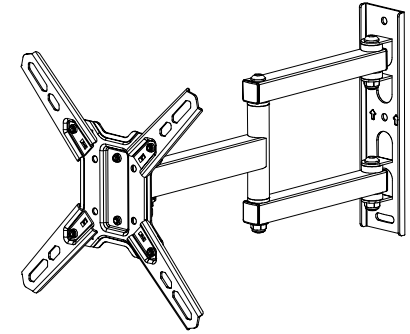
<p>Check your TV VESA is within Min and Max size</p>	<p>1</p> <p>MAX:200mm/7.87" (MIN:50mm/1.97")</p>  <p>MAX:200mm/7.87" (MIN:50mm/1.97")</p> <p>No? This mount is NOT compatible. Yes? Perfect !</p>
<p>Does your TV (including accessories) weigh MORE than 55 lbs. (25 kg)?</p>	<p>2</p>  <p>No? Perfect – you may continue. Yes? This mount is NOT compatible.</p> <div style="border: 1px solid black; padding: 5px;"> <p>CAUTION: DO NOT exceed the maximum weight indicated. This mounting system is intended for use only with the maximum weights indicated. Use with products heavier than the maximum weights indicated may result in collapse of the mount and its accessories, causing possible injury.</p> </div>
<p>What is your wall made of?</p>	<p>3</p> <div style="display: flex; justify-content: space-between;"> <div style="text-align: center;">  <p>Drywall with wood studs? Perfect!</p> </div> <div style="text-align: center;"> <p>CAUTION: DO NOT install into drywall alone</p> </div> <div style="text-align: center;">  <p>Solid concrete Perfect!</p> </div> <div style="text-align: center;"> <p>? Unsure? Call Customer Service: 1-800-460-0956</p> </div> </div>
<p>Do you have all the tools needed? (NOT INCLUDE)</p>	<p>4</p> <div style="display: flex; justify-content: space-around;"> <div style="text-align: center;">  <p>Tape Measure</p> </div> <div style="text-align: center;">  <p>Pencil</p> </div> <div style="text-align: center;">  <p>Level</p> </div> <div style="text-align: center;">  <p>Screw driver</p> </div> <div style="text-align: center;">  <p>Electric Drill</p> </div> <div style="text-align: center;">  <p>3/8 in. (10 mm) Socket Wrench</p> </div> <div style="border: 1px solid black; padding: 2px;"> <p style="writing-mode: vertical-rl; transform: rotate(180deg);">Wood Stud Install</p> <div style="text-align: center;">  <p>Stud Finder</p> </div> </div> <div style="border: 1px solid black; padding: 2px;"> <p style="writing-mode: vertical-rl; transform: rotate(180deg);">Concrete Install</p> <div style="text-align: center;">  <p>1/8 in. (3 mm) Wood Drill Bit</p> </div> </div> <div style="border: 1px solid black; padding: 2px;"> <p style="writing-mode: vertical-rl; transform: rotate(180deg);">Concrete Install</p> <div style="text-align: center;">  <p>3/8 in. (10 mm) Masonry Drill Bit</p> </div> </div> <div style="text-align: center;">  <p>Hammer</p> </div> </div>
<p>CAUTION</p>	<p>5</p> <ul style="list-style-type: none"> • This product is designed for use in wood stud, solid concrete walls - DO NOT install into drywall alone • The wall must be capable of supporting five times the weight of the TV and mount itself • Do not use this product for any purpose not explicitly specified by manufacturer • Manufacturer is not responsible for damage or injury caused by incorrect assembly or use

Dimensions

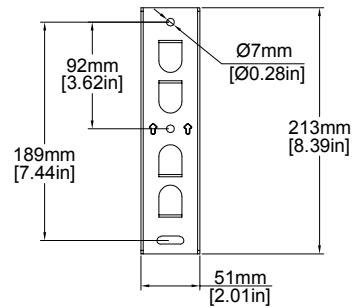
TV INTERFACE



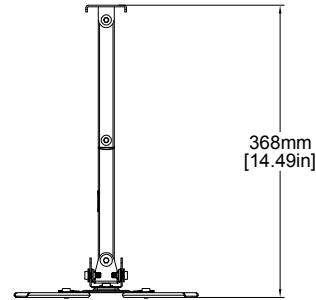
3-D



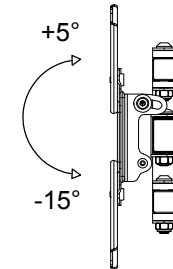
WALL PLATE



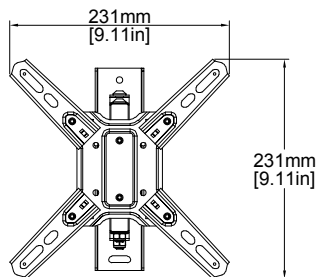
TOP VIEW - EXTENDED



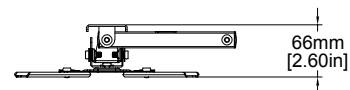
SIDE VIEW - EXTENDED



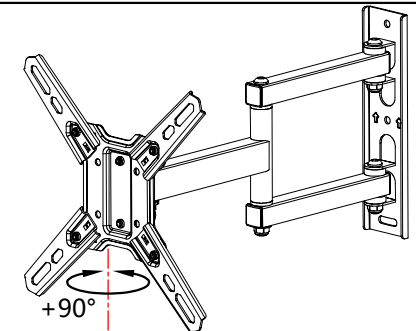
FULLY ASSEMBLED MOUNT



TOP VIEW - RETRACTED



SIDE VIEW - EXTENDED



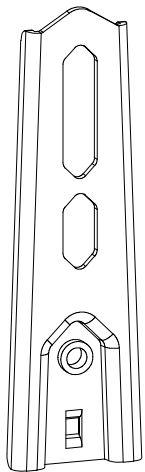
Parts and Hardware

⚠ WARNING: This product contains small items that could be a choking hazard if swallowed. Before starting assembly, verify all parts are included and undamaged. If any parts are missing or damaged, do not return the damaged item to your dealer; contact Customer Service.
Never use damaged parts!

📄 NOTE: Not all hardware included will be used.

Parts and Hardware for STEP 1

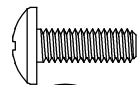
Extended arms



05 x4

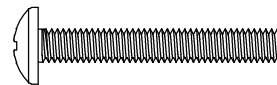
TV Screws

M4x12mm



a x4

M4x30mm



d x4

M6x12mm



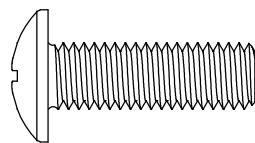
b x4

M6x35mm



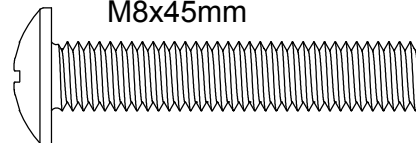
e x4

M8x25mm



c x4

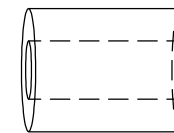
M8x45mm



f x4

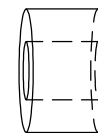
Spacers

M8x22mm



g x4

10mm



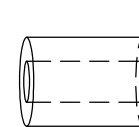
h x4

2.5mm



i x8

M6x17mm



j x4

Washers

M4



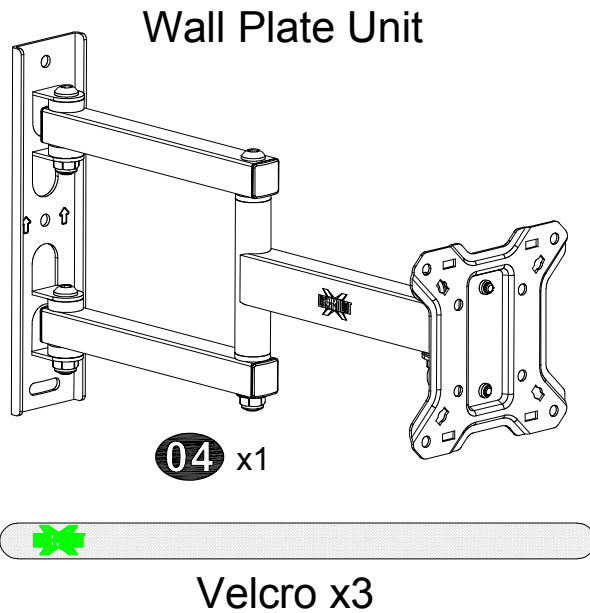
k x4

M6

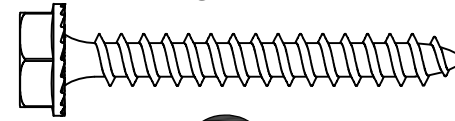


l x4

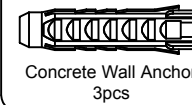
Parts and Hardware for STEP 2



Lag Bolt

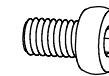


Concrete wall anchor (NOT INCLUDED)



Contact us at telephone 1-800-460-0956 (USA) or mail to customerservice@x-mount.com to have these additional pieces shipped directly to you.

M6x8mm Bolt

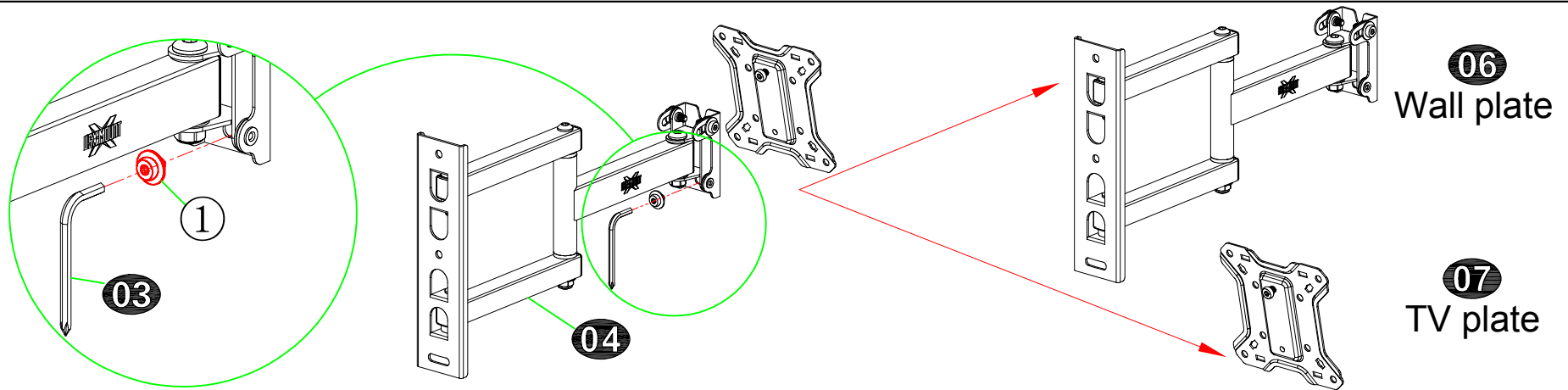


Allen Key



STEP 1 Attach TV Plate to TV

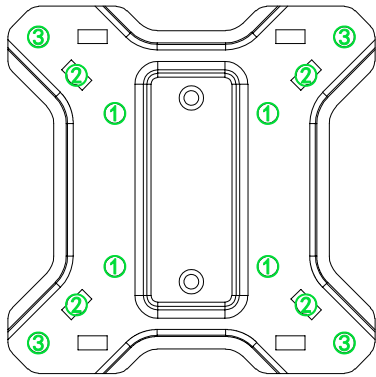
1-1 Disassemble Wall Plate Unit into Two Pieces



1-2 Choose Configuration

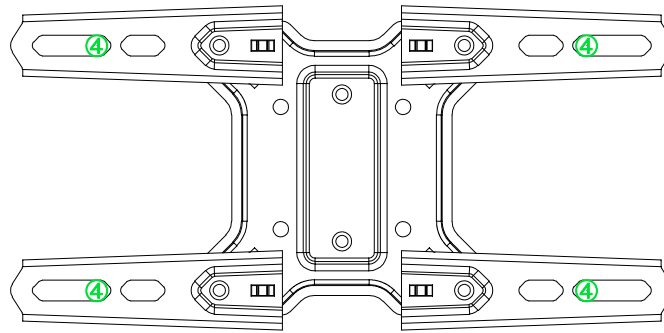
If your TV VESA size is above 100*100mm, you need to assemble extended arms **05** onto TV plate **07** using bolts **02** and Alley key **03** per below option 3 - option 6 shown.

Option 1



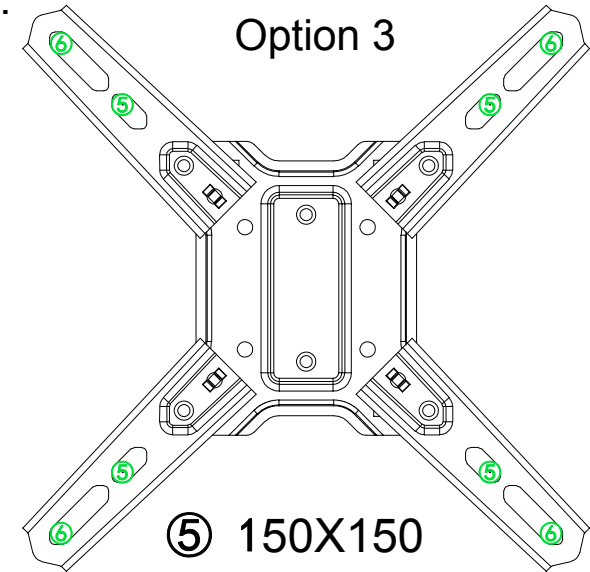
- ① 50X50
- ② 75X75
- ③ 100X100

Option 2

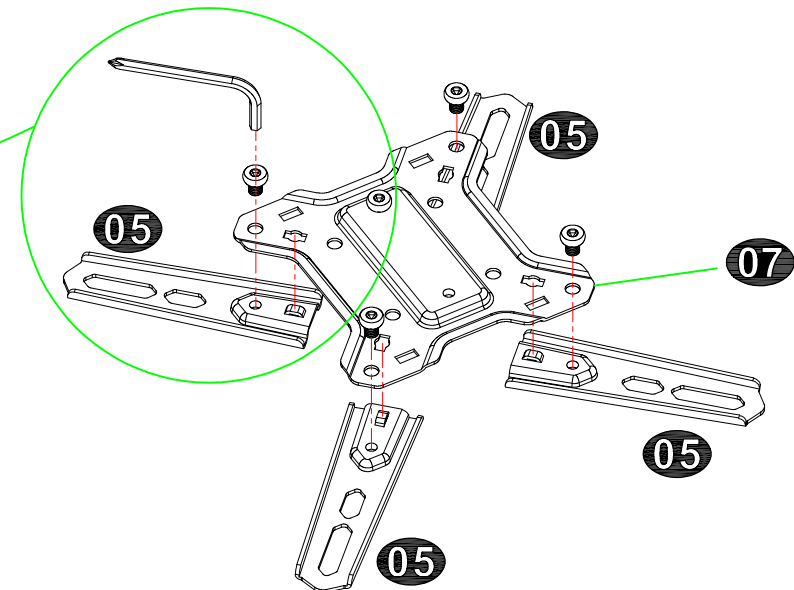
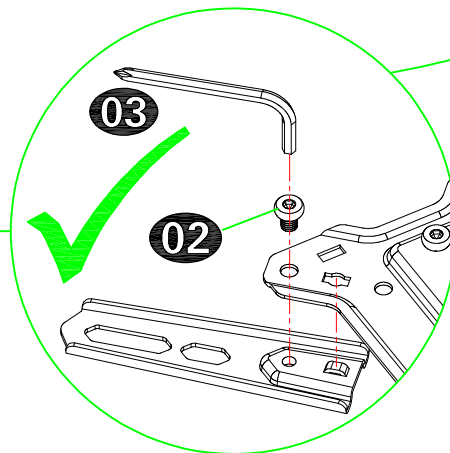
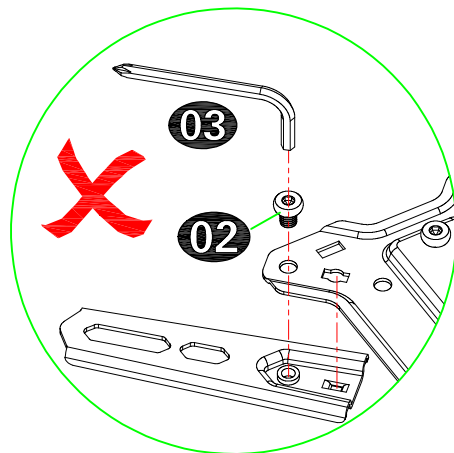


- ④ 200X100

Option 3

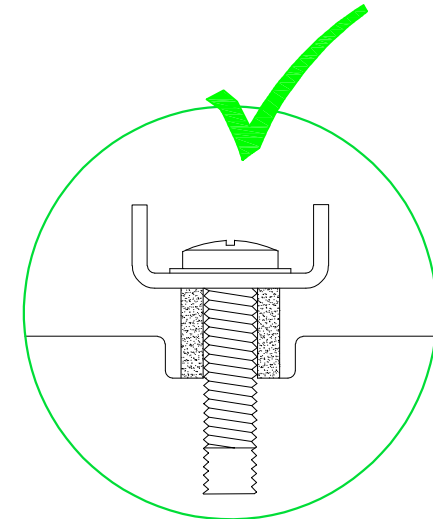
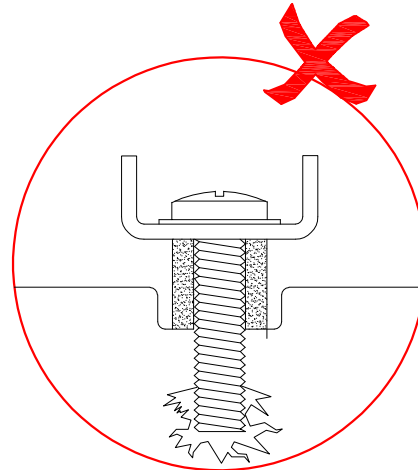
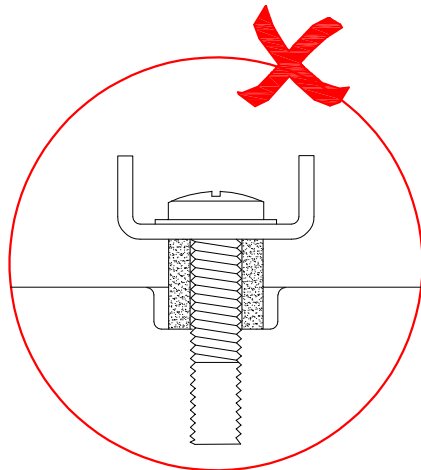
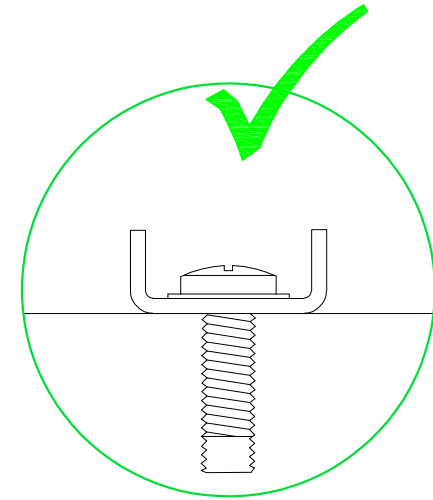
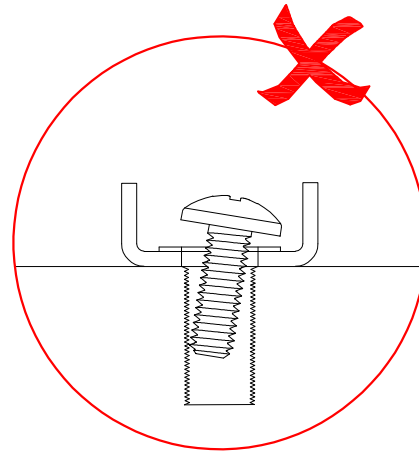
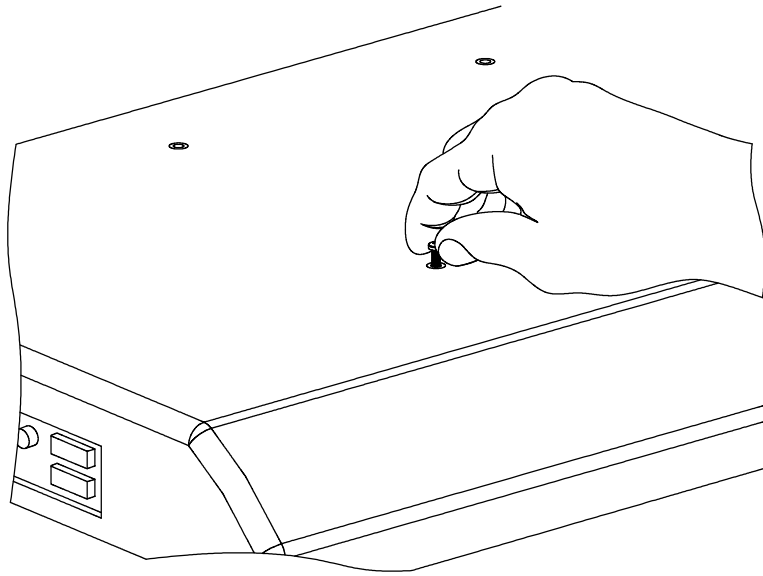
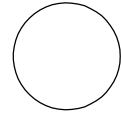


- ⑤ 150X150
- ⑥ 200X200



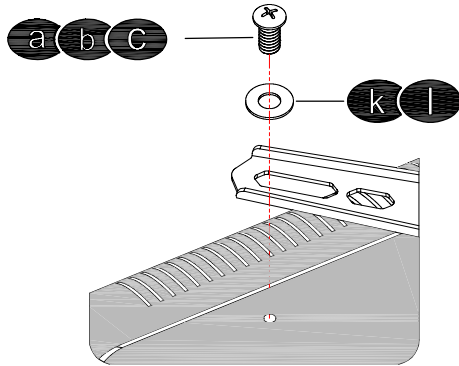
1-3 Select TV Screws

M4 M6 M8

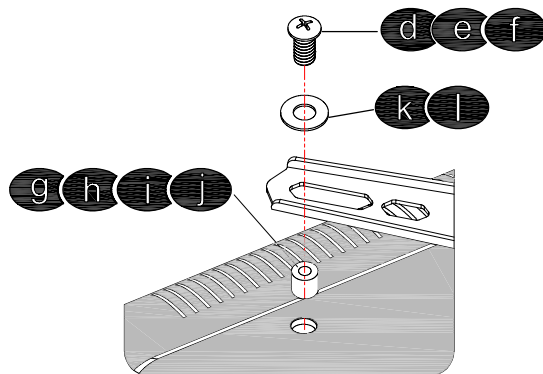


1-4 Need Spacer?

I No, choose suitable screws and washers.

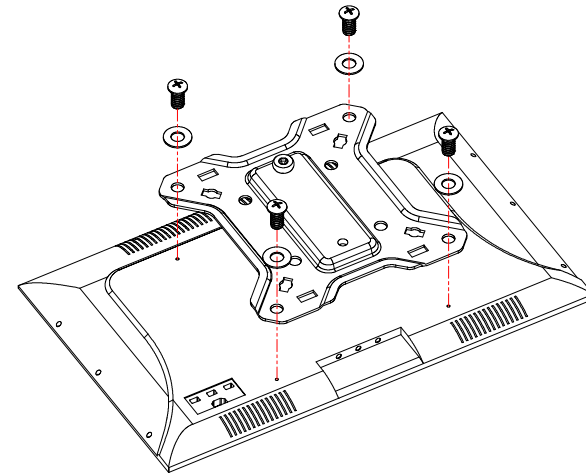


II Yes, choose suitable screws, washers and spacers.

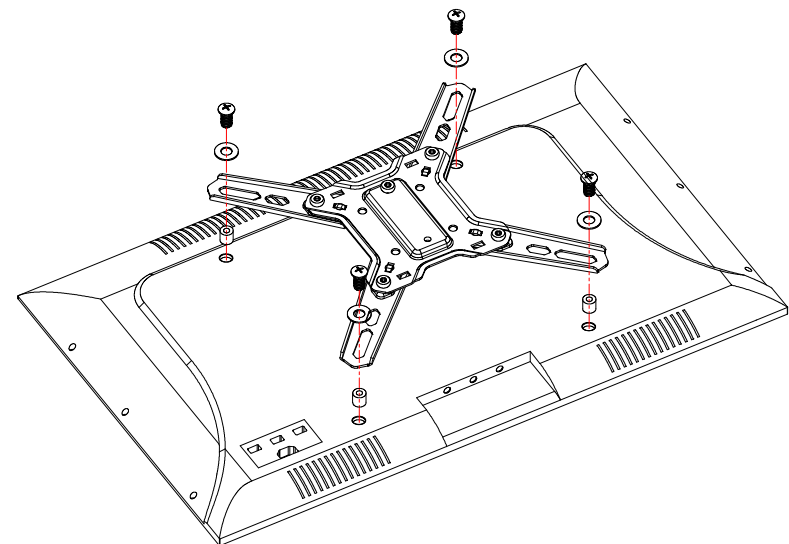
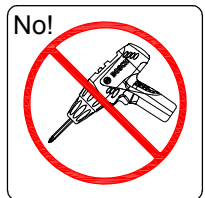


Tips: If you need to combine M6/M8(c/e/f) screws with 2.5mm spacers(i), you have to remove the inner circle.

1-5 Attach the TV Plate



VESA≤100X100mm



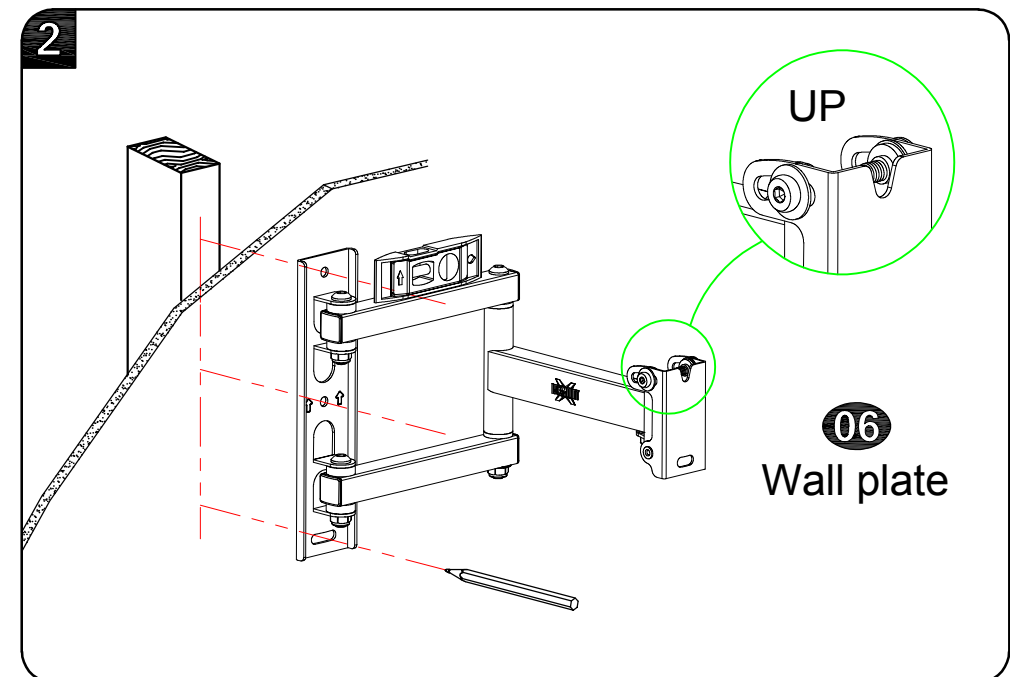
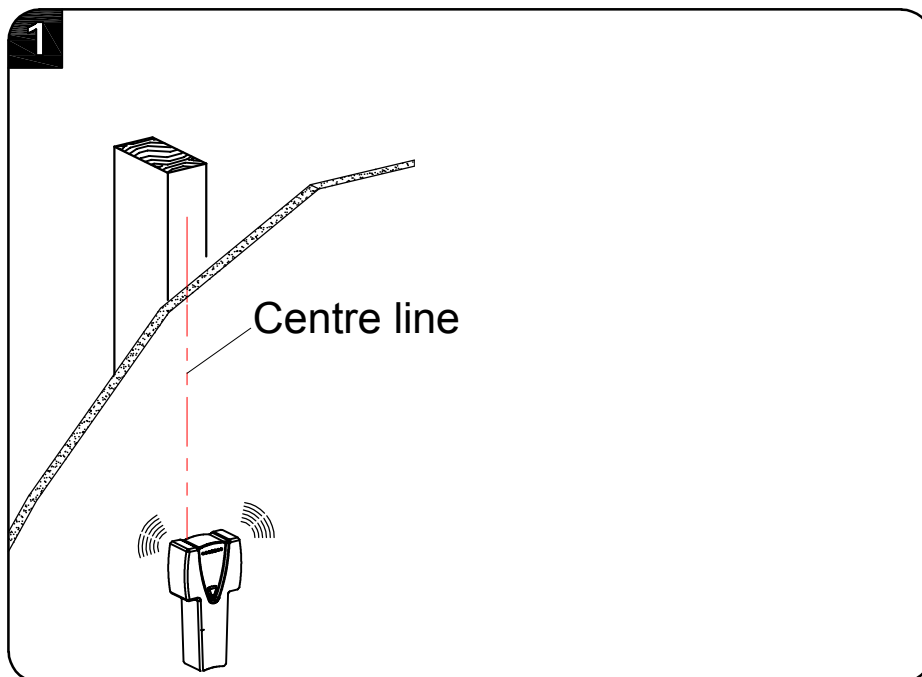
100X100mm<VESA≤200X200mm

STEP 2A Attach Wall Plate to Wall Wood Stud Option

⚠ CAUTION: Avoid potential personal injury or property damage!

- Drywall covering the wall, must not exceed 5/8 in. (16 mm)
- Minimum **wood stud** size: common 2 x 4 in. (51 x 102 mm) nominal 1½ x 3½ in. (38 x 89 mm)
- Stud center must be verified

1. Locate your studs. Verify and mark the center of the stud by finding the stud edges using a thin nail, or an edge to edge stud finder.
2. Position the wall plate **06** at your desired height and line up the holes with your stud center line. Level the wall plate and mark the hole locations.



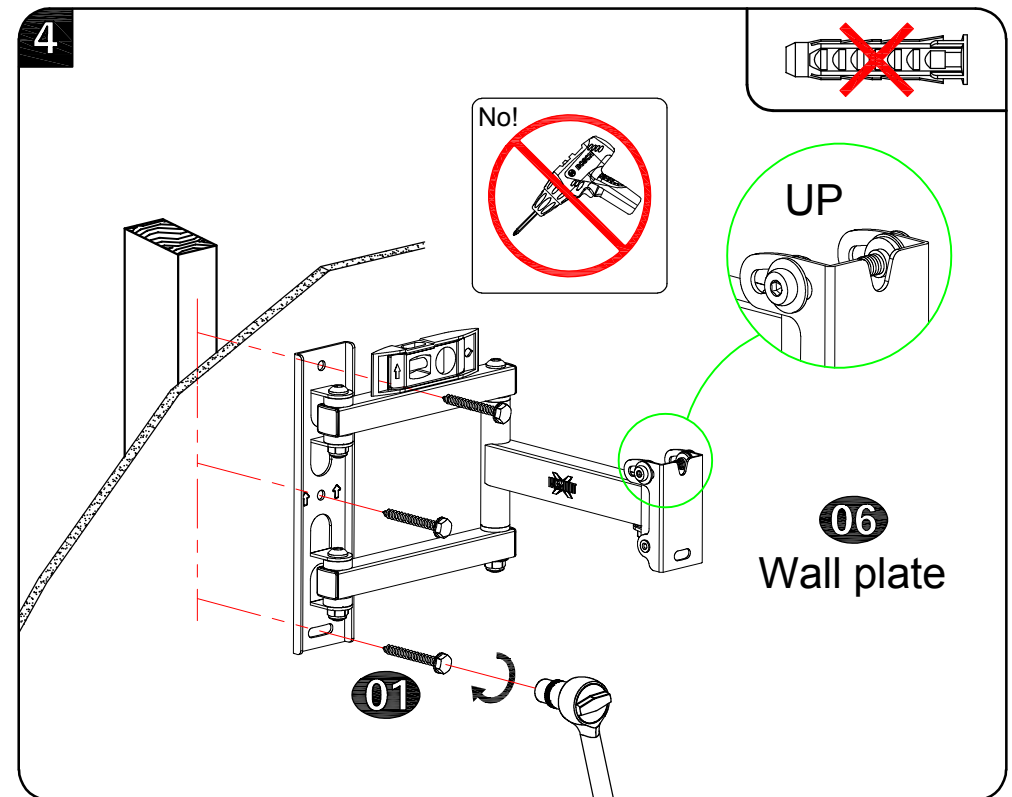
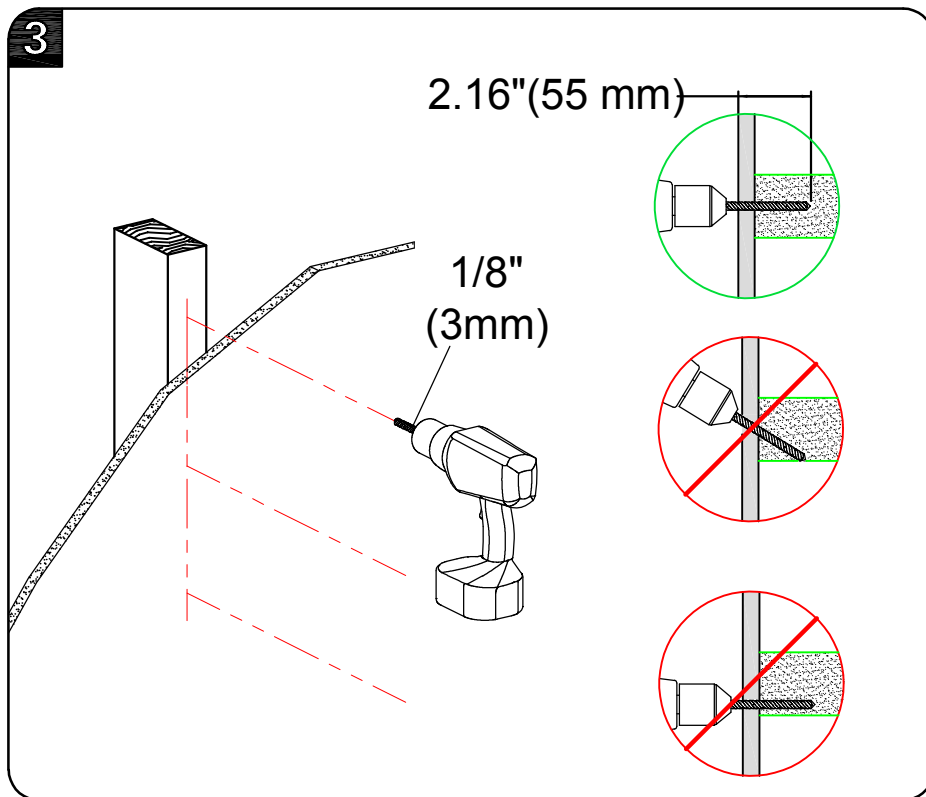
3. Drill pilot holes using a 1/8 in. (3mm) diameter drill bit.

❗ **IMPORTANT:** Pilot holes must be drilled to a depth of 2.16 in. (55 mm). Be sure to drill into the center of the studs.

4. Install wall plate **06** using three lag bolts **01**. Tighten the lag bolts only until they are pulled firmly against the wall plate.

⚠ **CAUTION:** Improper use could reduce the holding power of the lag bolt.
DO NOT over-tighten the lag bolts.

Go to STEP 3 on PAGE 13



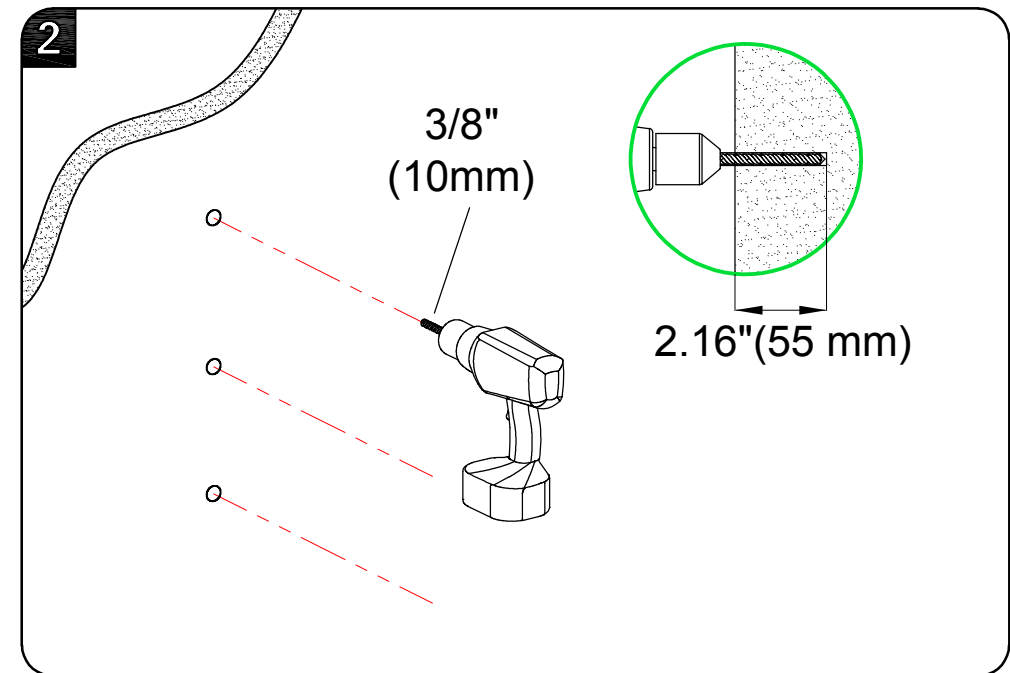
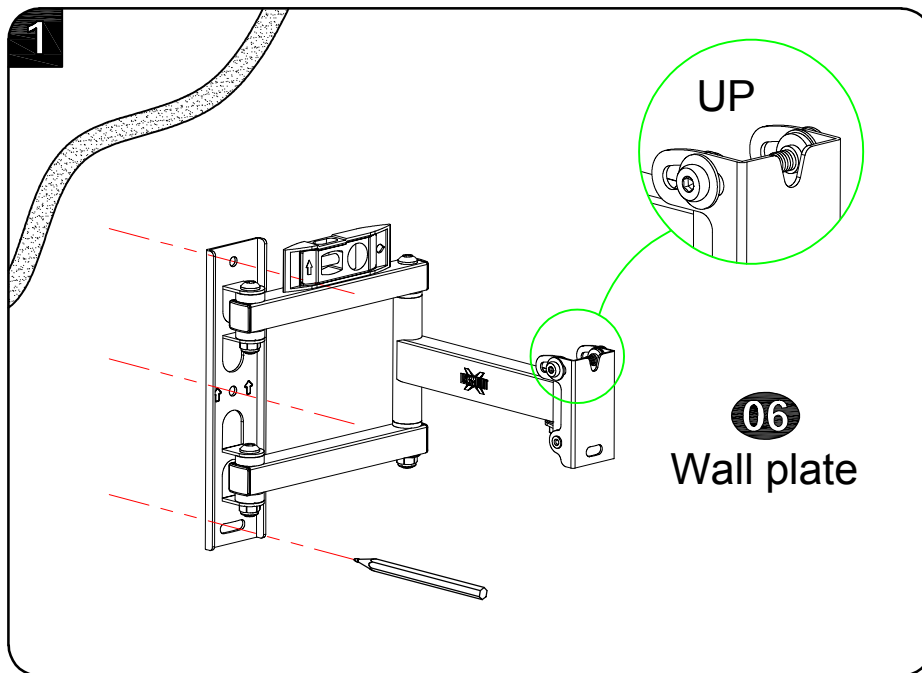
STEP 2B Attach Wall Plate to Solid Concrete Wall

⚠ CAUTION: Avoid potential personal injury or property damage!

- Mount the wall plate assembly **06** directly onto the concrete surface
- Minimum **solid concrete** thickness: 8 in. (203 mm)

1. Position the wall plate **06** on the wall at your desired height. Level the wall plate and mark the hole locations.
2. Drill four pilot holes using a 3/8 in. (10 mm) diameter masonry drill bit.

❗ IMPORTANT: Pilot holes must be drilled to a depth of 2.16 in. (55 mm).

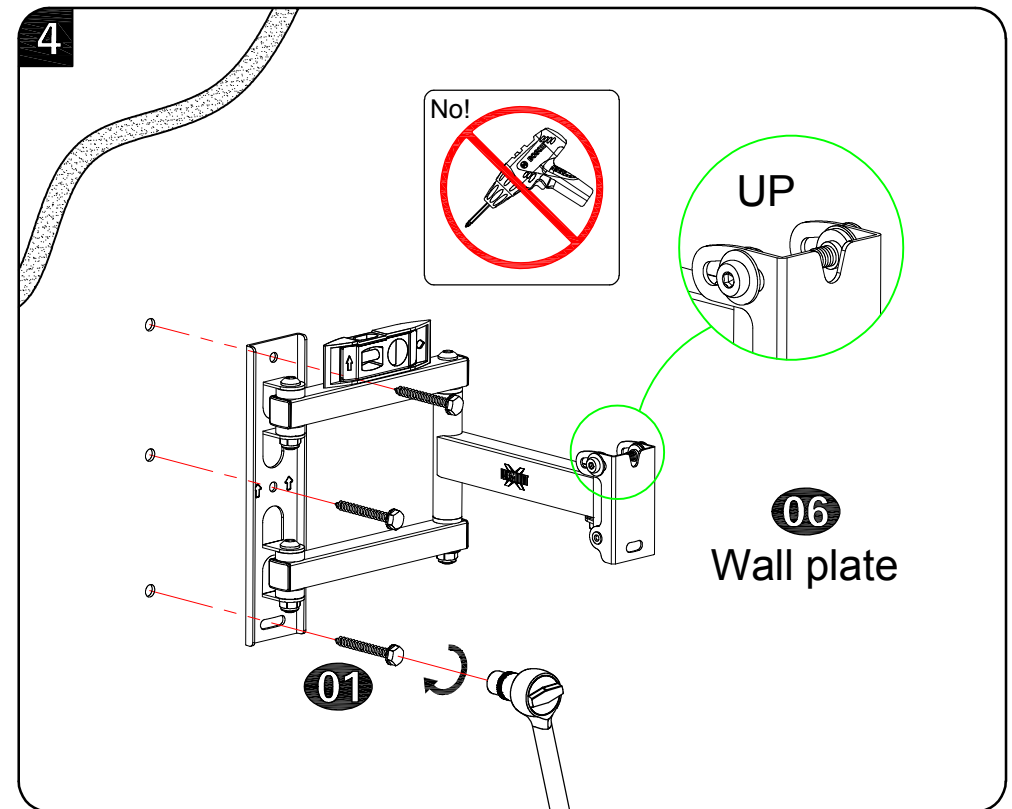
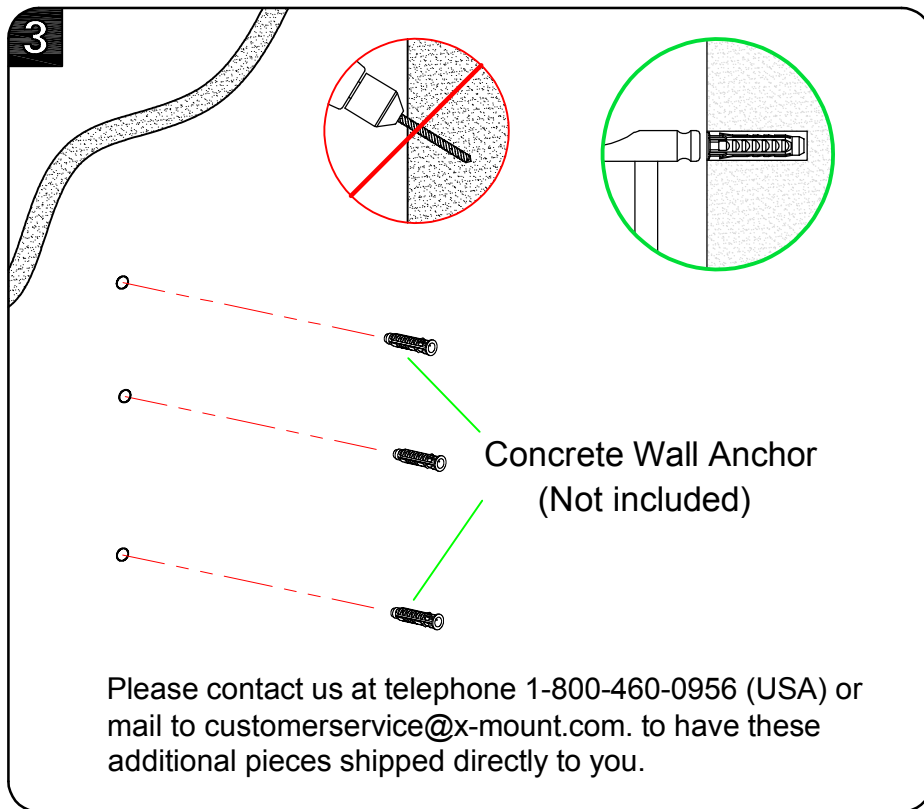


3. Insert four anchors.

⚠ CAUTION: Be sure the anchors are seated flush with the concrete surface.

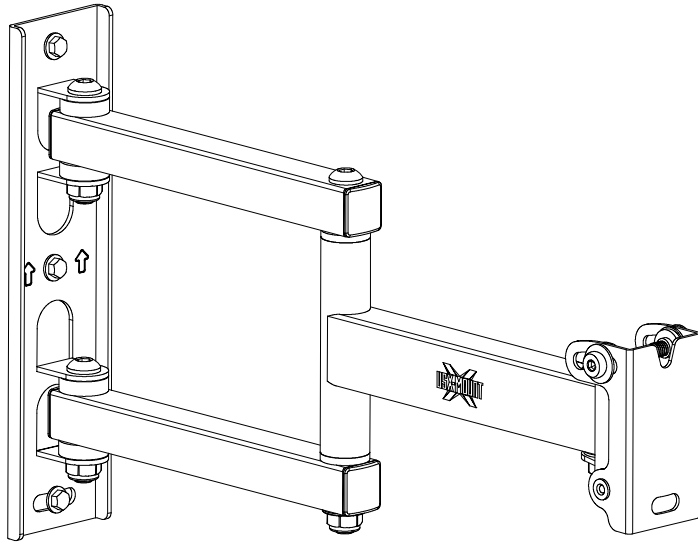
4. Insert wall plate **06** using three lag bolts **01**. Tighten the lag bolts only until they are pulled firmly against the wall plate.

⚠ CAUTION: Improper use could reduce the holding power of the lag bolt.
DO NOT over-tighten the lag bolts.

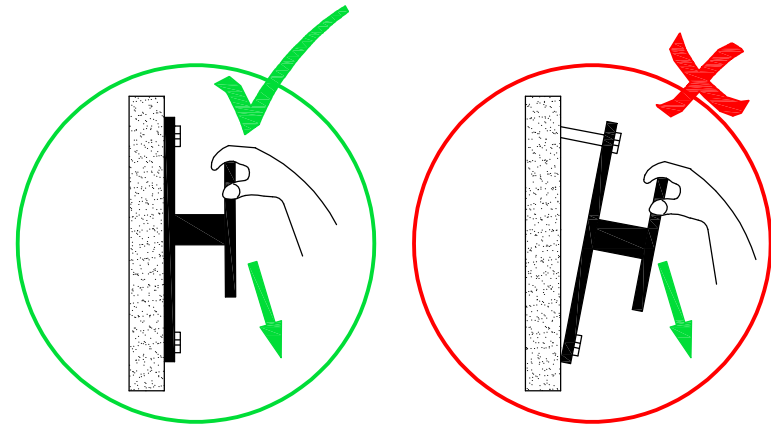


STEP 3 Wall Plate Installation Integrity Test

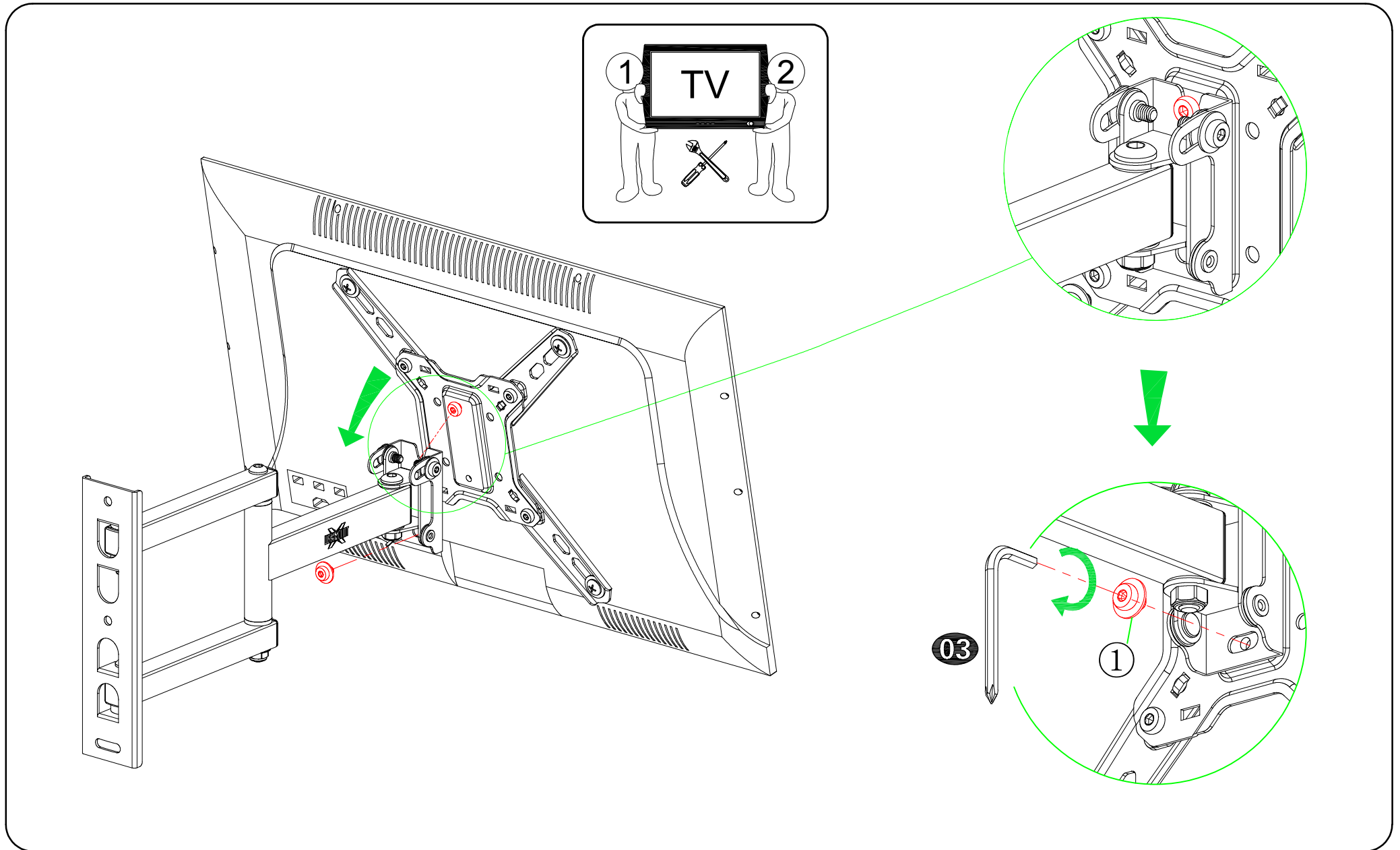
Before hanging TV, please try to pull the mount to make sure that it has been assembled on the wall tightly.



06
Wall plate

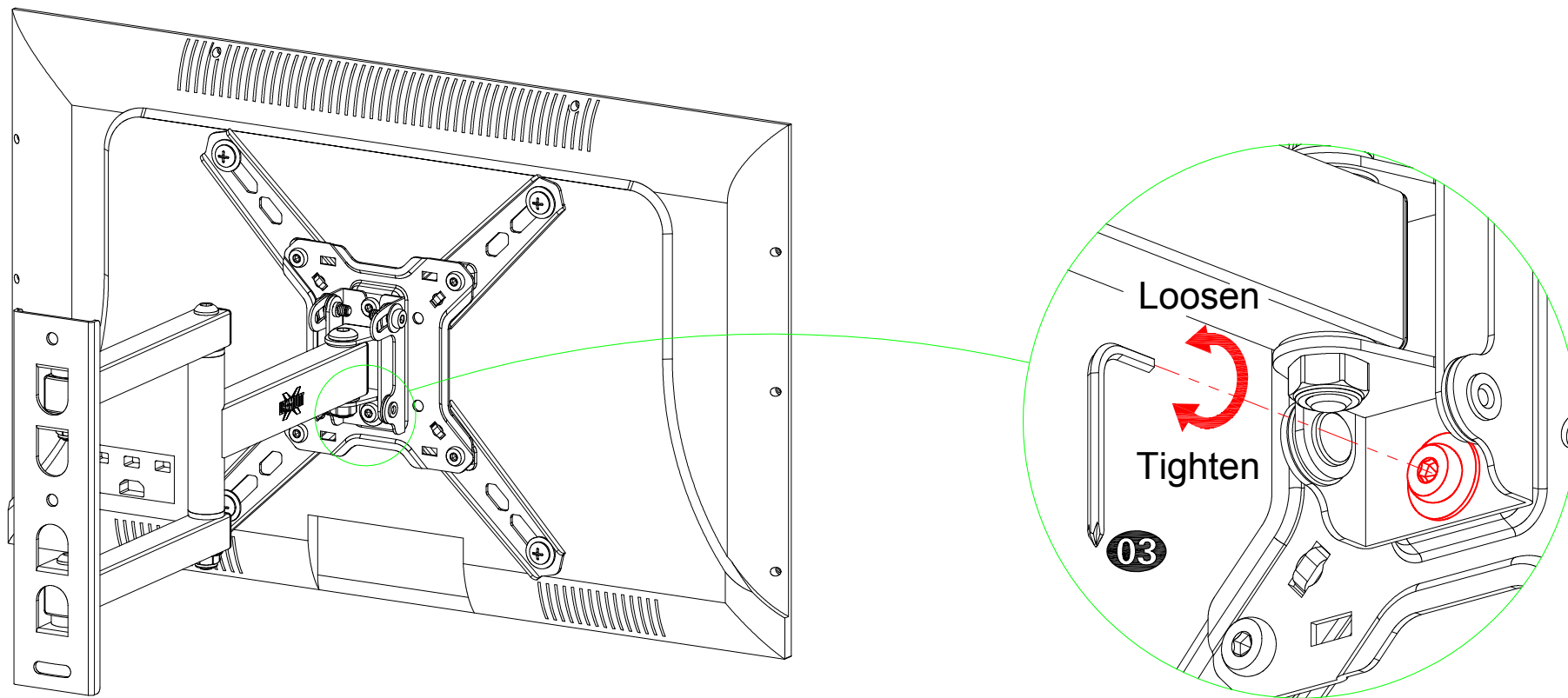


STEP 4 Hang and Secure TV to Wall Plate



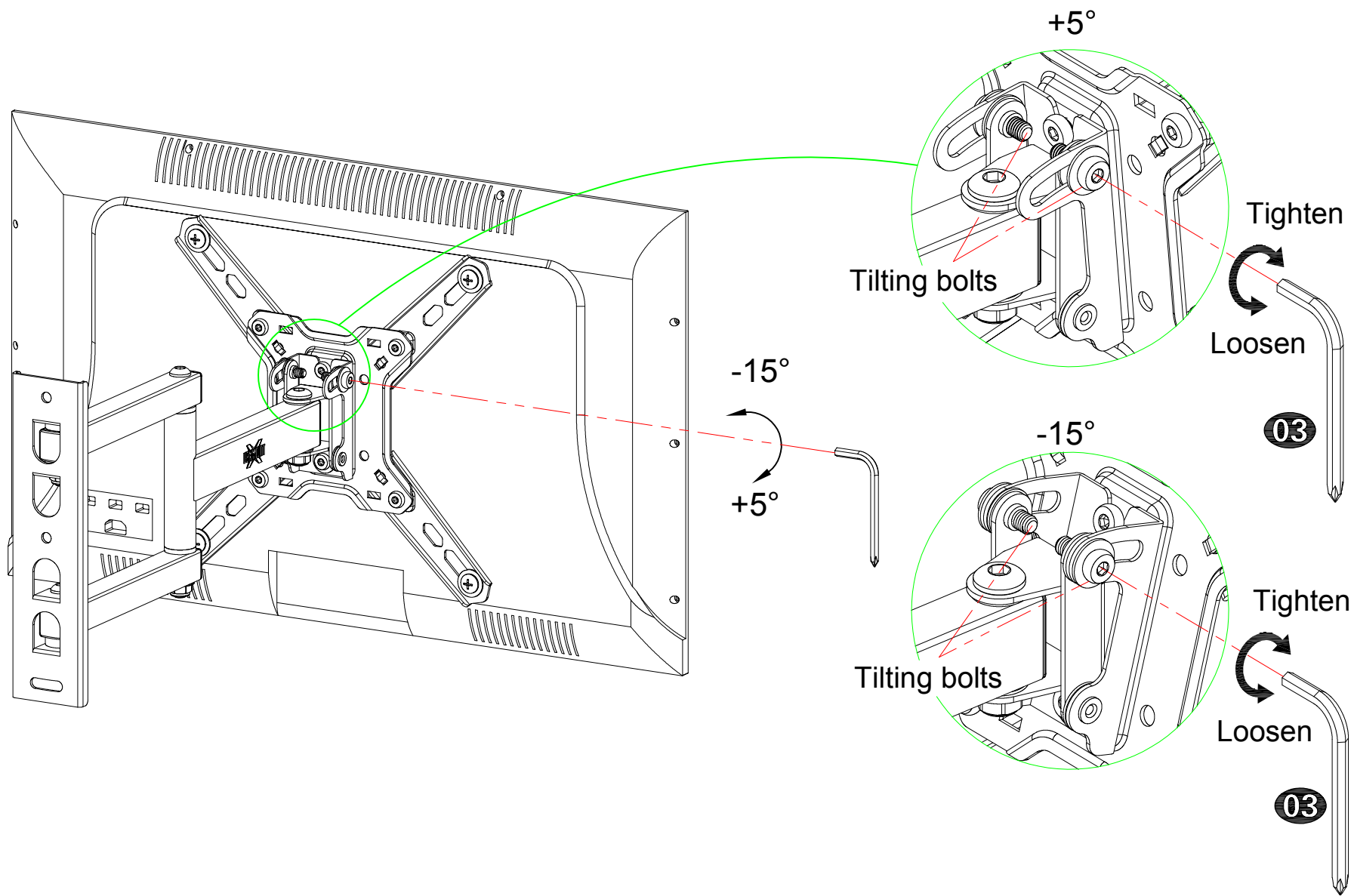
STEP 5 Adjustments

5-1 TV leveling adjustment ($\pm 4^\circ$):
Loosen 2 leveling bolts on the rear of TV plate by
maximum 2 turns, adjust to level, and retighten to secure.



5-2 Tilting angle adjustment (+5°/-15°):

Pull TV to your desired angle then fasten 2 tilting bolts with allen key 03 .



5-3 Cables manage:
Manage TV cables orderly and guide them through the velcros.

