

# XMS002-1 INSTRUCTION MANUAL

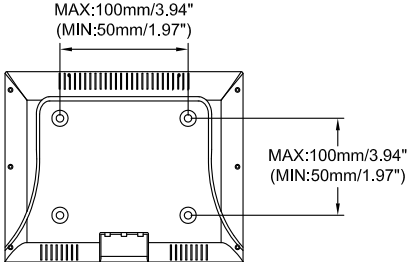

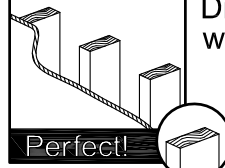
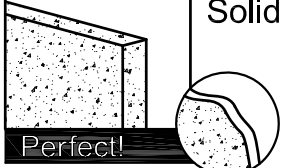

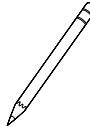
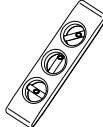
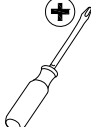



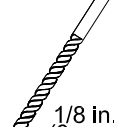
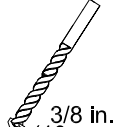

For 10-26" TV

If you have any questions along the way, just give us a call  
1-800-460-0956 or mail to [customerservice@x-mount.com](mailto:customerservice@x-mount.com).

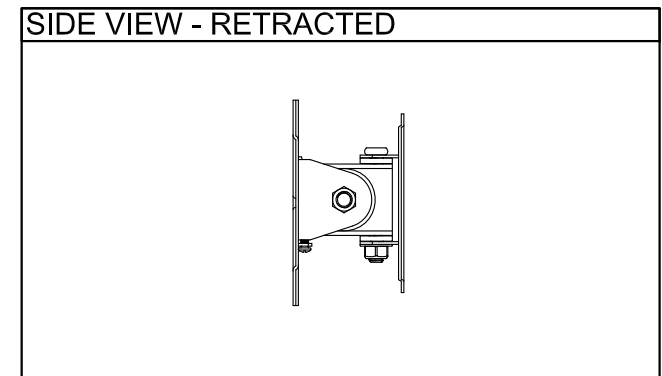
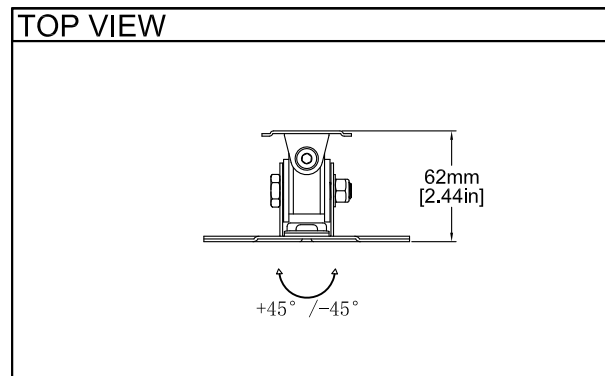
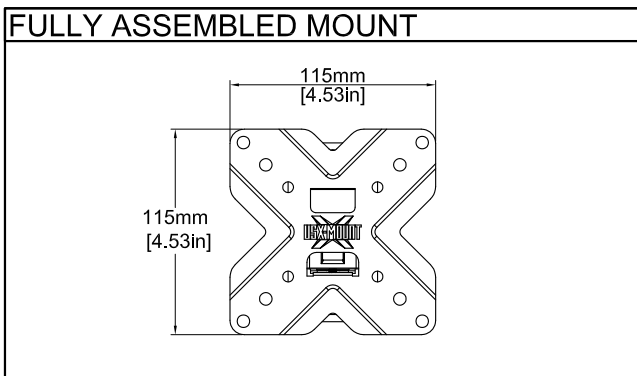
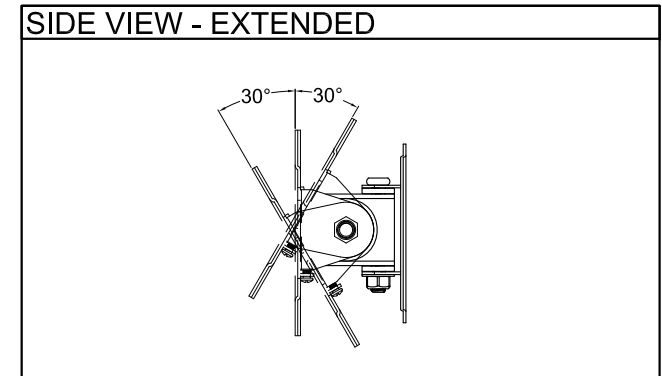
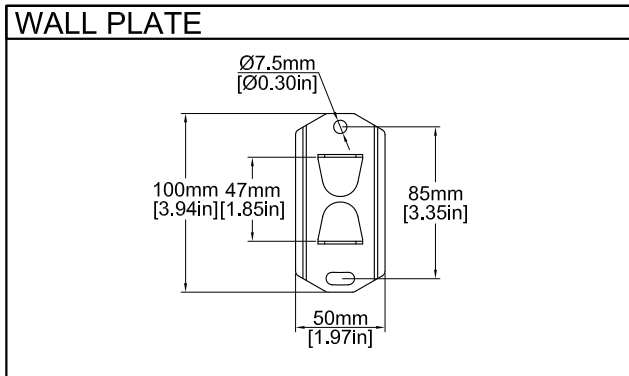
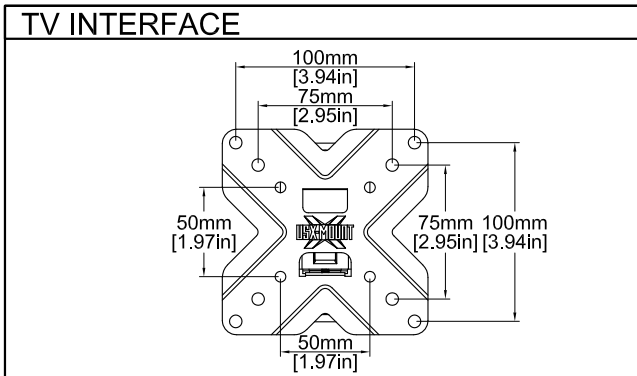
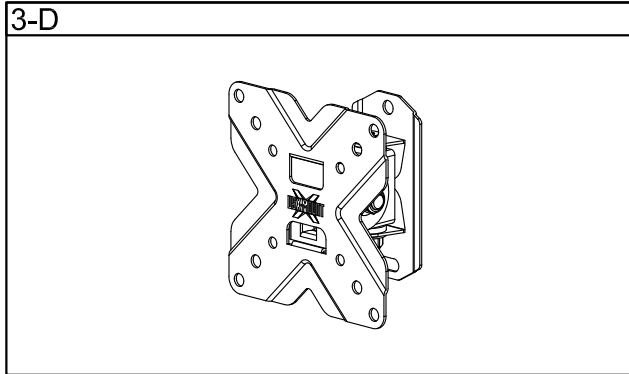
We're ready to help!

**CAUTION: PLEASE READ ENTIRE MANUAL PRIOR TO USE AND SAVE THESE INSTRUCTIONS.**

Before getting started, let's check below lists to make sure it is just right for you!

<p>Check your TV VESA is within Min and Max size <b>1</b></p>	 <p>No? This mount is NOT compatible. Yes? Perfect !</p>
<p>Does your TV (including accessories) weigh MORE than 22 lbs. (10 kg)? <b>2</b></p>	 <p>No? Perfect – you may continue. Yes? This mount is NOT compatible</p> <div style="border: 1px solid black; padding: 5px; margin-top: 10px;"> <p><b>CAUTION:</b> DO NOT exceed the maximum weight indicated. This mounting system is intended for use only with the maximum weights indicated. Use with products heavier than the maximum weights indicated may result in collapse of the mount and its accessories, causing possible injury.</p> </div>
<p>What is your wall made of? <b>3</b></p>	<div style="display: flex; justify-content: space-between;"> <div style="text-align: center;">  <p>Drywall with wood studs? Perfect!</p> </div> <div style="text-align: center;"> <p><b>CAUTION:</b> DO NOT install into drywall alone</p> </div> <div style="text-align: center;">  <p>Solid concrete Perfect!</p> </div> <div style="text-align: center;"> <p><b>?</b> Unsure? Call Customer Service: 1-800-460-0956</p> </div> </div>
<p>Do you have all the tools needed? (NOT INCLUDE) <b>4</b></p>	<div style="display: flex; justify-content: space-around; align-items: flex-end;"> <div style="text-align: center;">  Tape Measure         </div> <div style="text-align: center;">  Pencil         </div> <div style="text-align: center;">  Level         </div> <div style="text-align: center;">  Screw driver         </div> <div style="text-align: center;">  Electric Drill         </div> <div style="text-align: center;">  1/2 in. (13 mm) Socket Wrench         </div> <div style="text-align: center;"> <p>Wood Stud Install</p>  Stud Finder         </div> <div style="text-align: center;">  1/8 in. (3 mm) Wood Drill Bit         </div> <div style="text-align: center;"> <p>Concrete Install</p>  3/8 in. (10 mm) Masonry Drill Bit         </div> <div style="text-align: center;">  Hammer         </div> </div>
<p><b>CAUTION 5</b></p>	<ul style="list-style-type: none"> <li>• This product is designed for use in wood stud, solid concrete walls - DO NOT install into drywall alone</li> <li>• The wall must be capable of supporting five times the weight of the TV and mount itself</li> <li>• Do not use this product for any purpose not explicitly specified by manufacturer</li> <li>• Manufacturer is not responsible for damage or injury caused by incorrect assembly or use</li> </ul>

# Dimensions



# STEP 1 Attach TV Plate to TV

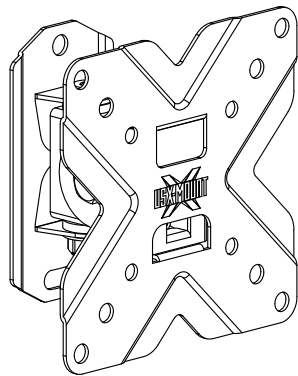
**⚠ WARNING:** This product contains small items that could be a choking hazard if swallowed. Before starting assembly, verify all parts are included and undamaged. If any parts are missing or damaged, do not return the damaged item to your dealer; contact Customer Service.

Never use damaged parts!

**📄 NOTE:** Not all hardware included will be used.

## Parts and Hardware for STEP 1

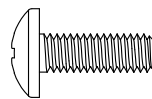
### Wall Plate Unit



**03** x1

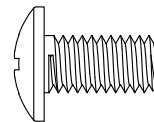
### TV Screws

M4x12mm



**a** x4

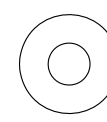
M6x12mm



**b** x4

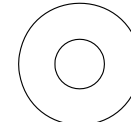
### Washers

M4



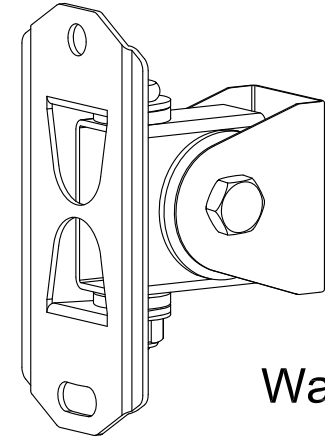
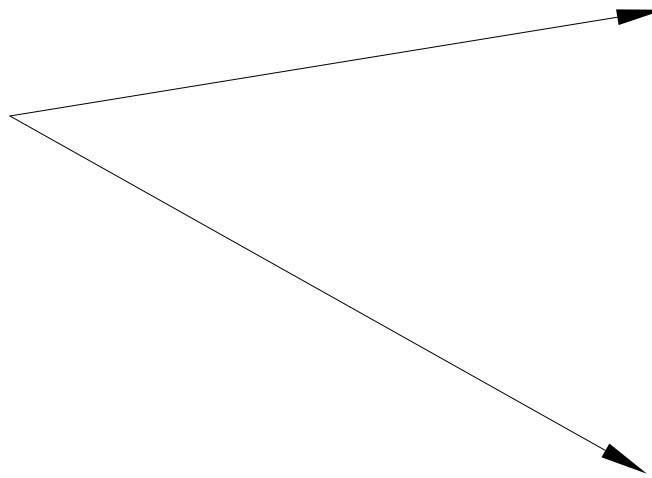
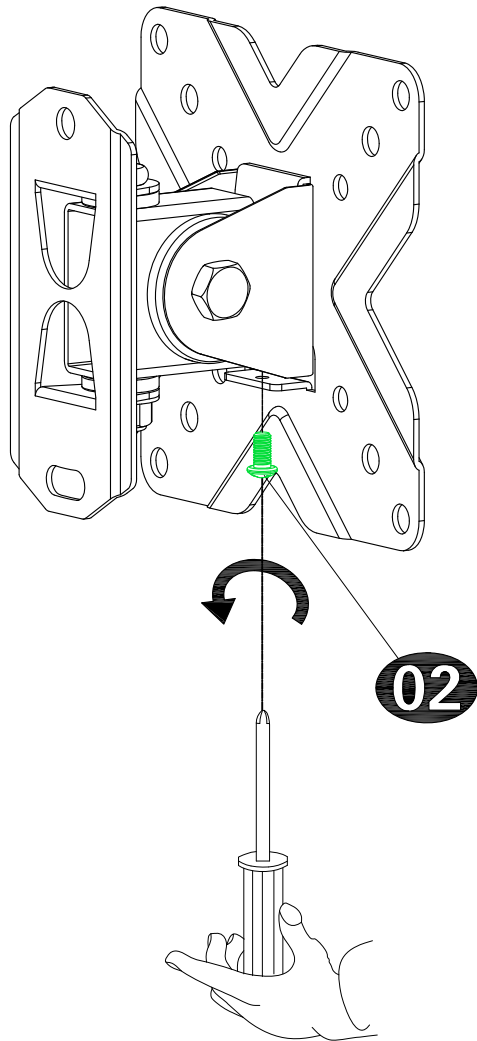
**c** x4

M6

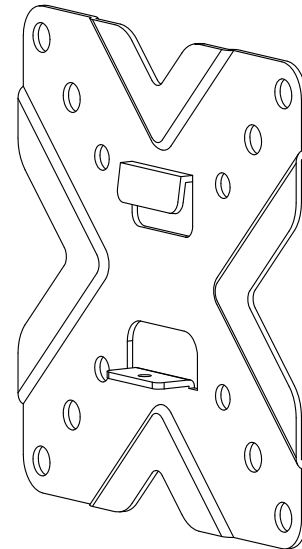


**d** x4

# 1-1 Disassemble Wall Plate Unit into Two Pieces

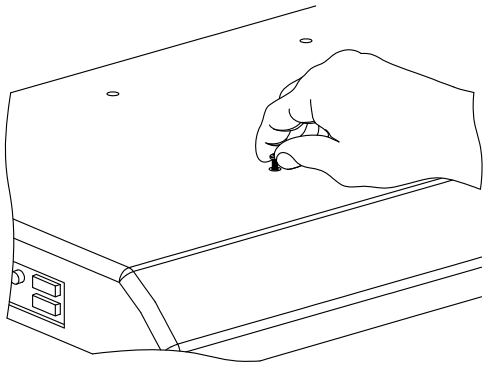


Wall plate



TV plate

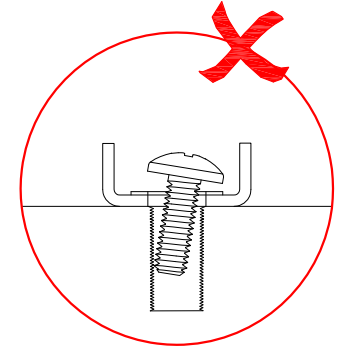
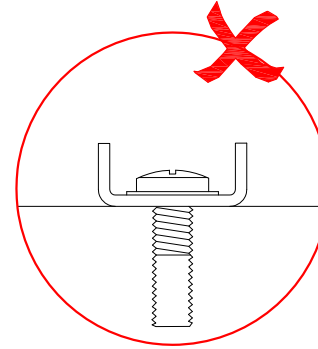
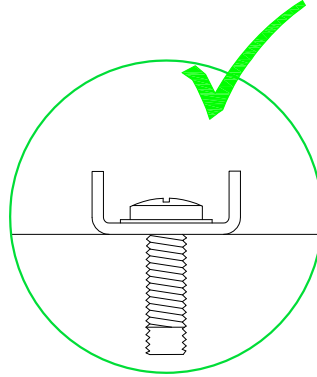
## 1-2 Select TV Screws



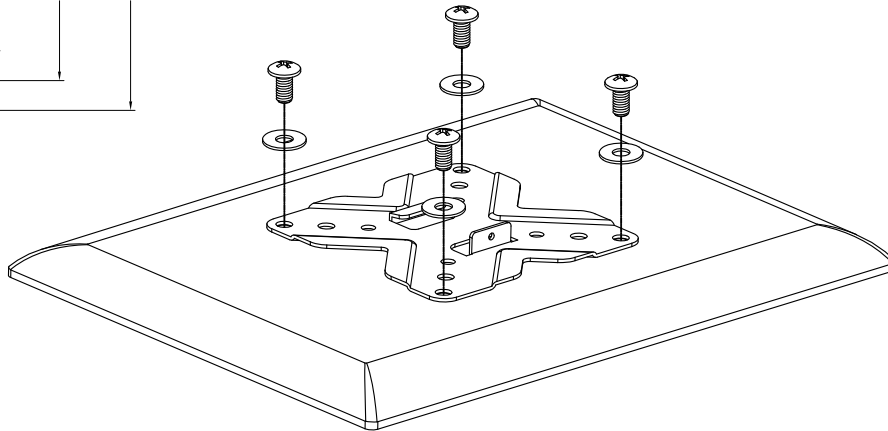
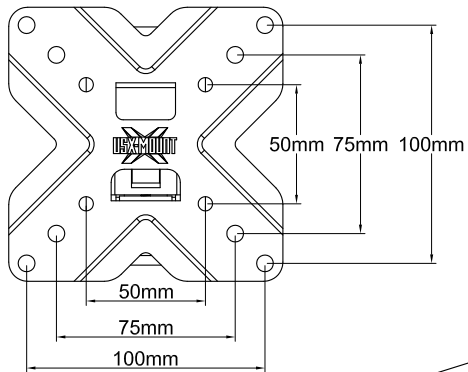
M4



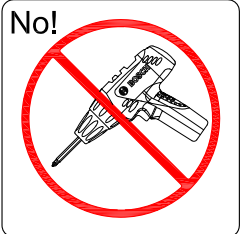
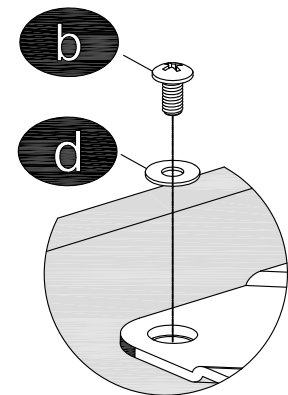
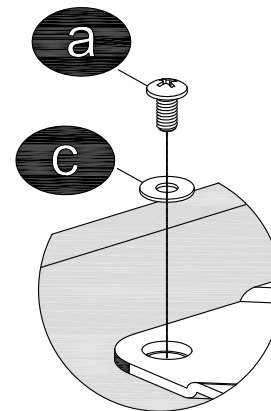
M6





## 1-3 Attach TV Plate to TV Back



### Screw and Washer Combination Options

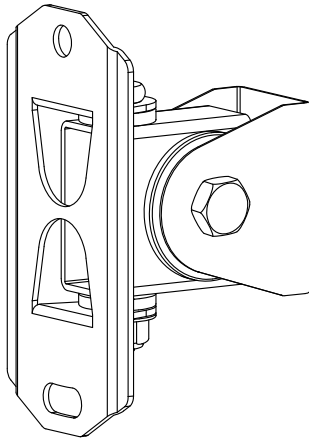


## STEP 2 Attach Wall Plate to Wall

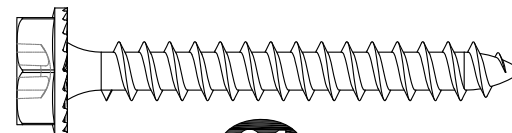
-  For wood stud installation, follow STEP 2A on PAGE 8
-  For concrete installation, follow STEP 2B on PAGE 10

### Parts and Hardware

Wall Plate

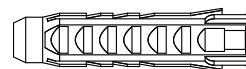


Lag Bolt M6x50mm



**01** x2

#### Concrete wall anchor (NOT INCLUDED)



Concrete Wall Anchor  
2pcs

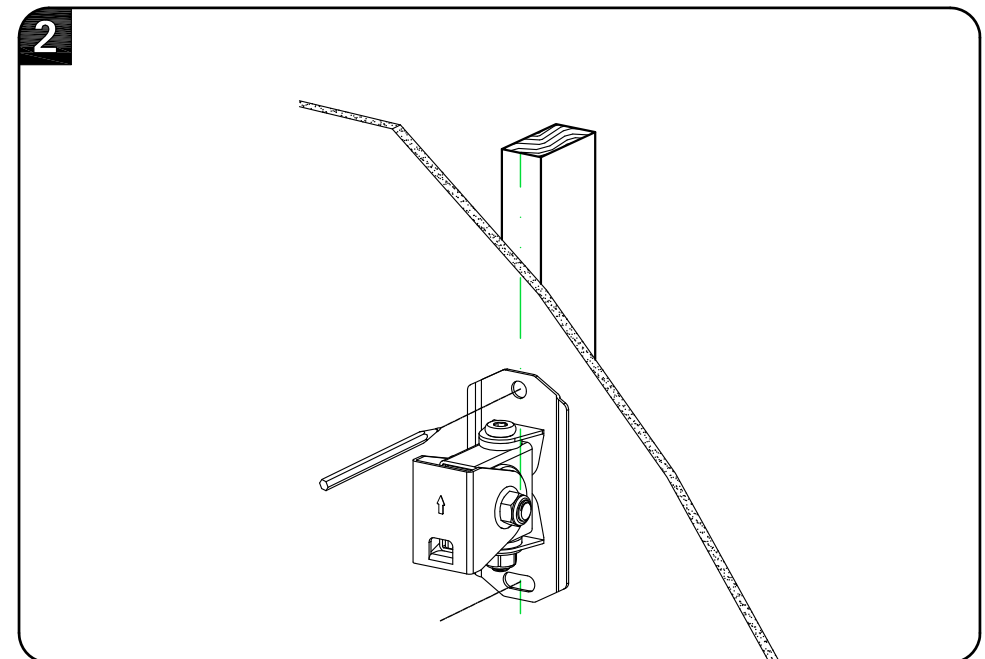
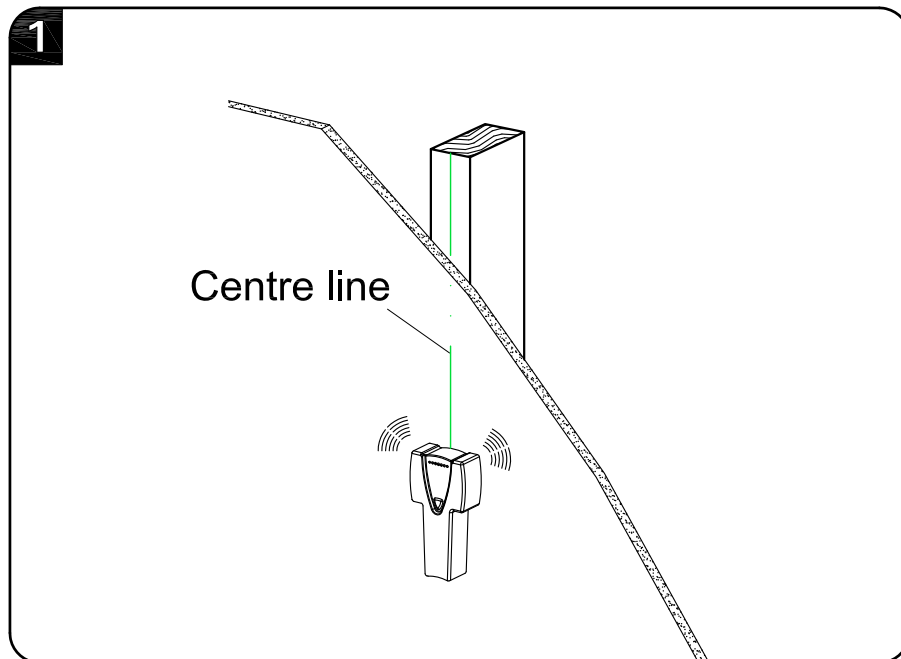
Contact us at telephone 1-800-460-0956 (USA)  
or mail to [customerservice@x-mount.com](mailto:customerservice@x-mount.com). to have  
these additional pieces shipped directly to you.

## STEP 2A Attach Wall Plate to Wall Wood Stud Option

**⚠ CAUTION:** Avoid potential personal injury or property damage!

- Drywall covering the wall, must not exceed 5/8 in. (16 mm)
- Minimum **wood stud** size: common 2 x 4 in. (51 x 102 mm) nominal 1½ x 3½ in. (38 x 89 mm)
- Stud center must be verified

1. Locate your studs. Verify and mark the center of the stud by finding the stud edges using, a thin nail, or an edge to edge stud finder.
2. Position the wall plate at your desired height and line up the holes with your stud center line. Level the wall plate and mark the hole locations.





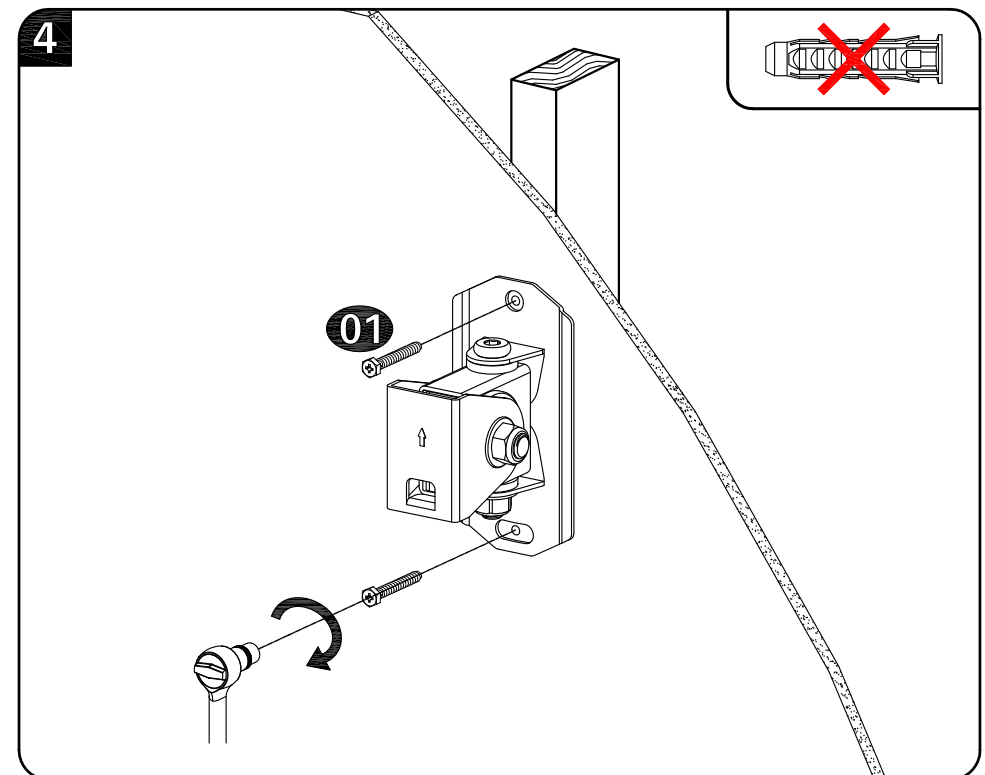
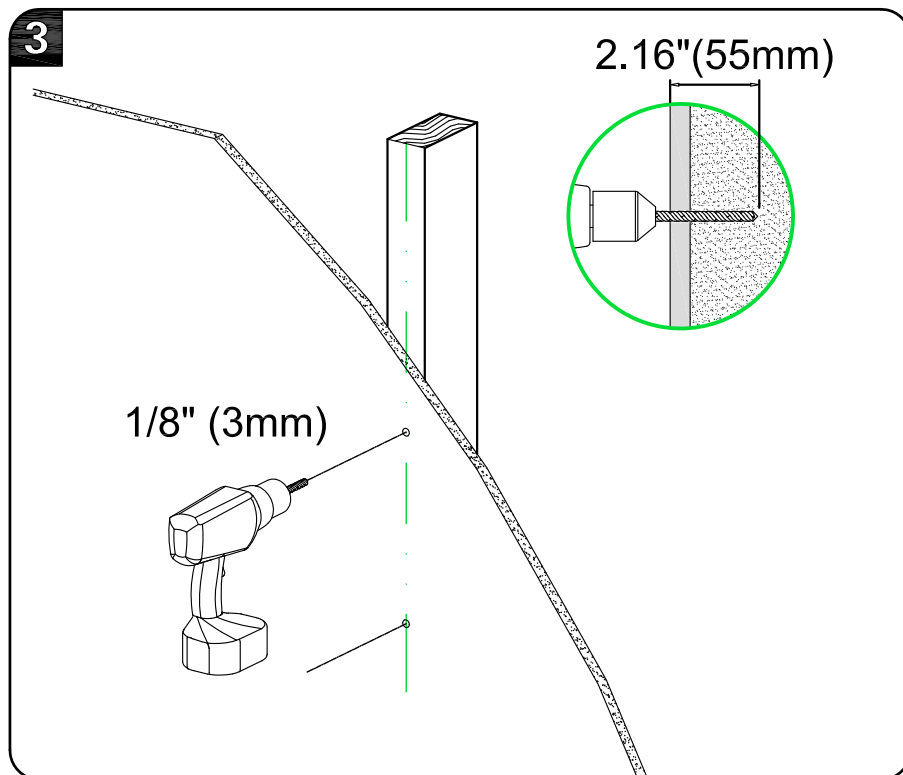
3. Drill pilot holes using a 1/8 in. (3 mm) diameter drill bit.

❗ **IMPORTANT:** Pilot holes must be drilled to a depth of 2.16 in. (55 mm). Be sure to drill into the center of the studs.

4. Install wall plate using two lag bolts 01 . Tighten the lag bolts only until they are pulled firmly against the wall plate.

⚠ **CAUTION:** Improper use could reduce the holding power of the lag bolt.  
**DO NOT over-tighten the lag bolts.**

Go to STEP 3 on PAGE 12.



## STEP 2B Attach Wall Plate to Solid Concrete Wall

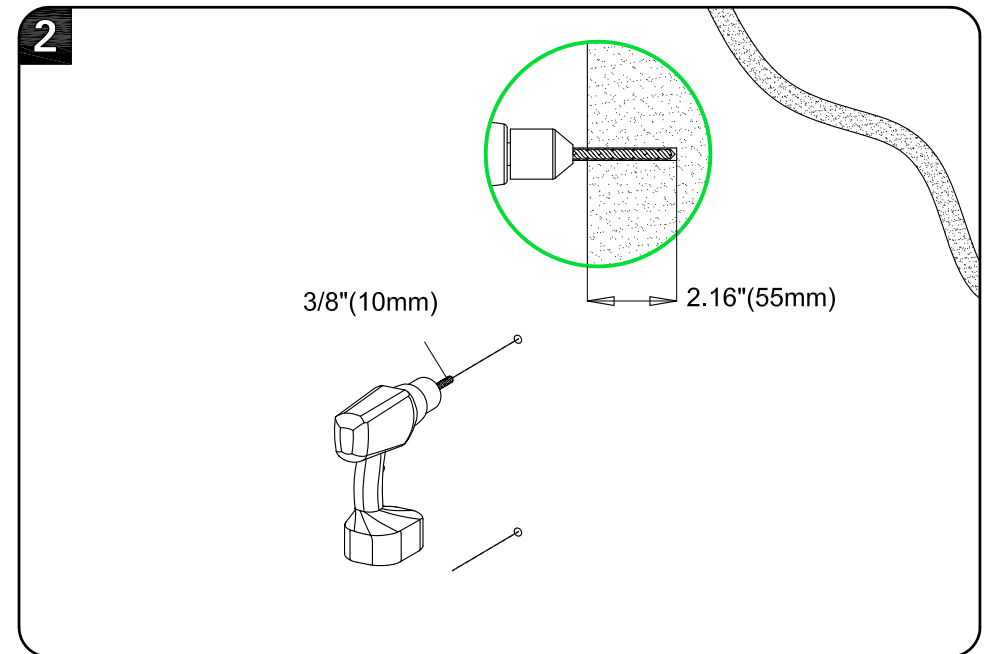
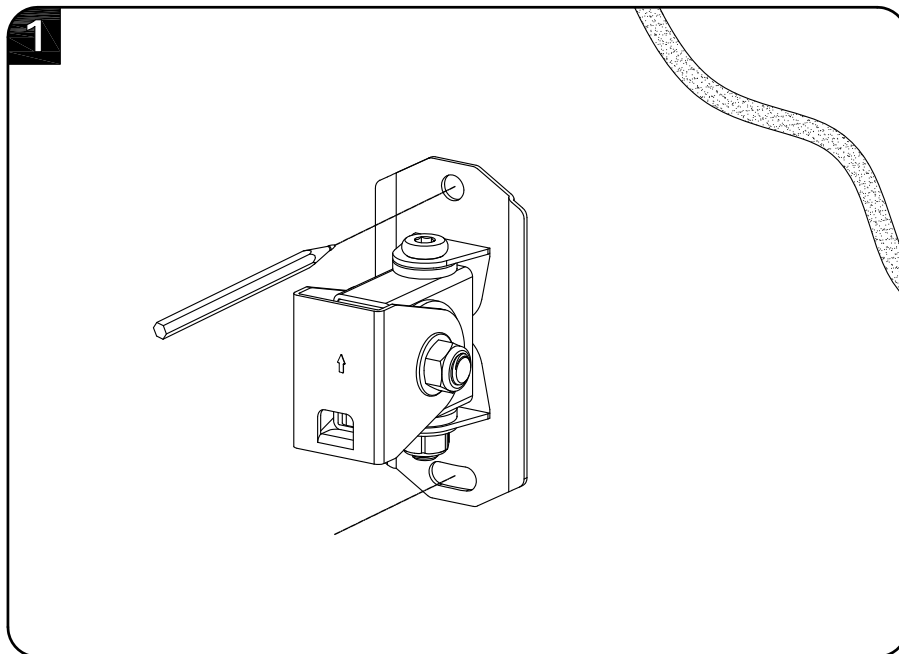
⚠️ **CAUTION:** Avoid potential personal injury or property damage!

- Mount the wall plate assembly directly onto the concrete surface
- Minimum **solid concrete** thickness: 8 in. (203 mm)

1. Position the wall plate on the wall at your desired height. Level the wall plate and mark the hole locations.

2. Drill two pilot holes using a 3/8 in. (10 mm) diameter masonry drill bit.

⚠️ **IMPORTANT:** Pilot holes must be drilled to a depth of 2.16 in. (55 mm).

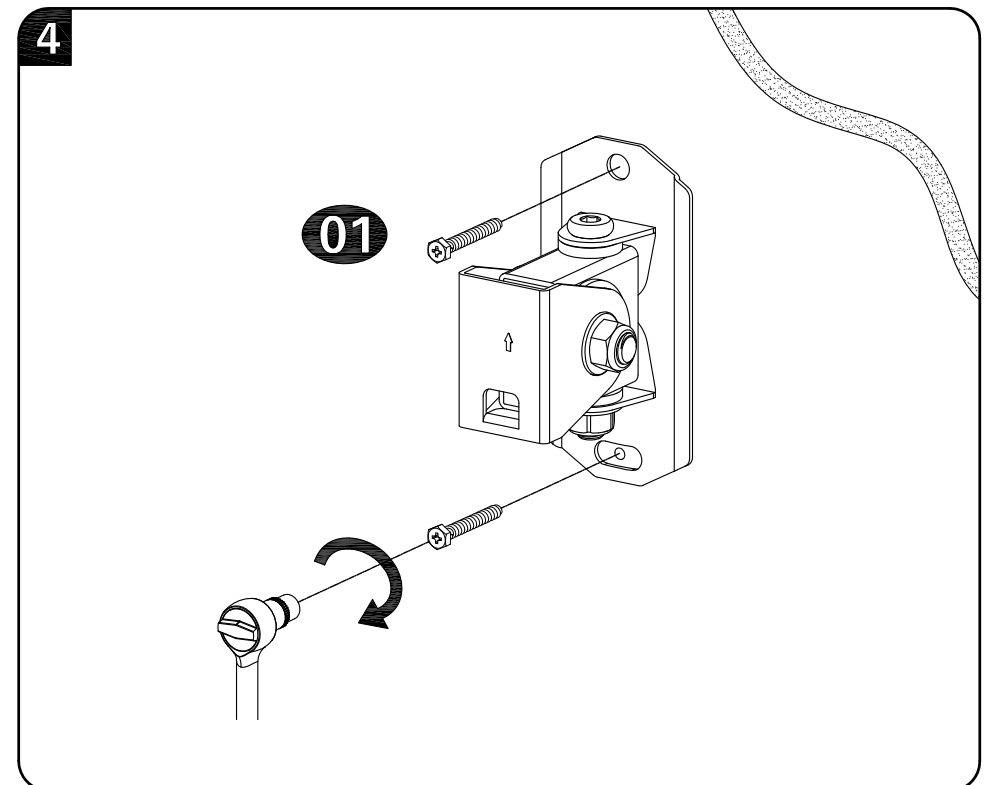
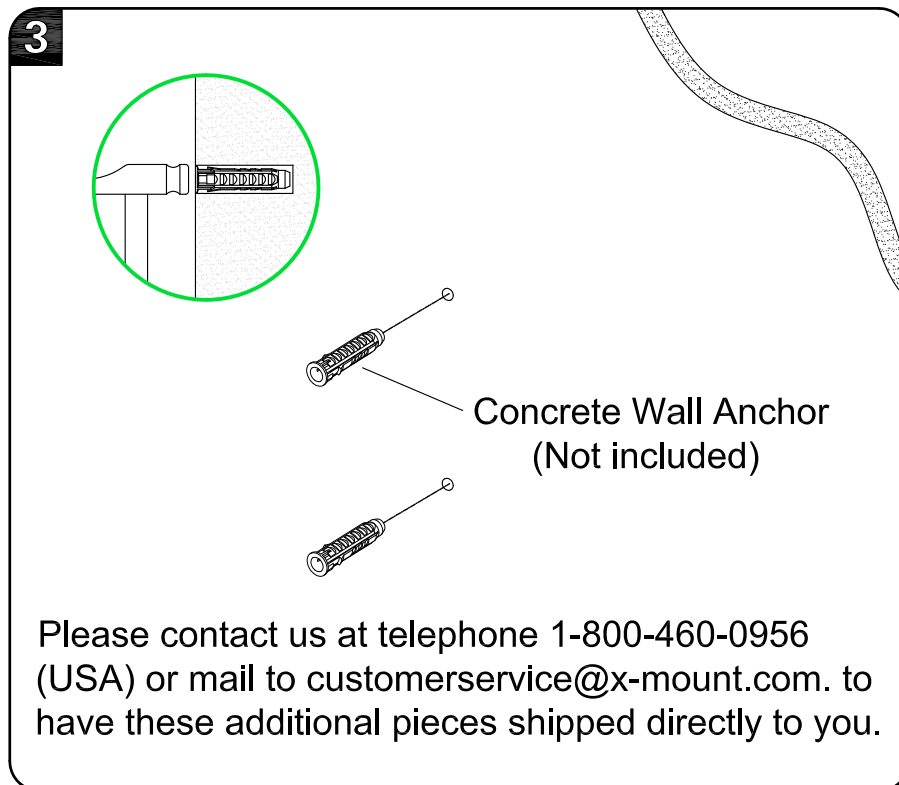


3. Insert two anchors.

▲ CAUTION: Be sure the anchors are seated flush with the concrete surface.

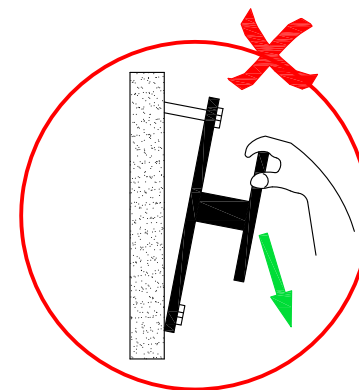
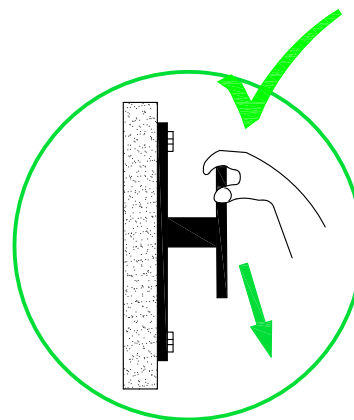
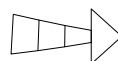
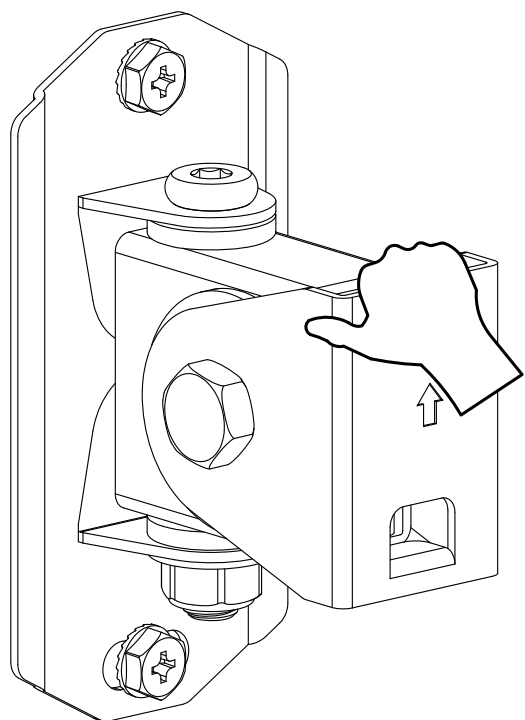
4. Insert wall plate using two lag bolts 01. Tighten the lag bolts only until they are pulled firmly against the wall plate.

▲ CAUTION: Improper use could reduce the holding power of the lag bolt.  
**DO NOT over-tighten the lag bolts.**



## STEP 3 Wall Plate Installation Integrity Test

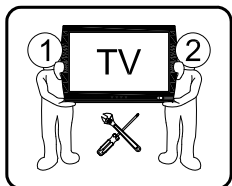
Before hanging TV, please try to pull the mount to make sure that it has been assembled on the wall tightly.



22 LBS (10 kg)

# STEP 4 Hang and Secure TV to Wall Plate

Hang TV/bracket assembly onto wall plate , tighten screw **02** .



**HEAVY!** You may need assistance with this step.

