

XFL006-1 INSTRUCTION MANUAL

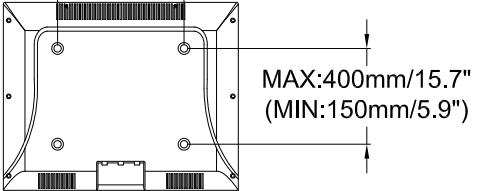

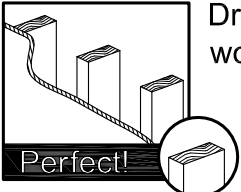
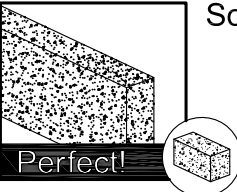
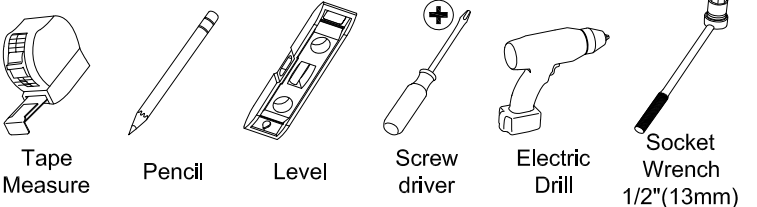
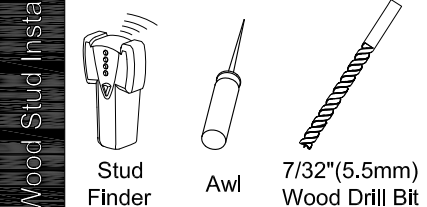
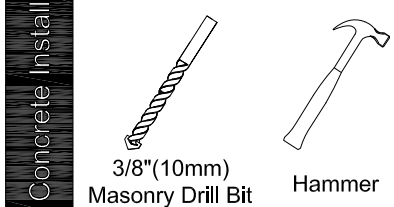
For 37-70" TV

If you have any questions along the way, just give us a call
1-800-460-0956 or mail to customerservice@x-mount.com.

We're ready to help!

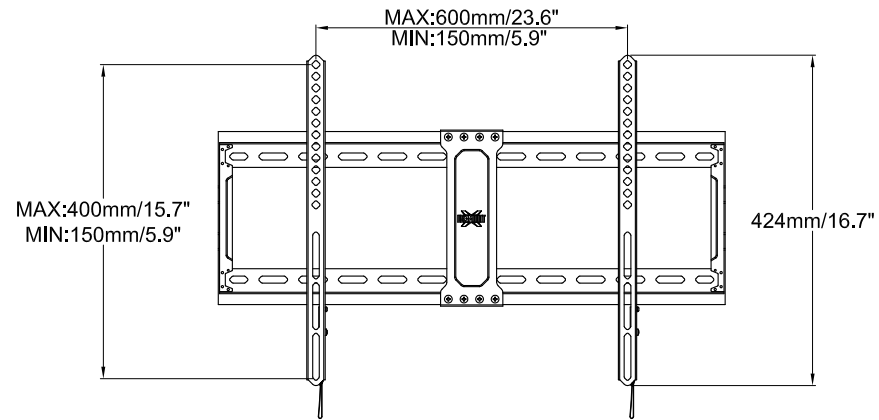
⚠ CAUTION: PLEASE READ ENTIRE MANUAL PRIOR TO USE AND SAVE THESE INSTRUCTIONS.

Before getting started, let's check below lists to make sure it is just right for you!

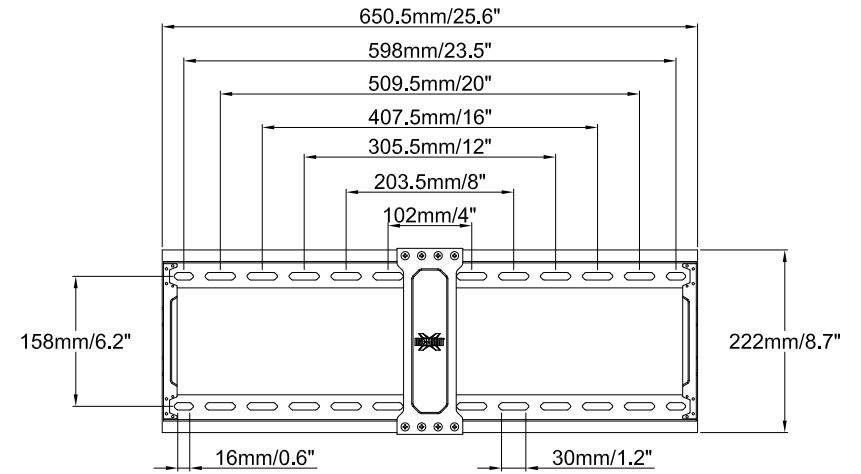
<p>1</p> <p>Check your TV VESA is within Min and Max size</p>	<p>MAX:600mm/23.6" (MIN:150mm/5.9")</p>  <p>MAX:400mm/15.7" (MIN:150mm/5.9")</p>	<p>No? This mount is NOT compatible.</p> <p>Yes? Perfect !</p>
<p>2</p> <p>Does your TV (including accessories) weigh MORE than 132 lbs. (60 kg)?</p>	 <p>No? Perfect – you may continue.</p> <p>Yes? This mount is NOT compatible.</p>	<p>⚠ CAUTION: DO NOT exceed the maximum weight indicated. This mounting system is intended for use only with the maximum weights indicated. Use with products heavier than the maximum weights indicated may result in collapse of the mount and its accessories, causing possible injury.</p>
<p>3</p> <p>What is your wall made of?</p>	<p>Drywall with wood studs?</p>  <p>Perfect!</p> <p>⚠ CAUTION: DO NOT install into drywall alone</p>  <p>Perfect!</p> <p>Solid concrete</p>	<p>? Unsure? Call Customer Service: 1-800-460-0956</p>
<p>4</p> <p>Do you have all the tools needed? (Not included)</p>	 <p>Tape Measure Pencil Level Screw driver Electric Drill Socket Wrench 1/2"(13mm)</p> <p>Wood Stud Install</p>  <p>Stud Finder Awl 7/32"(5.5mm) Wood Drill Bit</p> <p>Concrete Install</p>	 <p>3/8"(10mm) Masonry Drill Bit Hammer</p>
<p>5</p> <p>Caution</p>	<ul style="list-style-type: none"> • This product is designed for use in wood stud, solid concrete walls - DO NOT install into drywall alone • The wall must be capable of supporting five times the weight of the TV and mount itself • Do not use this product for any purpose not explicitly specified by manufacturer • Manufacturer is not responsible for damage or injury caused by incorrect assembly or use 	

Product dimensions:

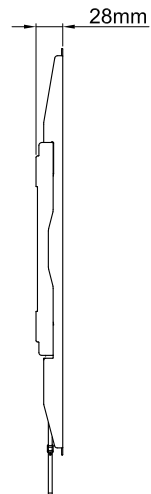
TV INTERFACE



WALL PLATE



SIDE VIEW



STEP 1 Attach Brackets to TV

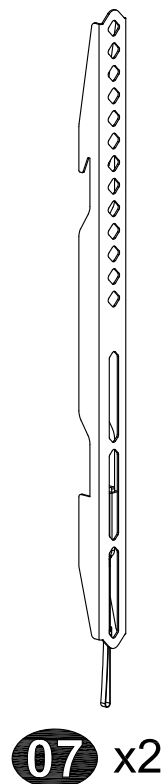
Parts and Hardware

⚠ WARNING: This product contains small items that could be a choking hazard if swallowed. Before starting assembly, verify all parts are included and undamaged. If any parts are missing or damaged, do not return the damaged item to your dealer; contact Customer Service.

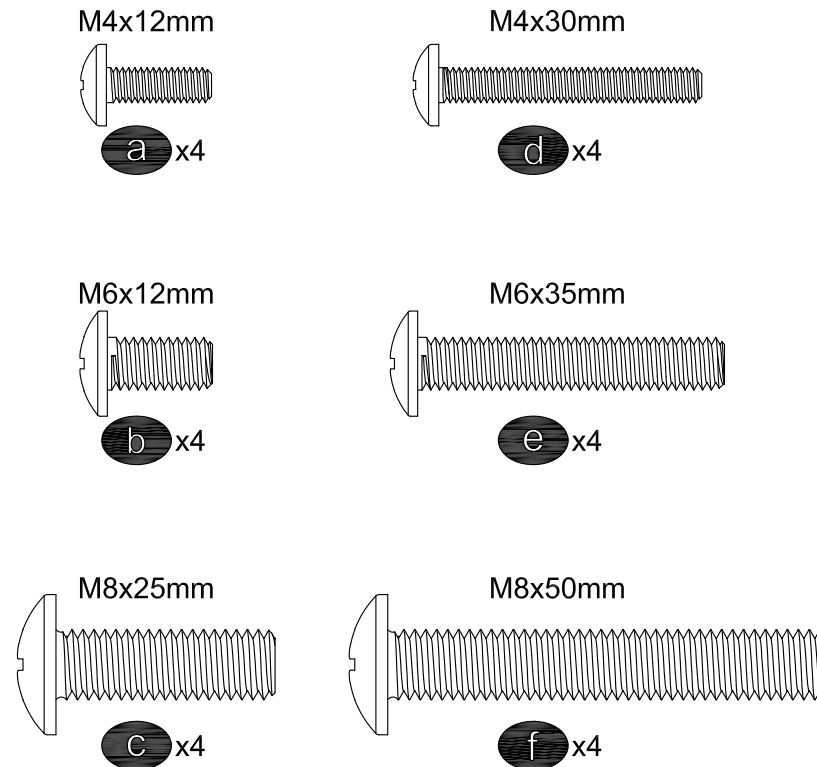
Never use damaged parts!

📄 NOTE: Not all hardware included will be used.

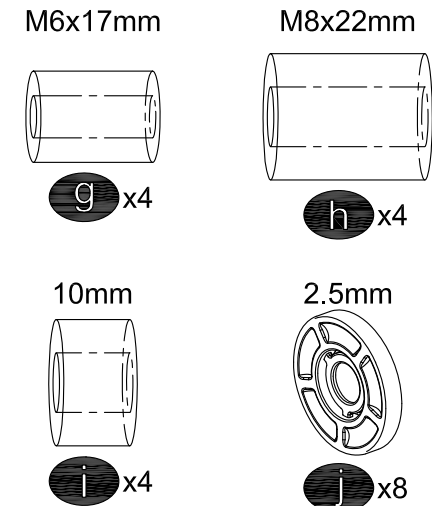
TV Brackets



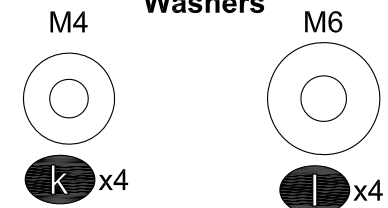
TV Screws



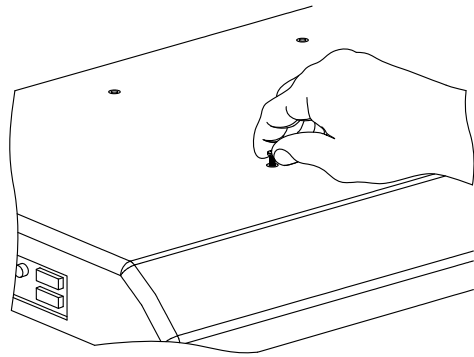
Spacers



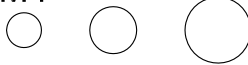
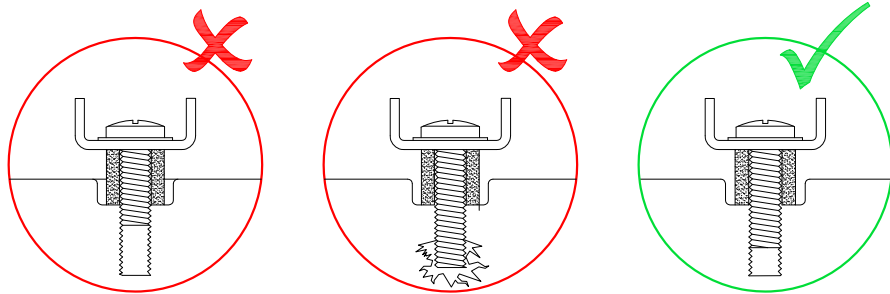
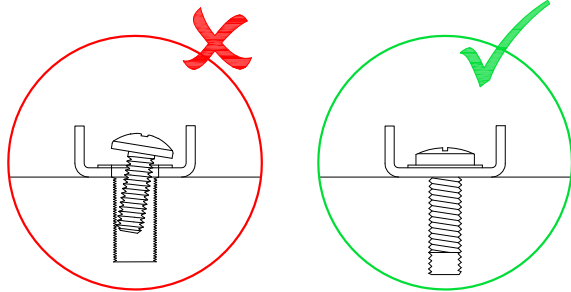
Washers



1-1 Select TV Screws

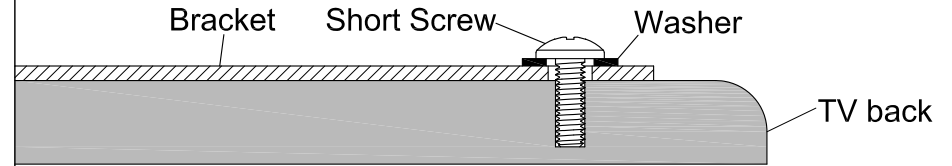


M4 M6 M8

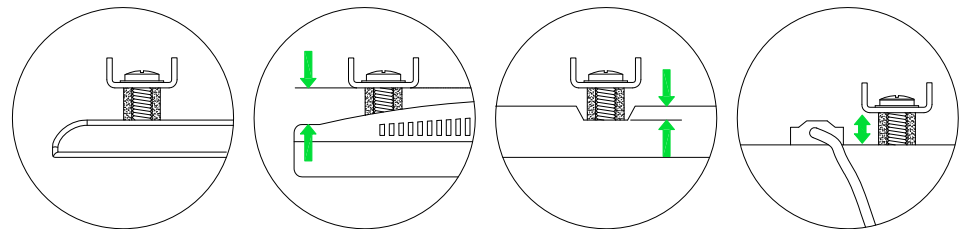
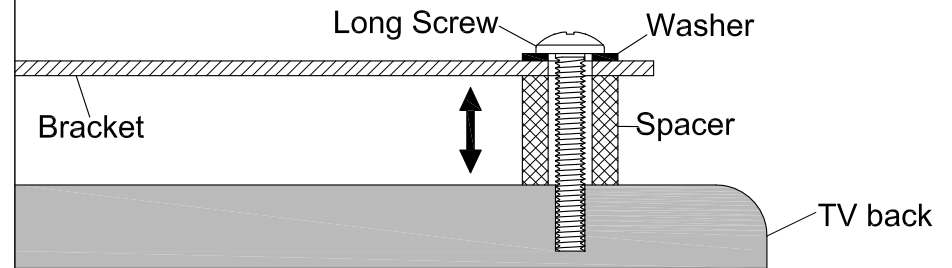



1-2 Need Spacer?

I Yes, go to PAGE 6 **I** for detailed combination.

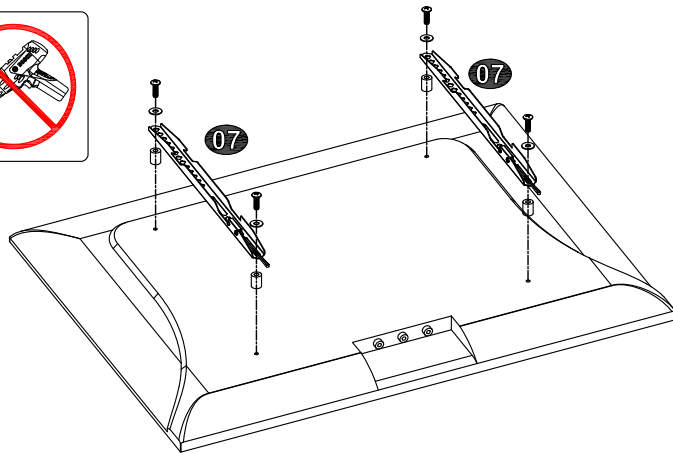
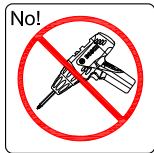


II No, go to PAGE 6 **II** for detailed combination.

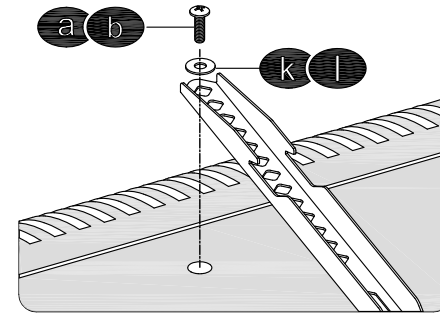


Highly recommended to add spacers for more spacing between wall mount and wall.

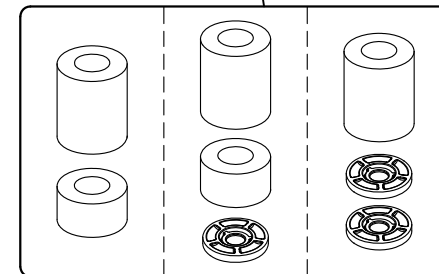
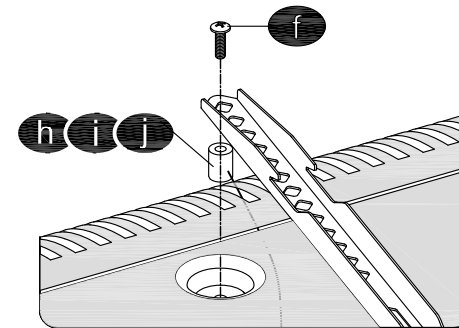
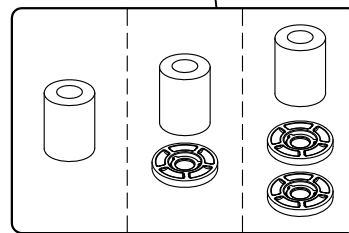
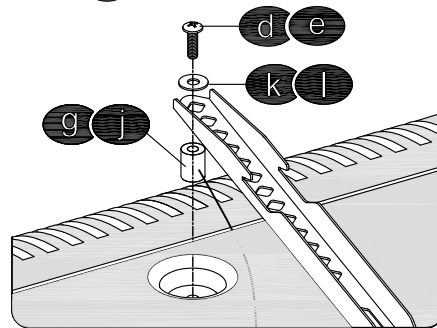
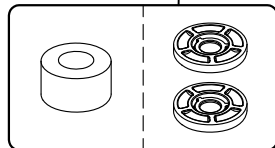
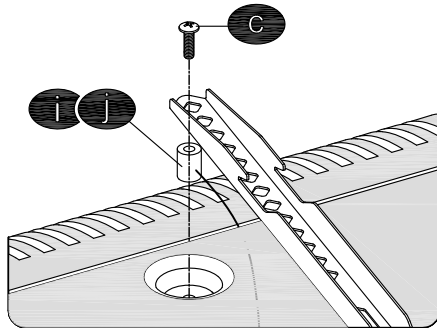
1-3 Attach the TV Brackets



I Screw and washer





II Spacer(s), screw and washer



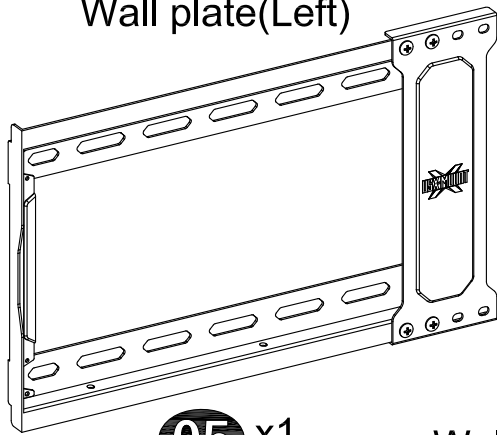
Tips: If you need to combine M6/M8(c/e/f) screw with 2.5mm spacer(j), you have to remove the inner circle.

STEP 2 Attach Wall Plate to Wall

-  For wood stud installation, follow STEP 2A on PAGE 9
-  For concrete installation, follow STEP 2B on PAGE 12

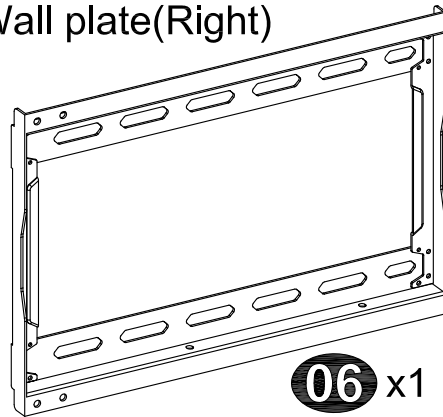
Parts and Hardware

Wall plate(Left)



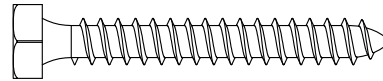
05 x1

Wall plate(Right)



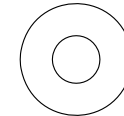
06 x1

Lag Bolt M8x60mm



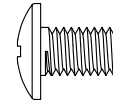
01 x4

M8 Washer



02 x4

M5x8mm Bolt



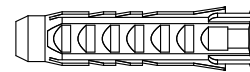
03 x4

Allen Key



04 x1

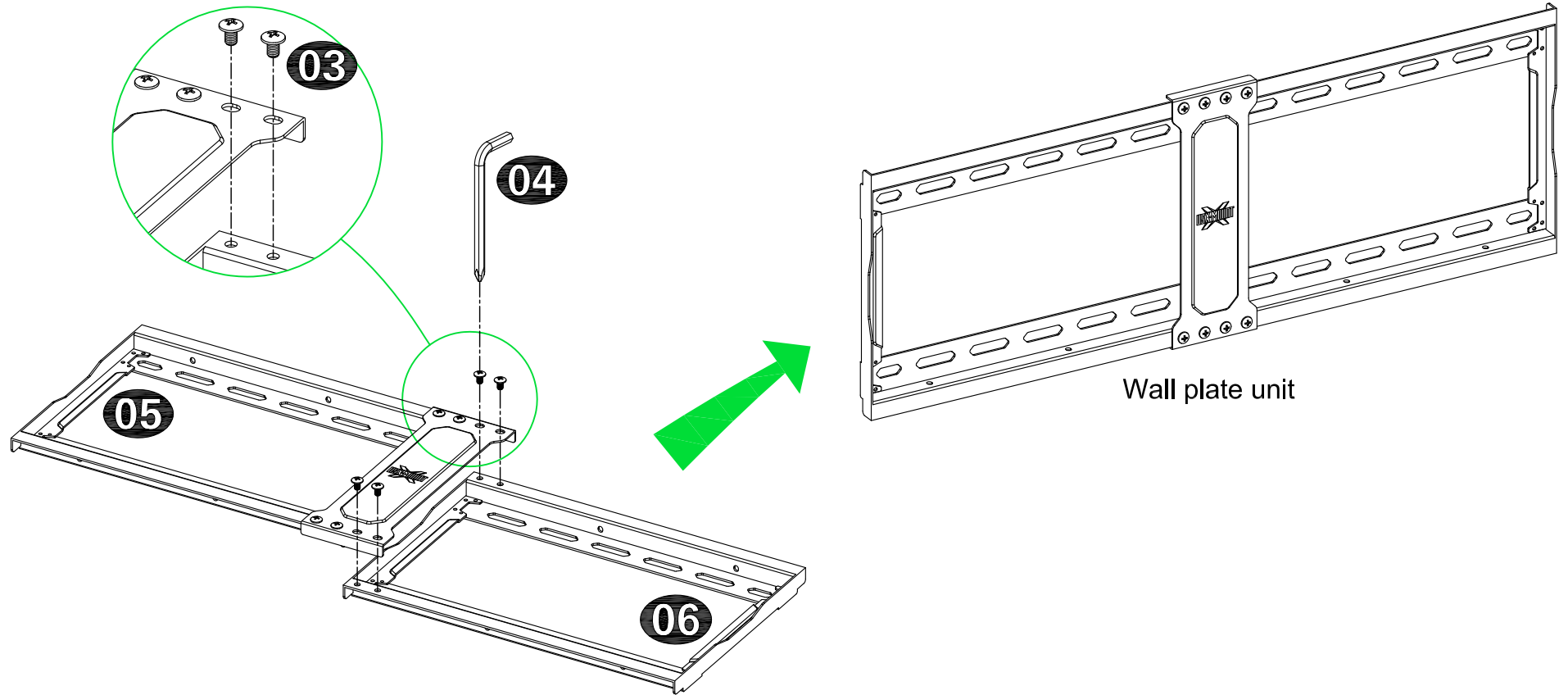
Concrete wall anchor (NOT INCLUDED)



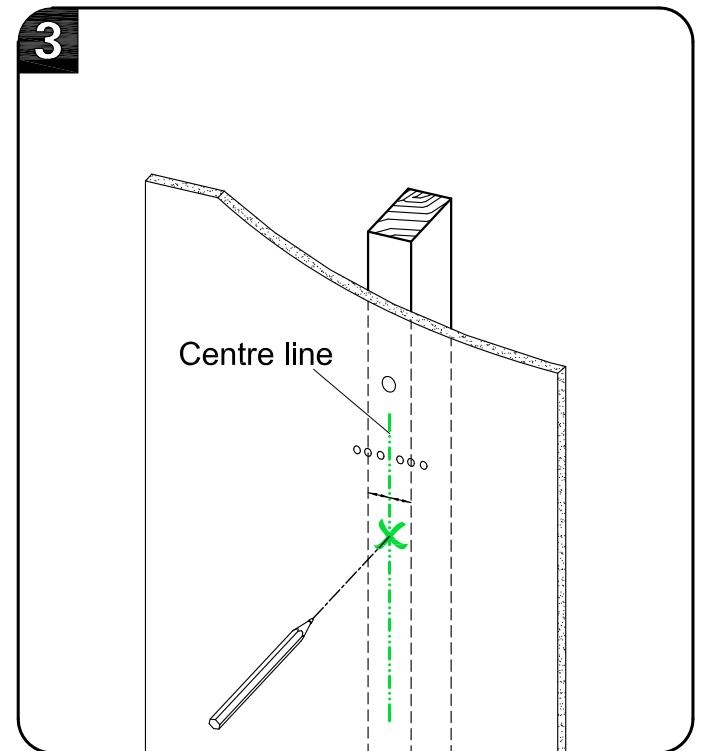
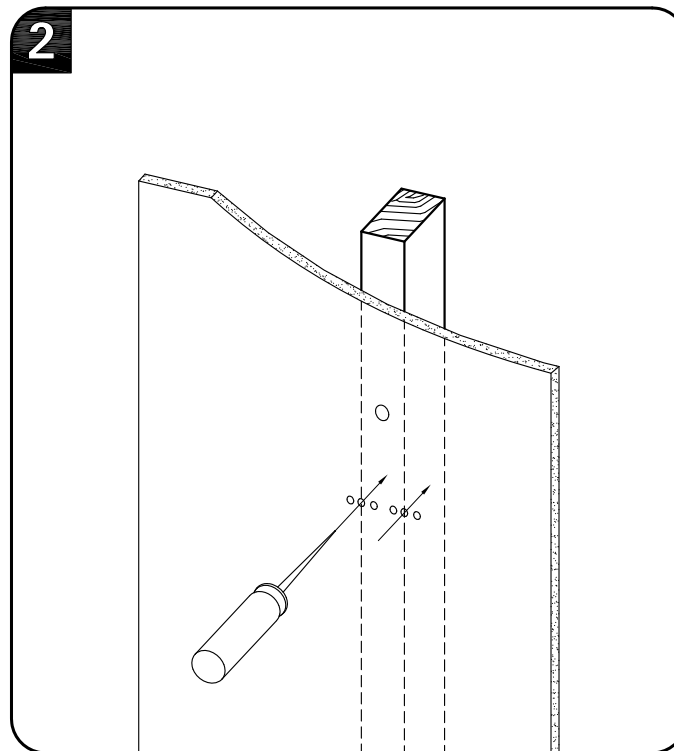
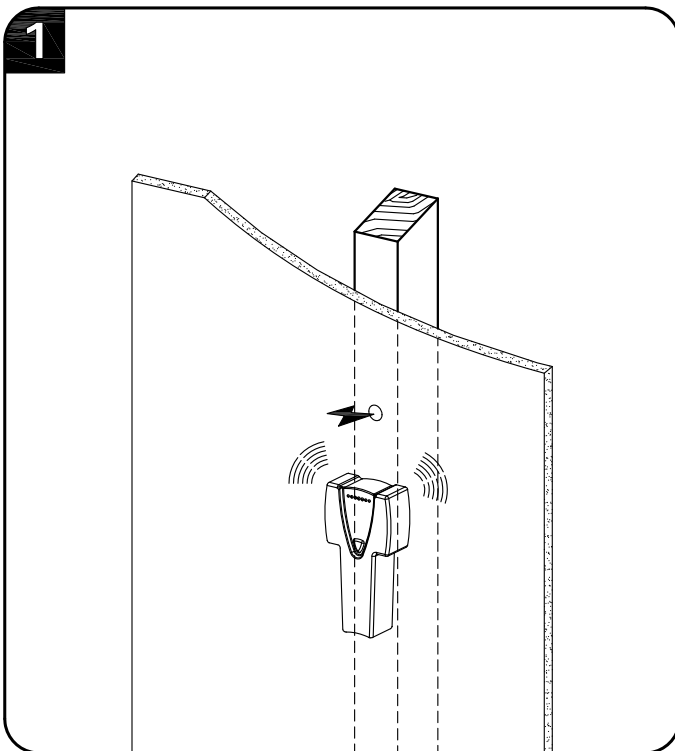
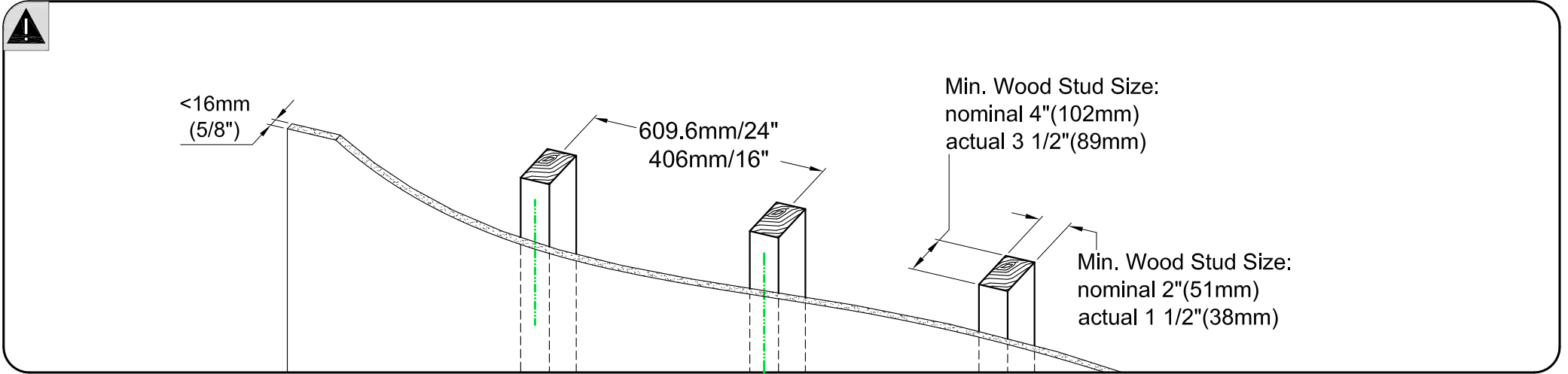
Concrete Wall Anchor
4pcs

Contact us at telephone 1-800-460-0956 (USA)
or mail to customerservice@x-mount.com. to have
these additional pieces shipped directly to you.

Assemble Wall plate

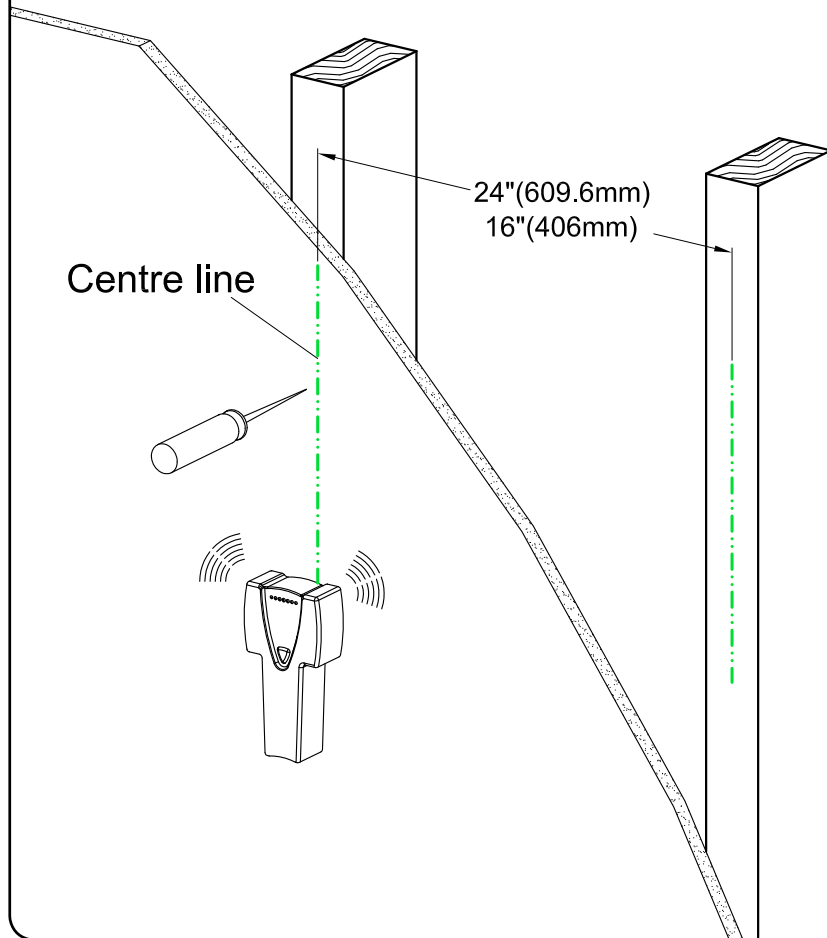


STEP 2A Wood Stud Installation

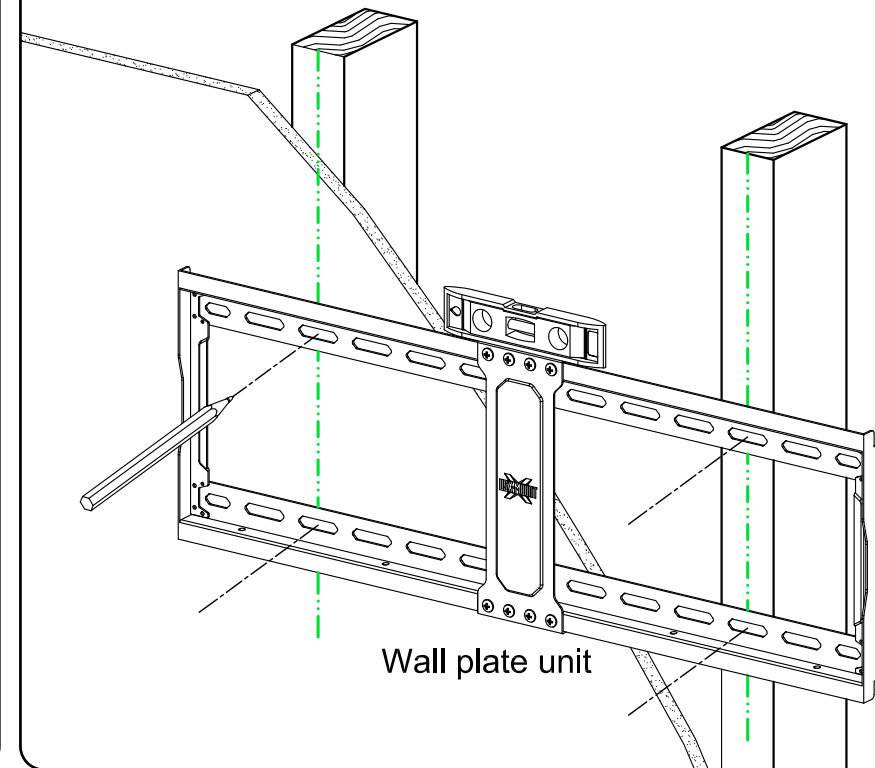


4

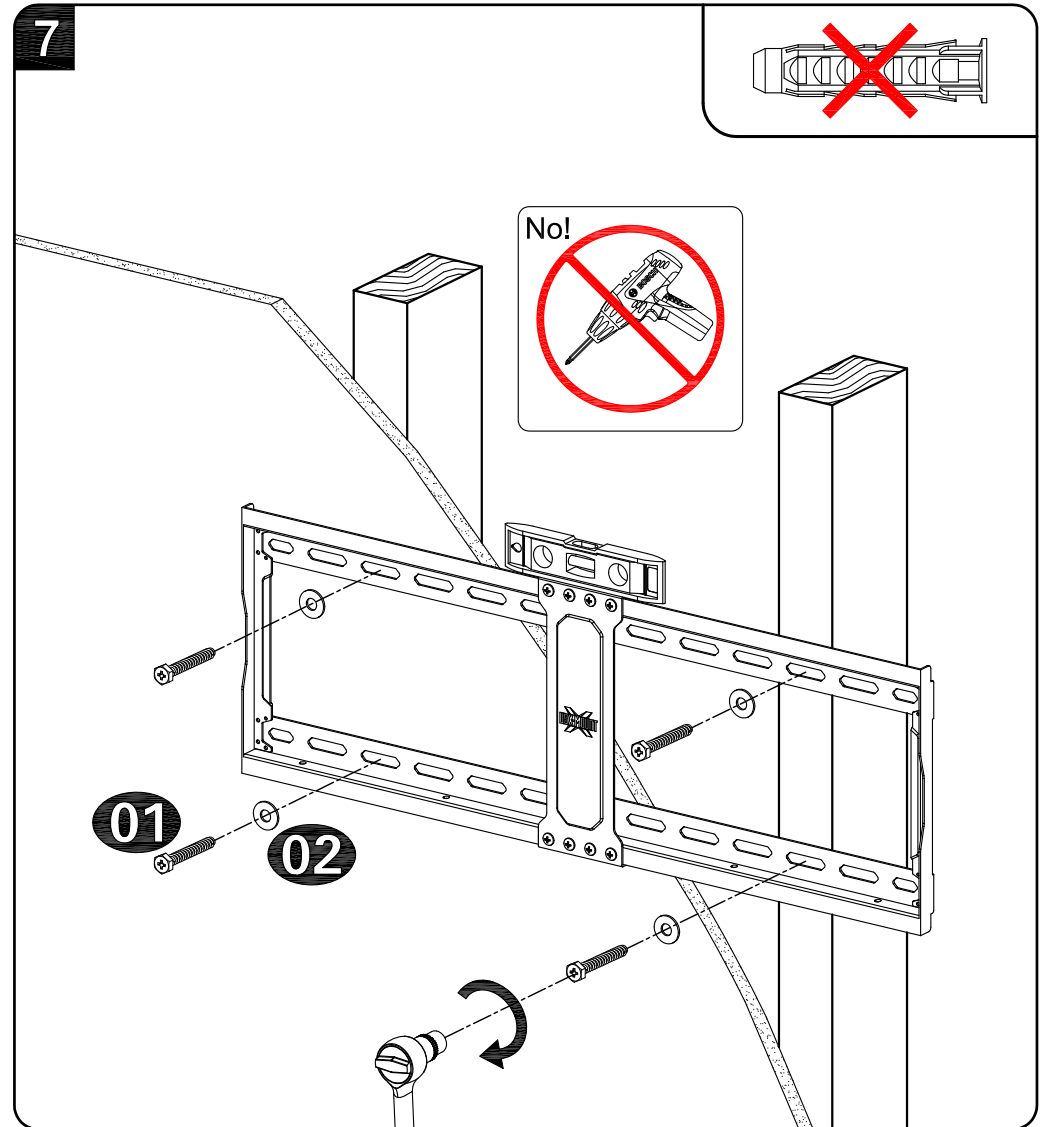
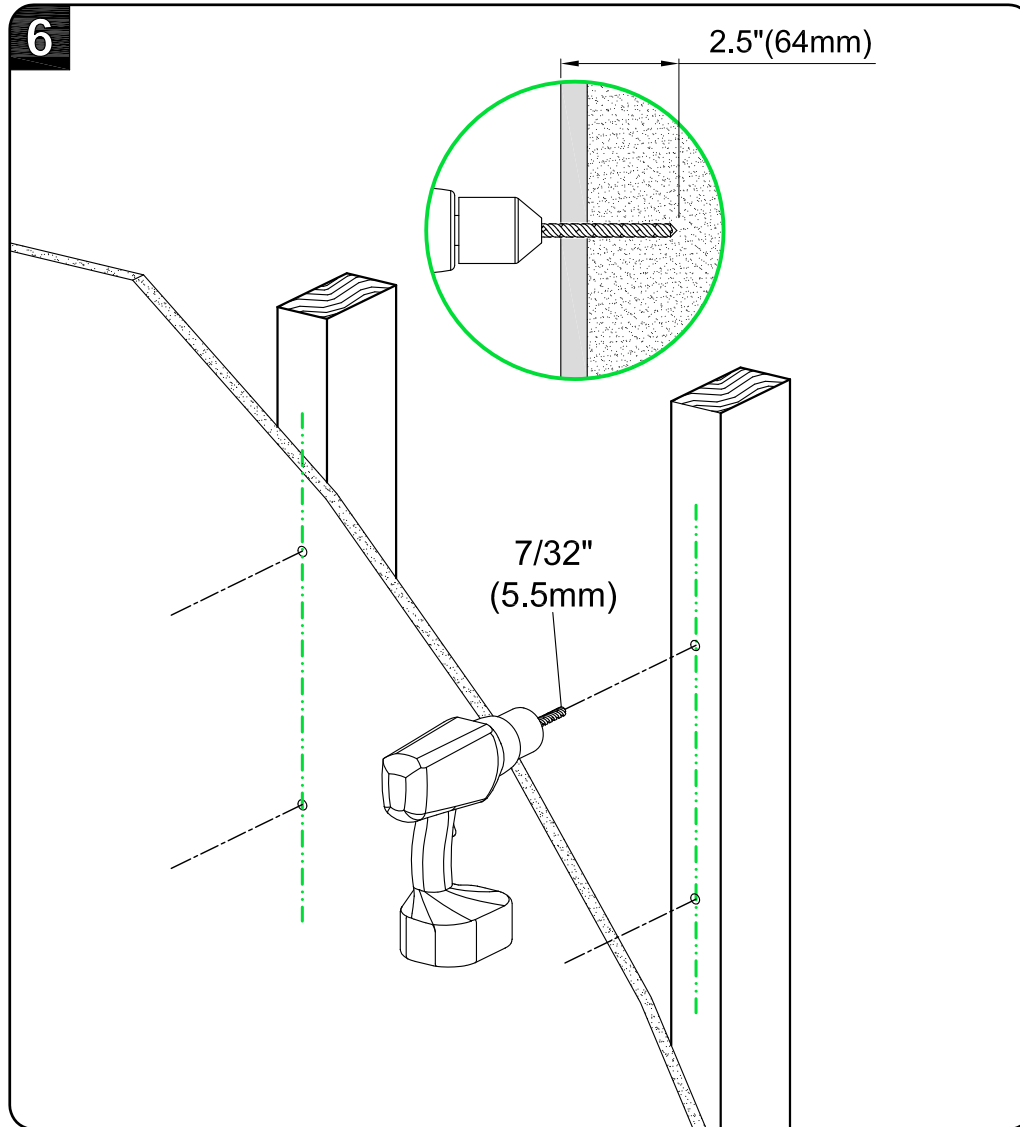
Again, find another wood stud



5

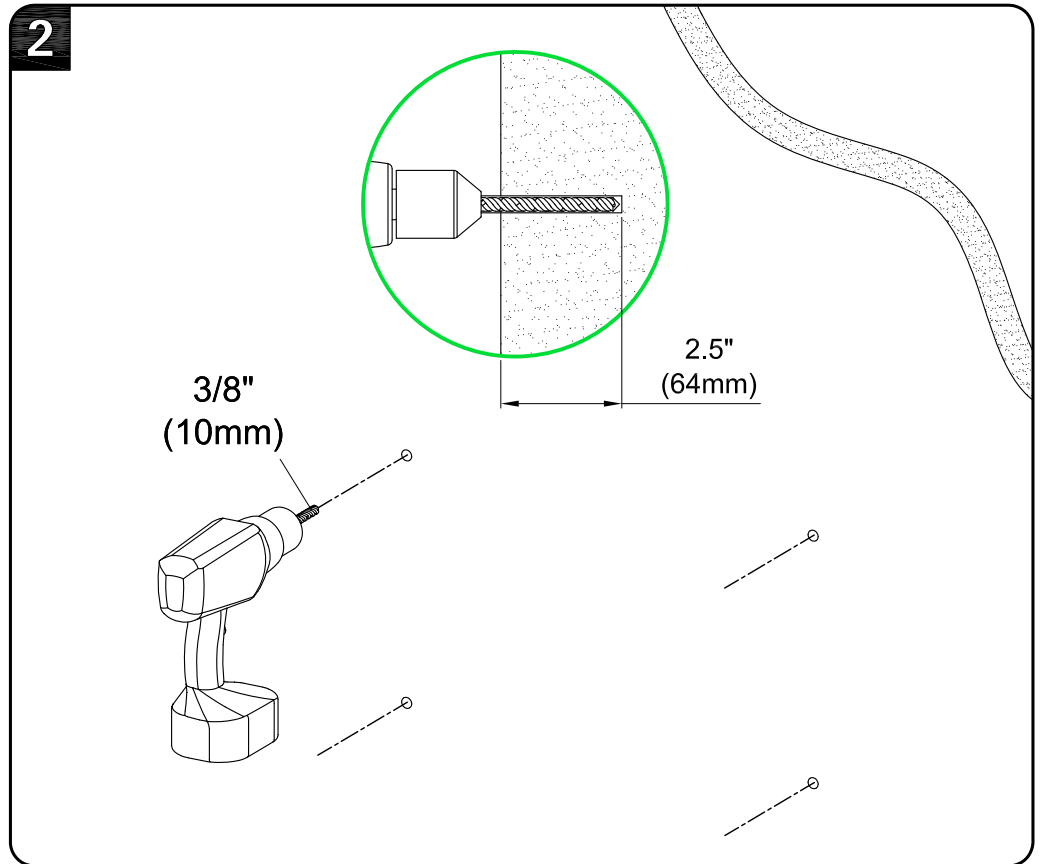
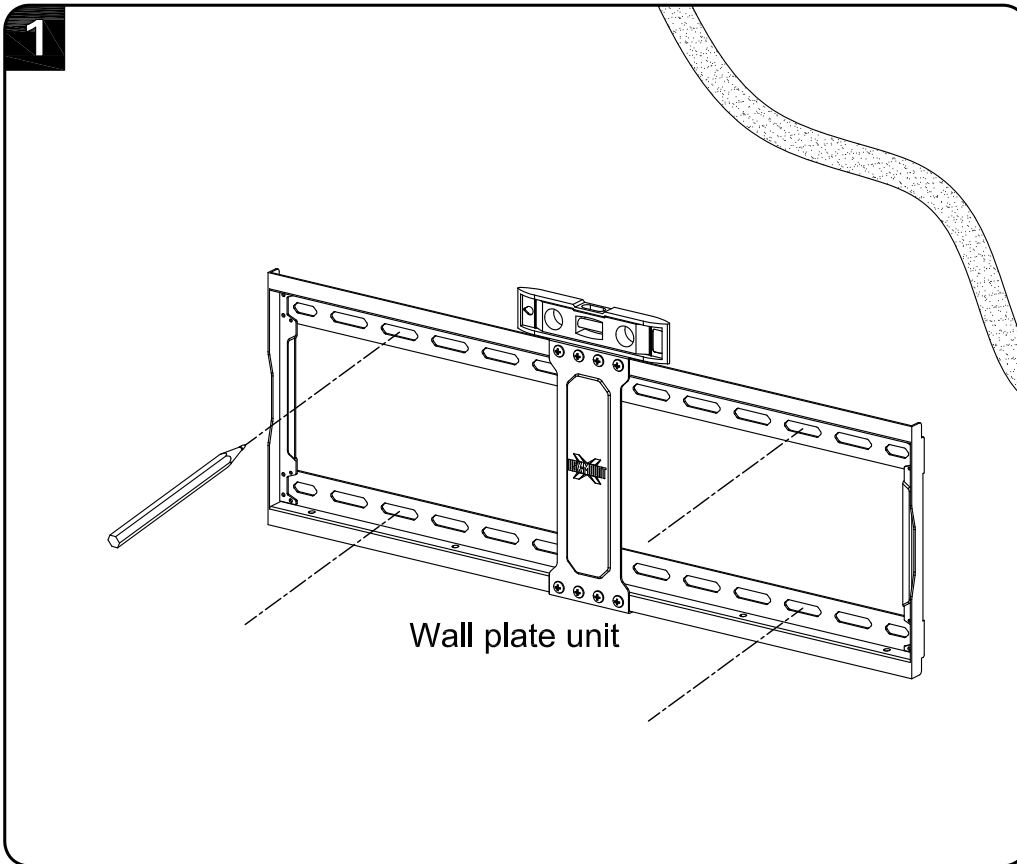
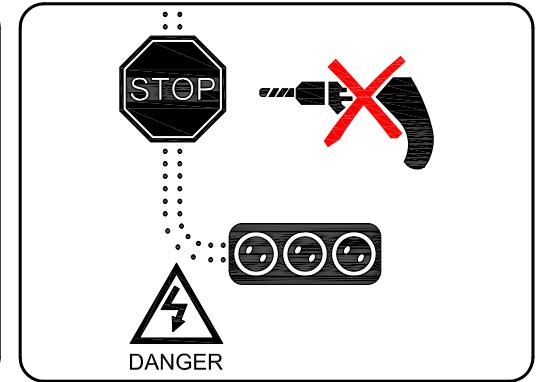
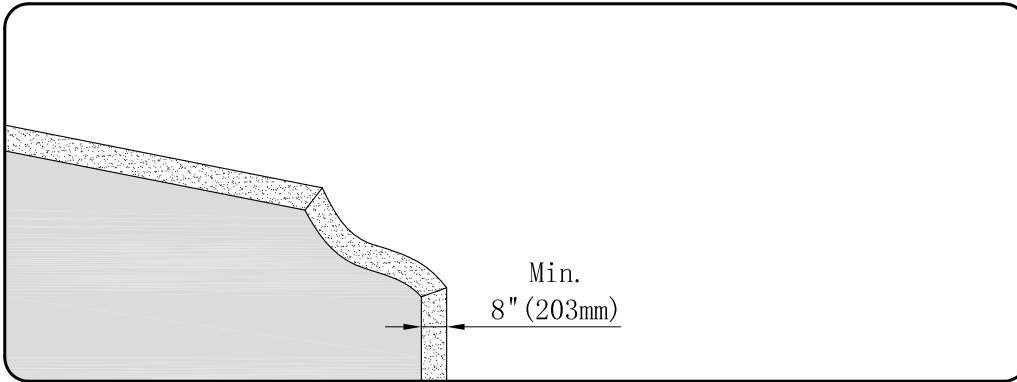


⚠ CAUTION: To avoid potential personal injury or property damage:
All 4 lag bolts **01** MUST BE firmly tightened to prevent unwanted movement of the wall plate assembly.
Ensure the wall plate assembly is securely fastened to the wall before continuing on to the next step.



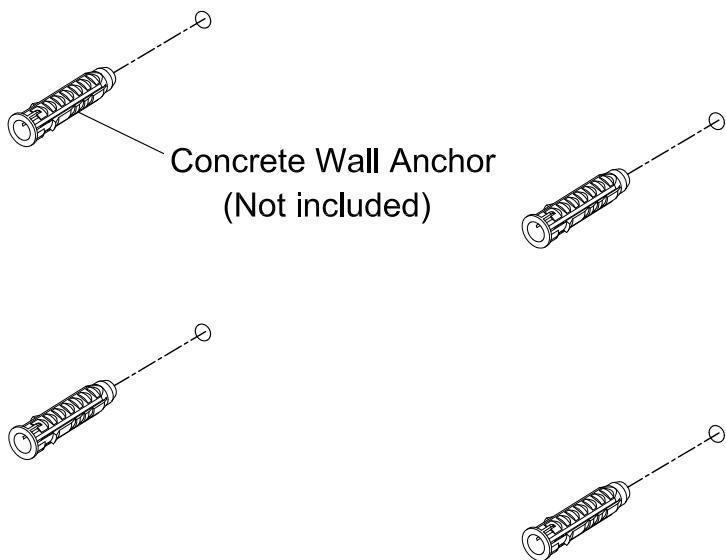
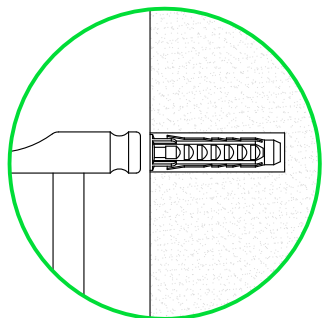
Go to Step 3 on PAGE 14.

STEP 2B Solid Concrete Wall Installation



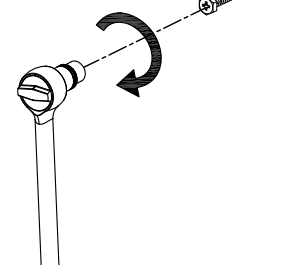
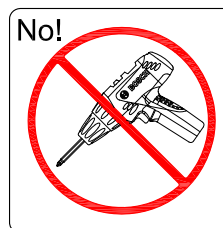
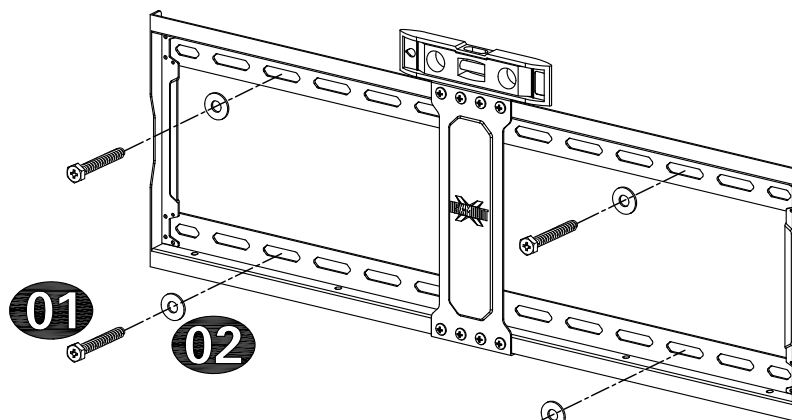
⚠ CAUTION: To avoid potential personal injury or property damage:
All 4 lag bolts **01** MUST BE firmly tightened to prevent unwanted movement of the wall plate assembly.
Ensure the wall plate assembly is securely fastened to the wall before continuing on to the next step.

3



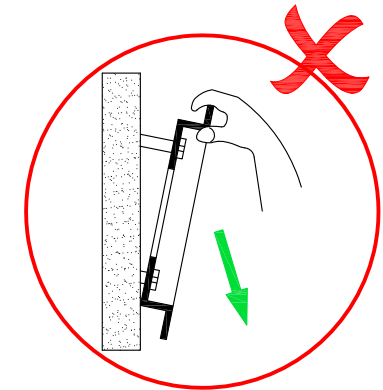
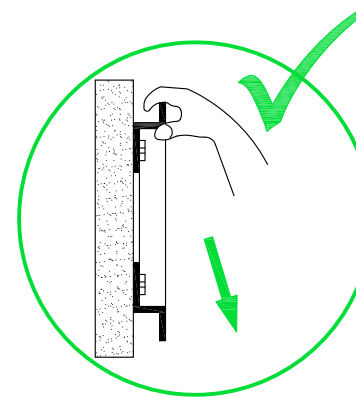
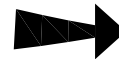
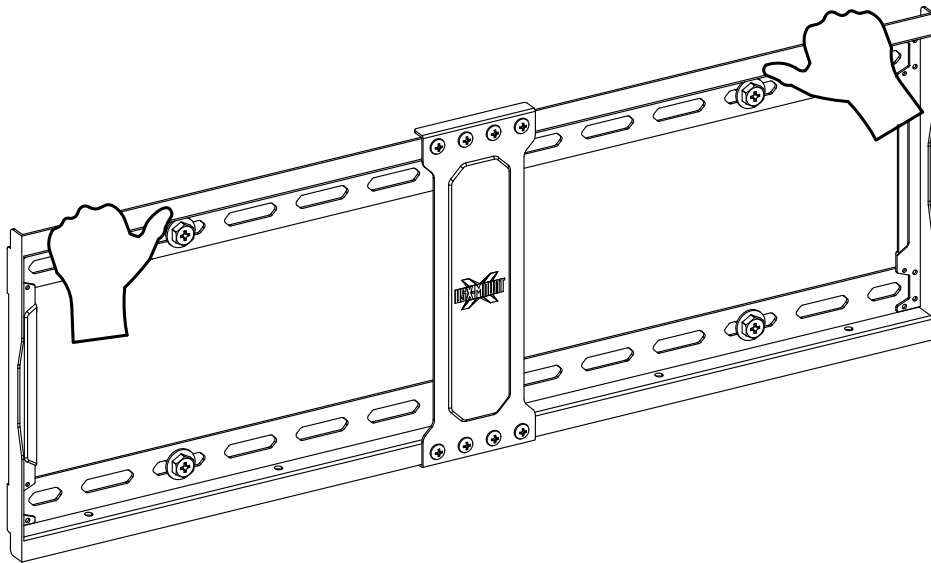
Please contact us at telephone 1-800-460-0956 (USA) or mail to customerservice@x-mount.com. to have these additional pieces shipped directly to you.

4

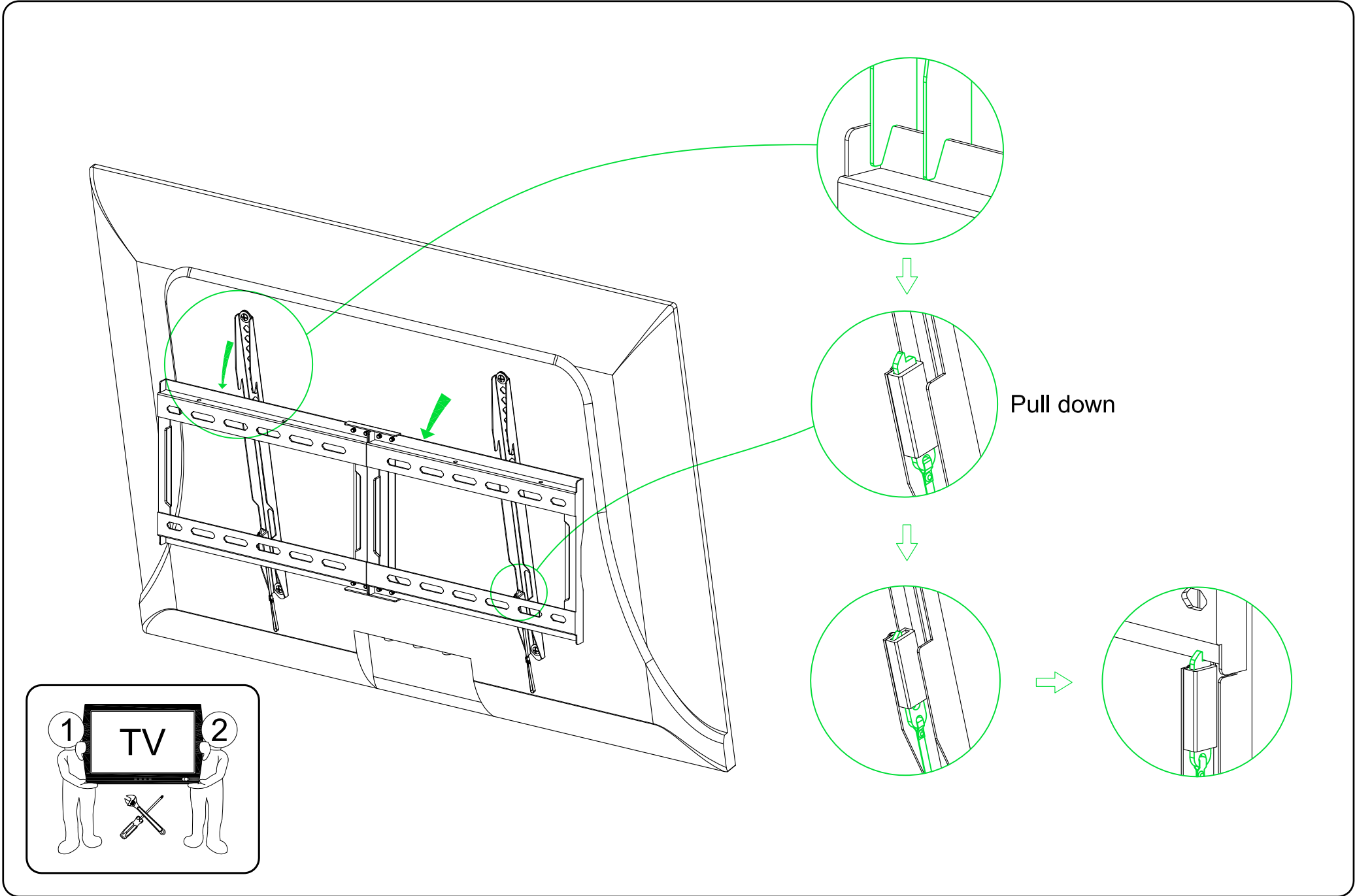


STEP 3 Hang and Secure TV to Wall Plate

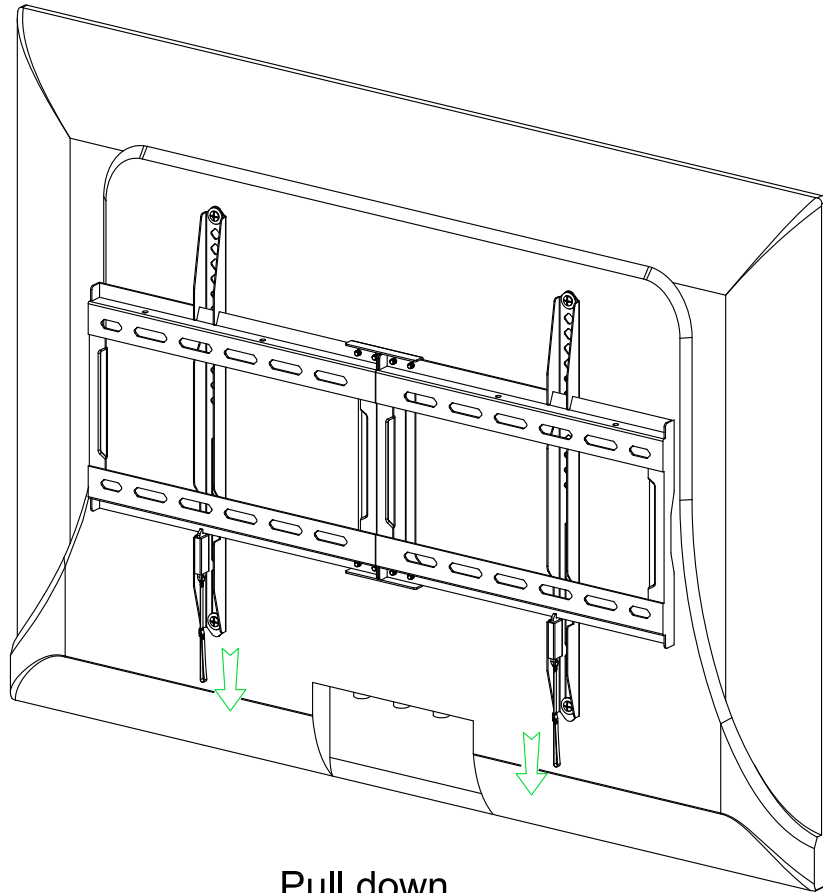
Before hanging TV, please conduct "wall plate installation integrity test" first.



132 LBS (60 kg)



Take Down the TV from the Mount



Pull down
the straps

