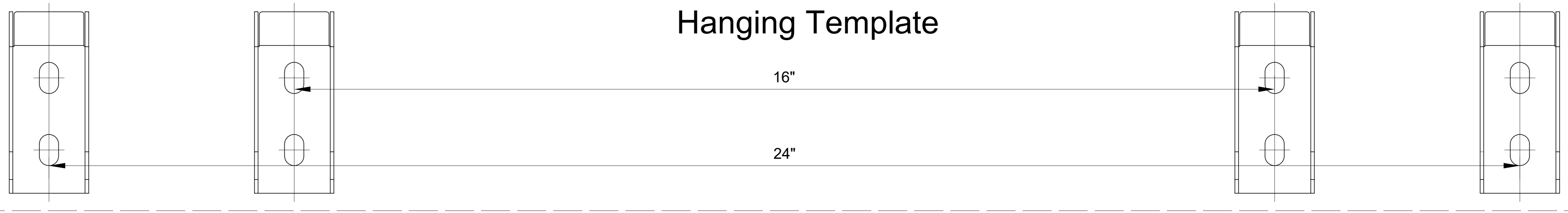


Hanging Template

16"

24"



XAS006-01 INSTRUCTION MANUAL

If you have any questions along the way, just give us a call
1-800-460-0956 or message to us. We're ready to help!

USA-B1

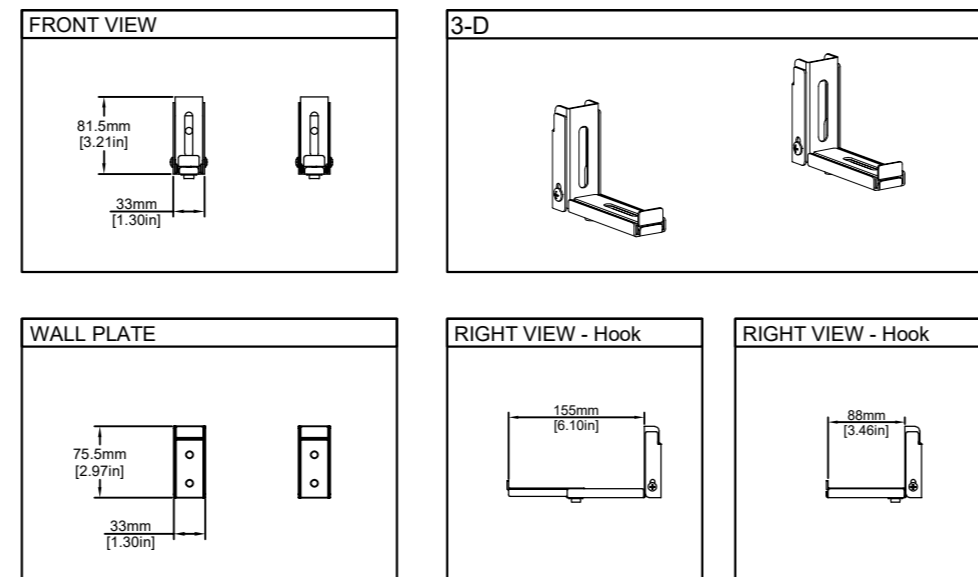
CAUTION: PLEASE READ ENTIRE MANUAL PRIOR TO USE AND SAVE THESE INSTRUCTIONS

Before getting started, let's check below lists to make sure it is just right for you!

1	<p>Does your soundbar (including accessories) weigh MORE than 13.2 lbs. (6 kg)?</p>	<p>No? Perfect – you may continue. Yes? This mount is NOT compatible.</p>	<p>CAUTION! DO NOT exceed the maximum weight indicated. This mounting system is intended for use only with the maximum weights indicated. Use with products heavier than the maximum weights indicated may result in collapse of the mount and its accessories, causing possible injury.</p>	
2	<p>If you want to mount on the wall, you should know what your wall made of.</p>	<p>Drywall with wood studs?</p>	<p>Solid concrete?</p>	<p>Unsure? Call Customer Service: 1-800-460-0956</p>
3	<p>Do you have all the tools needed? (NOT INCLUDE)</p>			
4	<p>CAUTION</p>	<ul style="list-style-type: none"> Do not use this product for any purpose not explicitly specified by manufacturer Manufacturer is not responsible for damage or injury caused by incorrect assembly or use 		

2

Dimensions

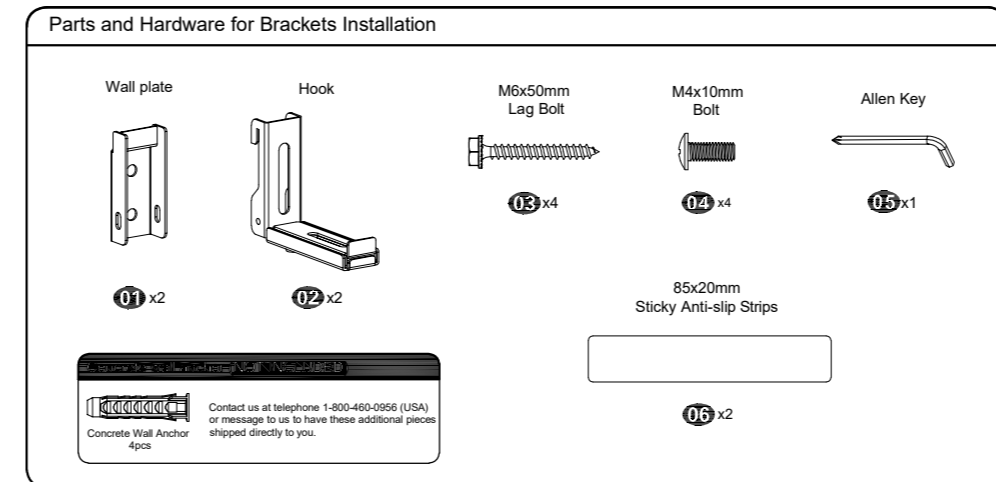


3

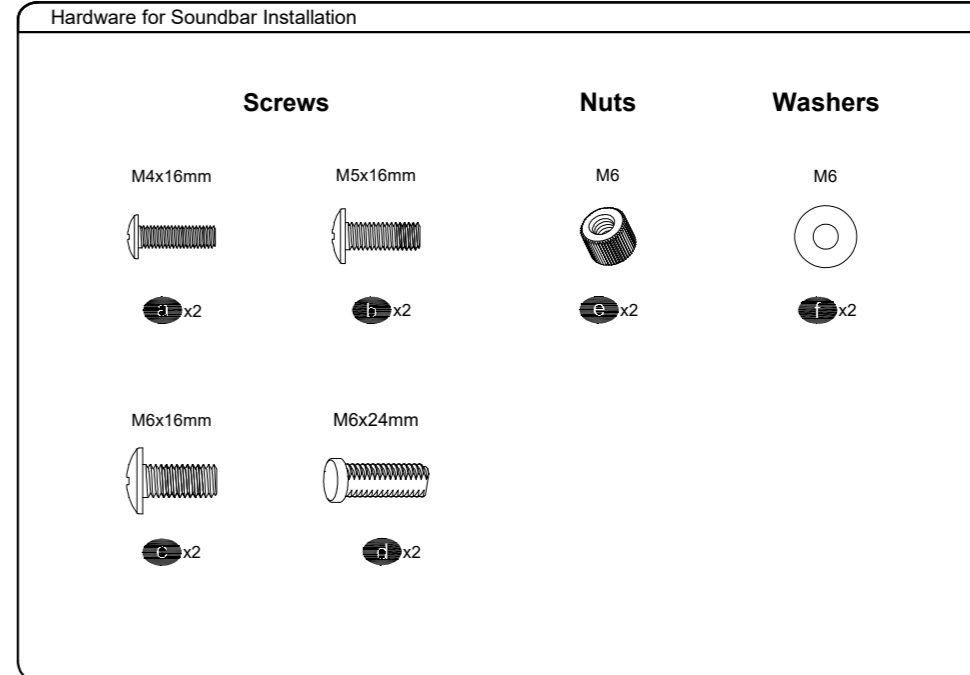
Parts and Hardware

WARNING: This product contains small items that could be a choking hazard if swallowed. Before starting assembly, verify all parts are included and undamaged. If any parts are missing or damaged, do not return the damaged item to your dealer; contact Customer Service.
Never use damaged parts!

NOTE: Not all hardware included will be used.

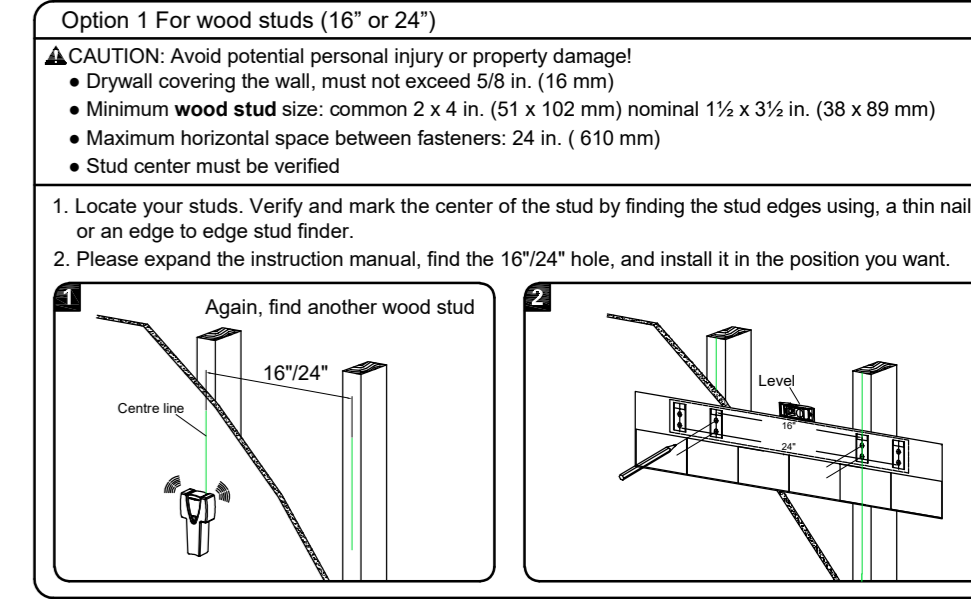


4



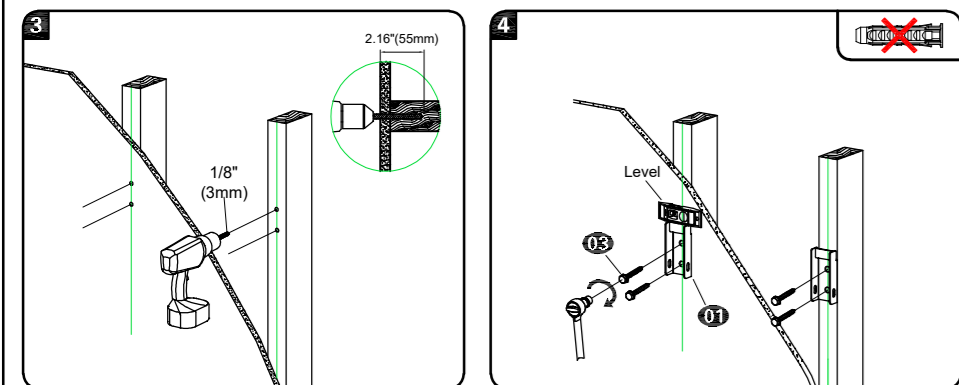
5

STEP 1 Wall plate installation



6

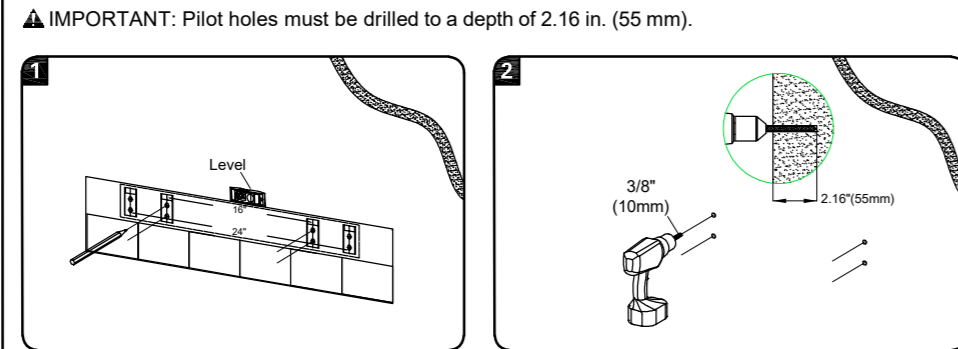
3. Drill pilot holes using a 1/8 in. (3 mm) diameter drill bit.
▲ IMPORTANT: Pilot holes must be drilled to a depth of 2.16 in. (55 mm). Be sure to drill into the center of the studs.
4. Fix wall plate(01) to the wall with lag bolts(03).
NEVER USE ANCHOR FOR WOOD STUDS ASSEMBLY
▲ CAUTION: Improper use could reduce the holding power of the lag bolt.
DO NOT over-tighten the lag bolts.
- Before putting soundbar, please try to pull the wall plate to make sure that it has been assembled on the wall tightly.



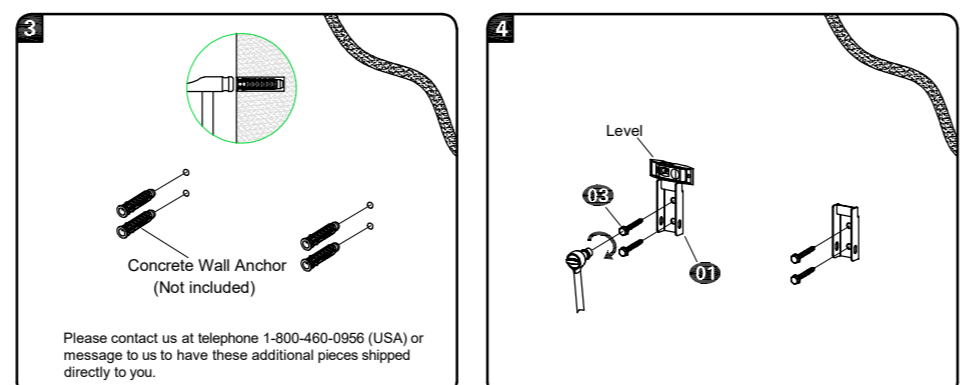
Option 2 For solid concrete wall or brick wall

- ▲ CAUTION:** Avoid potential personal injury or property damage!
- Mount the wall plate assembly directly onto the concrete surface
 - Minimum **solid concrete** thickness: 8 in. (203 mm)

1. Please expand the instruction manual, find the 16"/24" hole, and install it in the position you want.
 Or you measure the hole distance of you soundbar and drill holes on the wall per your soundbar installation holes if you are planning to secure your soundbar by bolts.
2. Drill 4 pilot holes using a 3/8 in. (10 mm) diameter masonry drill bit.

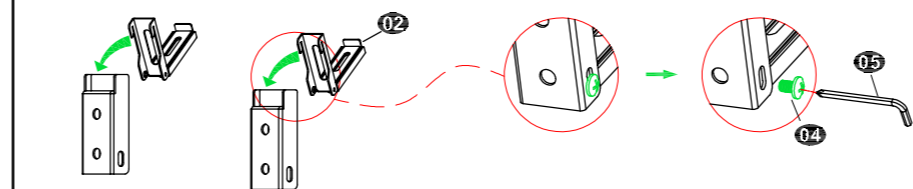


3. Insert 4 anchors.
▲ CAUTION: Be sure the anchors are seated flush with the concrete surface.
4. Install wall plate(01) using 4 lag bolts(03). Tighten the lag bolts only until they are pulled firmly against the wall plate.
▲ CAUTION: Improper use could reduce the holding power of the lag bolt.
DO NOT over-tighten the lag bolts.
- Before putting soundbar, please try to pull the wall plate to make sure that it has been assembled on the wall tightly.

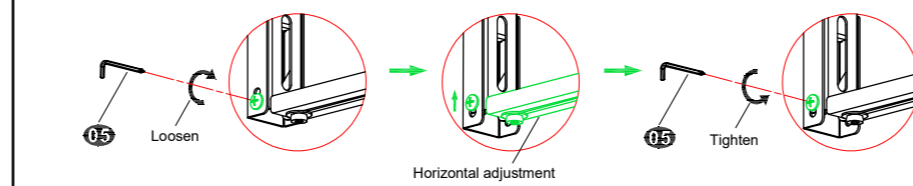


STEP 2 Hang the Hooks onto wall plate

Hang the hooks (02) and tighten the bolts (04).
 (If soundbar have screw holes, go to the steps on page 12.)

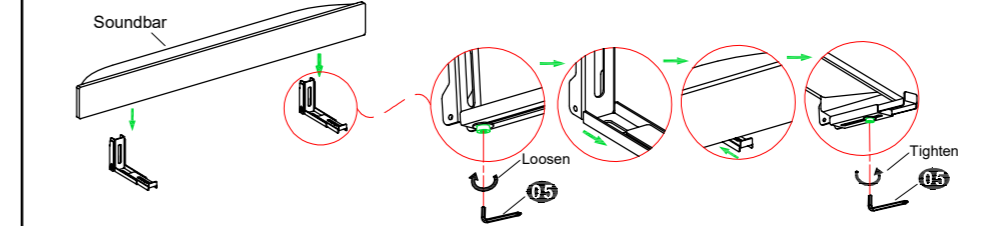


The side screws are used to adjust levelling after installation of soundbar if needed.

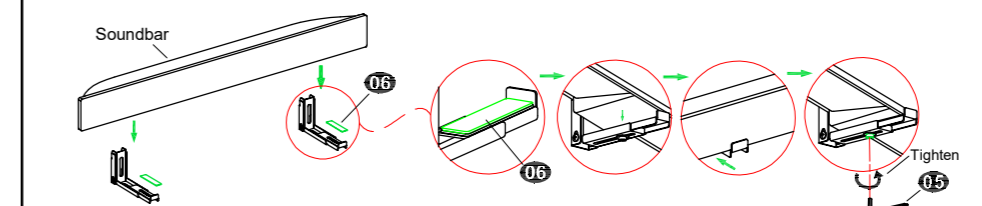


STEP 3 Put the Soundbar onto hooks (Option 1)

If the width of your soundbar is within 3.5" ~6.1", you can just simply put your soundbar on the hooks. You can adjust the hook width by bolts as below drawing shown.



If you have concerns on its stable, you can use sticky anti-slip strips(06) we included in package.



STEP 3 Put the Soundbar onto hooks (Option 2)

If your soundbar has installation holes or key holes which can match the distance between hooks, please follow this step.

