

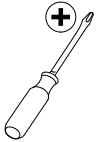


XAS005 INSTRUCTION MANUAL

If you have any questions along the way, just give us a call
1-800-460-0956 or message to us. We're ready to help!

⚠ CAUTION: PLEASE READ ENTIRE MANUAL PRIOR TO USE AND SAVE THESE INSTRUCTIONS

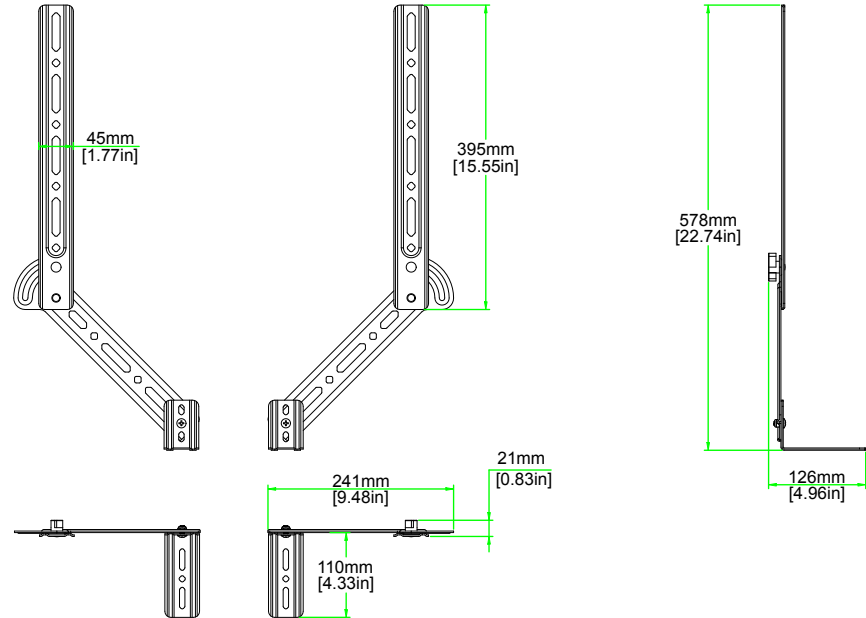
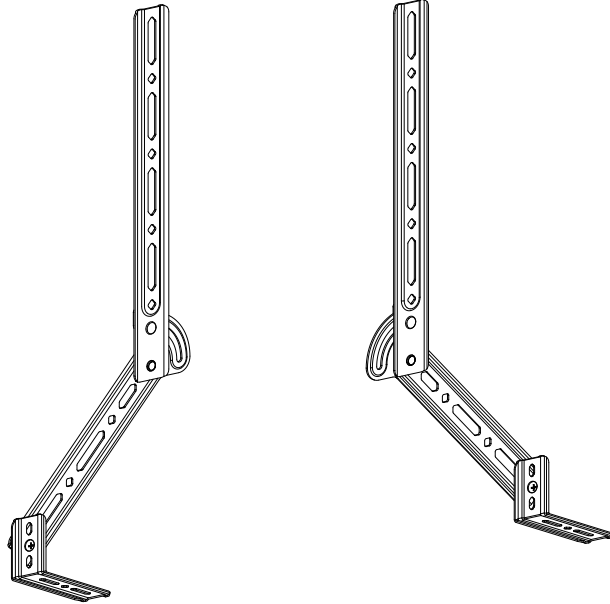
Before getting started, let's check below lists to make sure it is just right for you!

<p>1 Does your soundbar (including accessories) weigh MORE than 22 lbs. (10 kg)?</p>	 <p>No? Perfect – you may continue. Yes? This mount is NOT compatible.</p>	<p>⚠ CAUTION: DO NOT exceed the maximum weight indicated. This mounting system is intended for use only with the maximum weights indicated. Use with products heavier than the maximum weights indicated may result in collapse of the mount and its accessories, causing possible injury.</p>
<p>2 Do you have all the tools needed? (NOT INCLUDE)</p>	 <p>Tape Measure</p>  <p>Screw driver</p>	<p>Please read this instruction carefully before installation. If you do not understand these instructions or have doubts about the safety of the installation, assembly or use of this product, please feel free to contact Customer Service:</p> <div data-bbox="922 943 1588 1038" style="border: 1px solid black; padding: 5px;"> <p>Mail to us via Amazon. Phone call: 1-800-460-0956</p> </div>
<p>CAUTION 3</p>	<ul style="list-style-type: none"> • Do not use this product for any purpose not explicitly specified by manufacturer • Manufacturer is not responsible for damage or injury caused by incorrect assembly or use 	

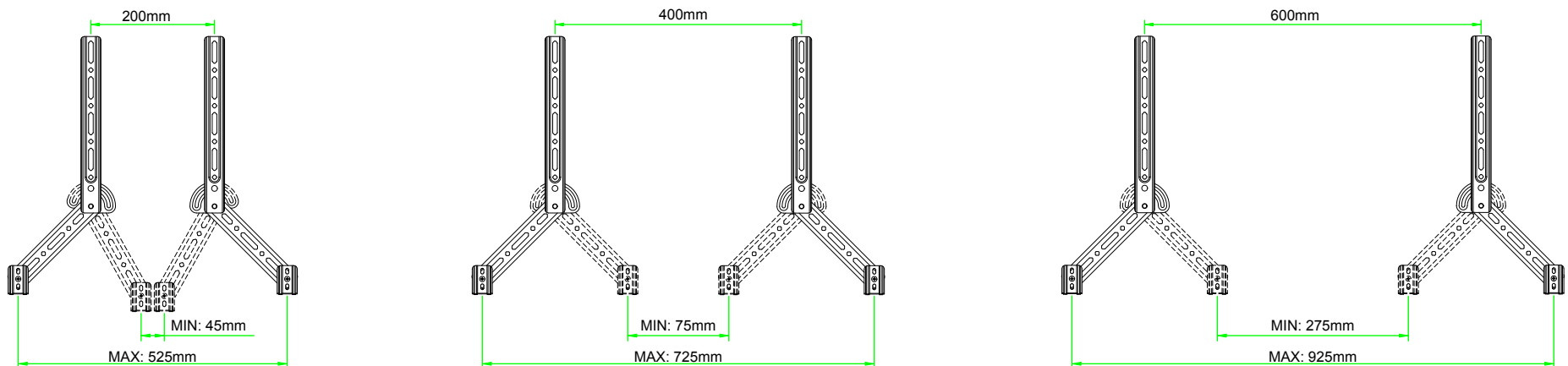
Dimensions

3-D

Product dimensions



FRONT VIEW



Parts and Hardware

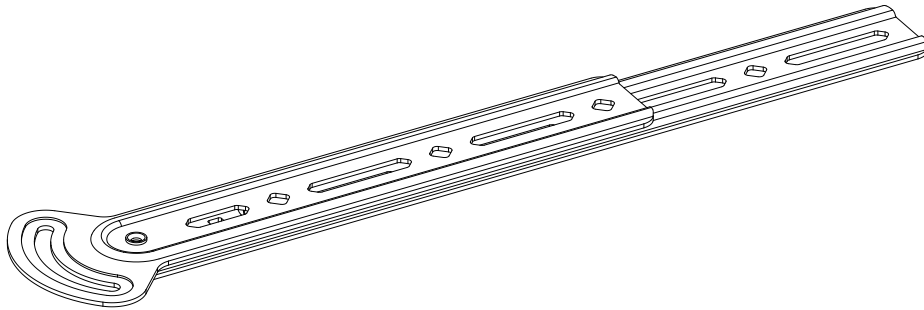
⚠ WARNING: This product contains small items that could be a choking hazard if swallowed. Before starting assembly, verify all parts are included and undamaged. If any parts are missing or damaged, do not return the damaged item to your dealer; contact Customer Service.

Never use damaged parts!

📄 NOTE: Not all hardware included will be used.

Parts and Hardware for Brackets Installation

Bracket



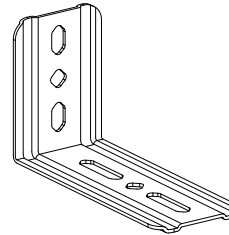
01x2

Allen Key



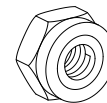
07x1

L Shape Hook



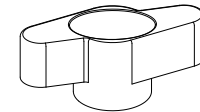
02x2

Antiskid Nut



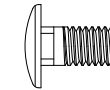
06x2

Handle



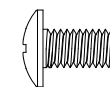
03x2

M6x12mm
Carriage Bolt



04x2

M6x12mm Bolt

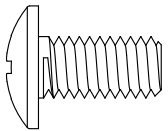


05x2

Hardware for Soundbar Installation

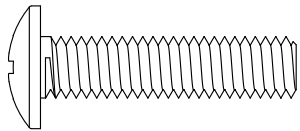
TV Screws

M6x16mm



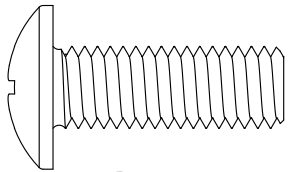
a x4

M6x25mm



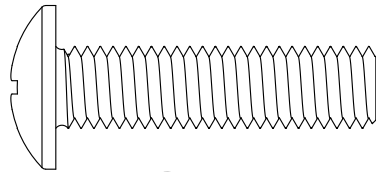
b x4

M8x25mm



c x4

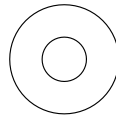
M8x45mm



d x4

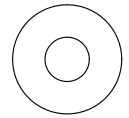
Washers

M6



e x4

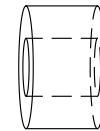
M6



l x2

Spacers

8x10mm



f x4

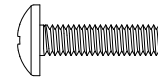
2.5mm



g x4

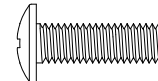
Hardware for soundbar

M4x16mm



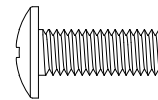
h x2

M5x16mm



i x2

M6x16mm



j x2

Key Hole Bolt



k x2

M6 Butterfly Nut

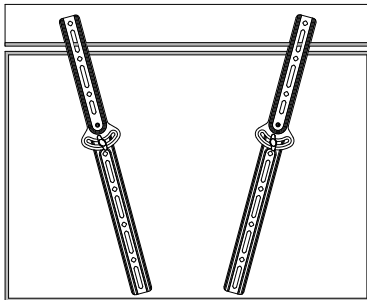


m x2

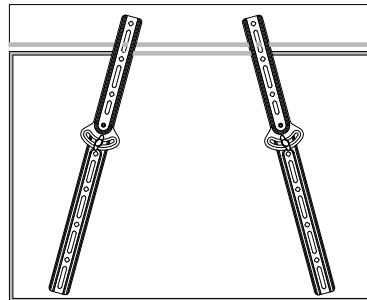
A few different assembly options (Just for reference)

For easy installation, before you start, please review this page carefully. Base on different mounting holes on soundbar, there are a few different mounting styles for you to choose. Check which style fit you?

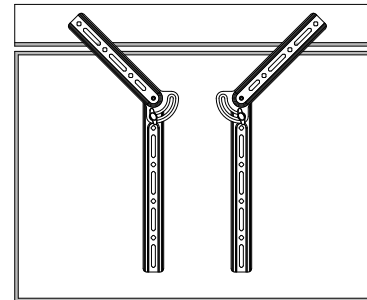
Option 1



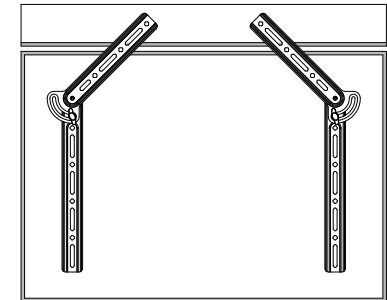
Option 2



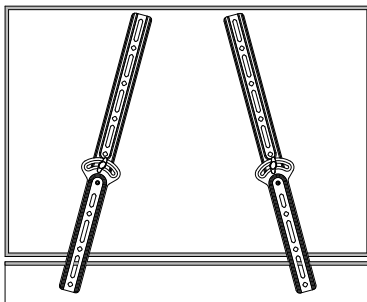
Option 3



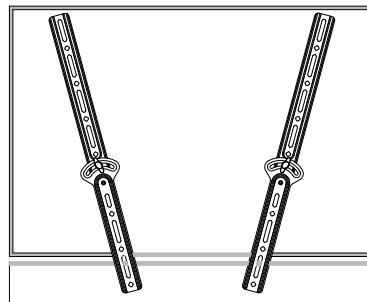
Option 4



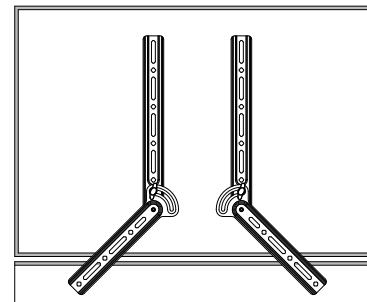
Option 5



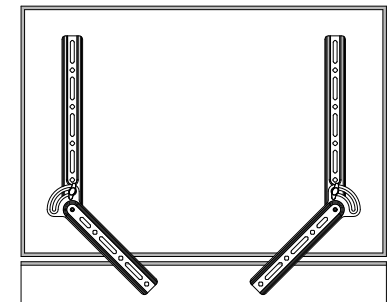
Option 6



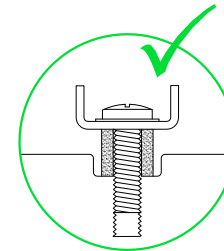
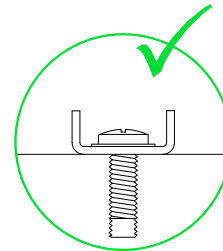
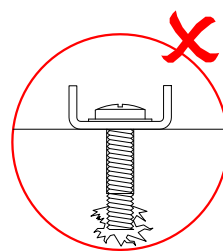
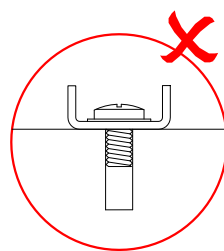
Option 7



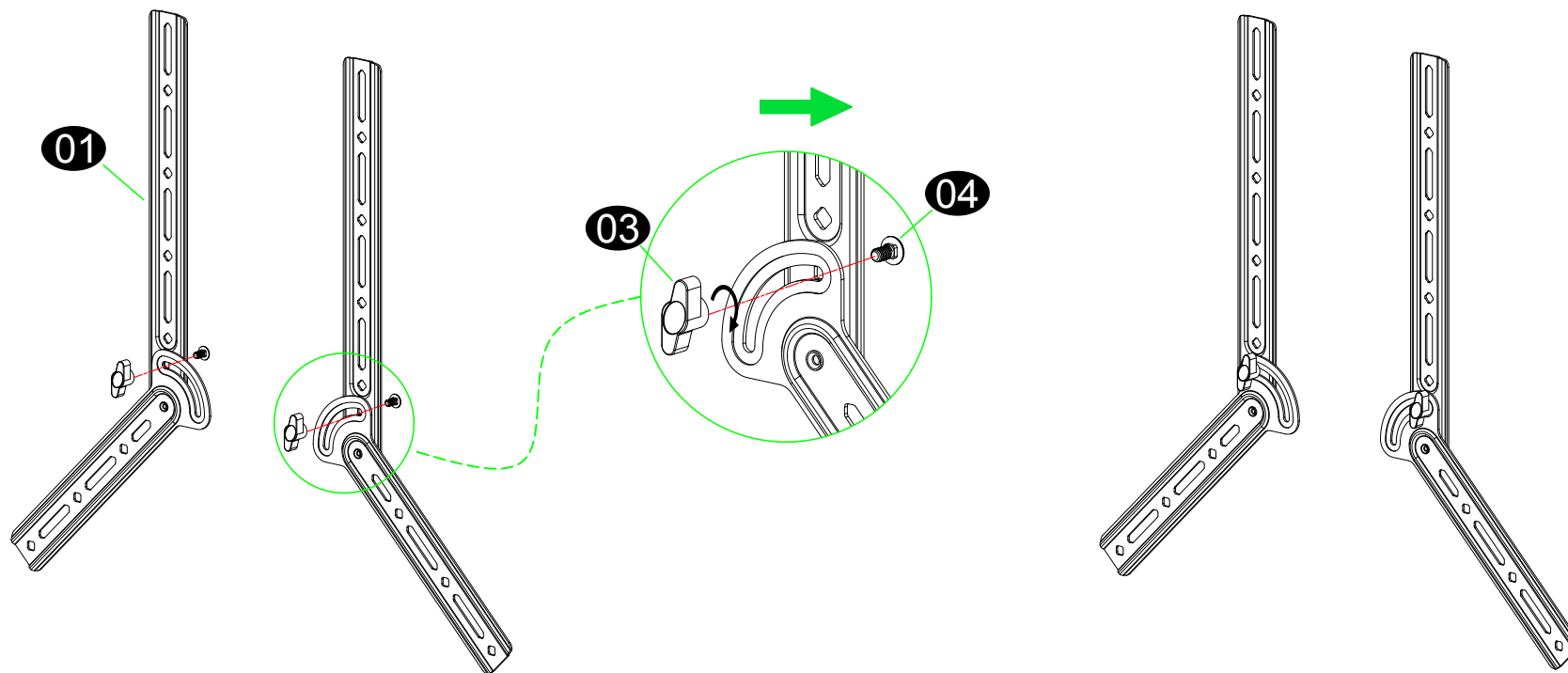
Option 8



Select Correct Screw/Washer/Spacer for Your Installation

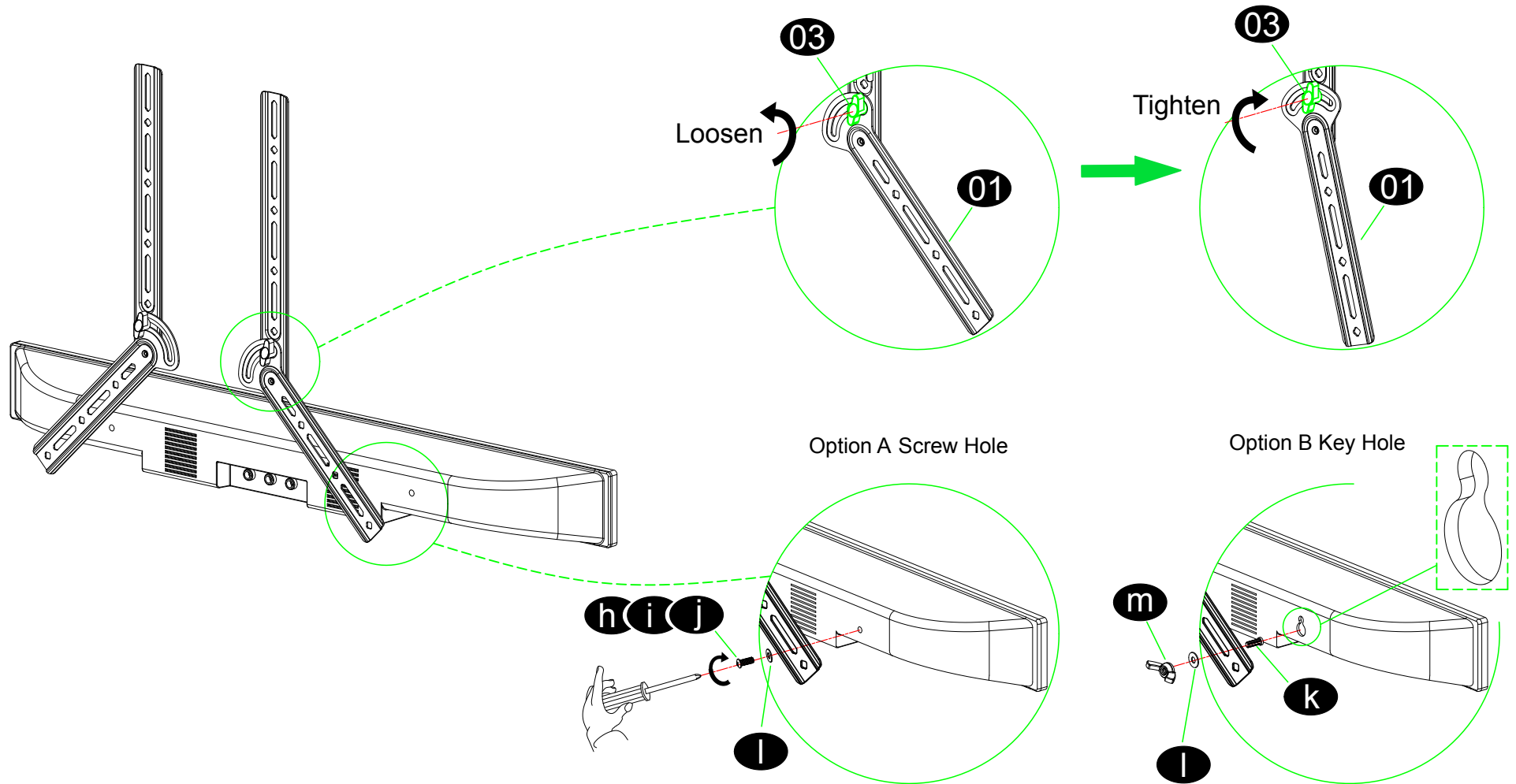


STEP 1 Pre-assemble Soundbar Brackets



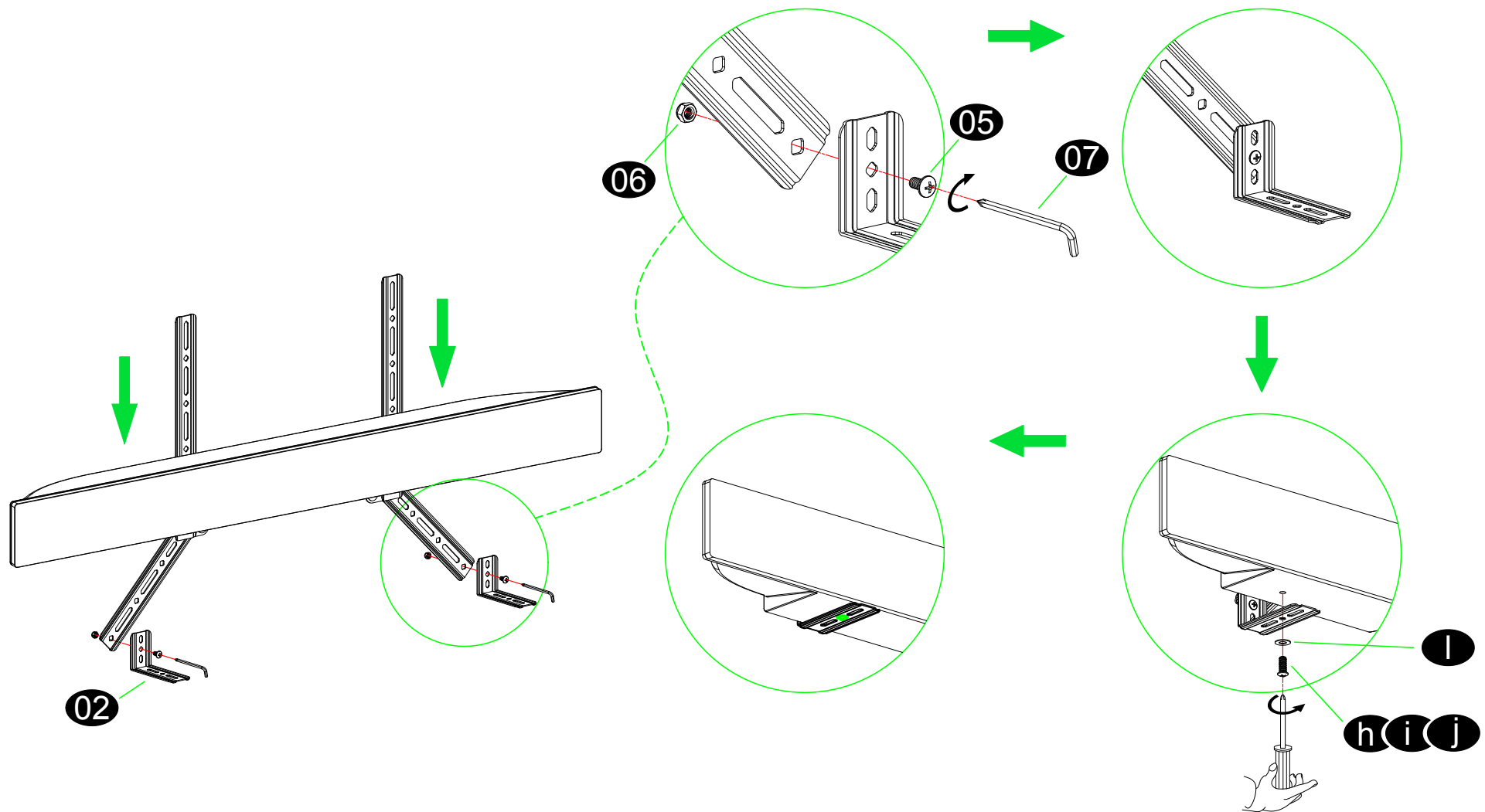
STEP 2-1 Attach Soundbar for back mounting holes

Attach the soundbar to the bracket **01** (you can swing the short arm to fit your soundbar mounting holes by loosen/tighten the handle **03**), and fully fasten bolts **h i j k** & butterfly nut **m** and washers **l** of soundbar as shown below.



STEP 2-2 Attach Soundbar for bottom mounting holes

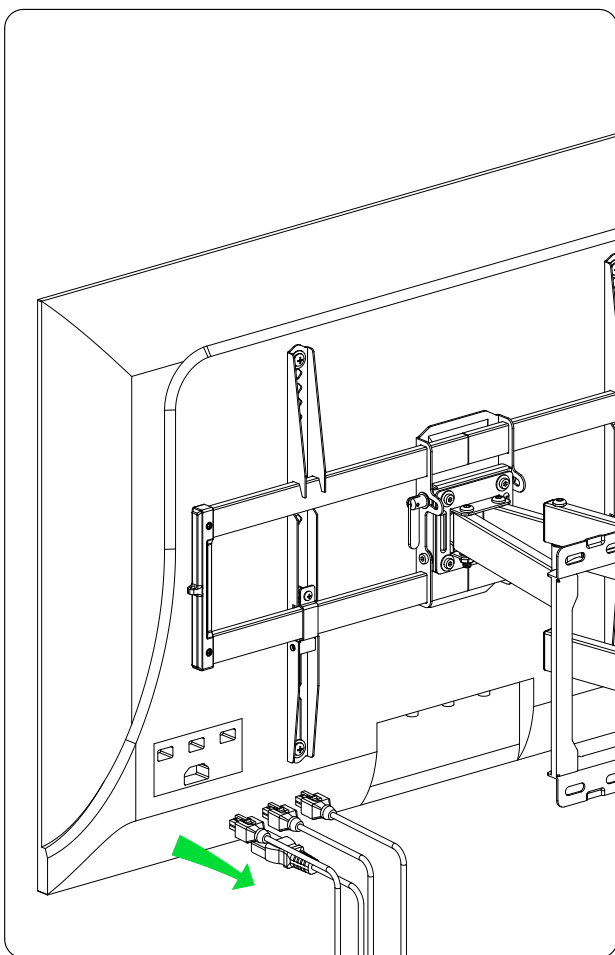
Fix the L Shape Hook **02** on the bracket **01**, and place the sound bar on the L Shape Hook **02**, and completely fix the soundbar with bolts **h** **i** **j** and washers **l**.
Tips: The position of L Shape Hook depends on the bottom hole of soundbar.



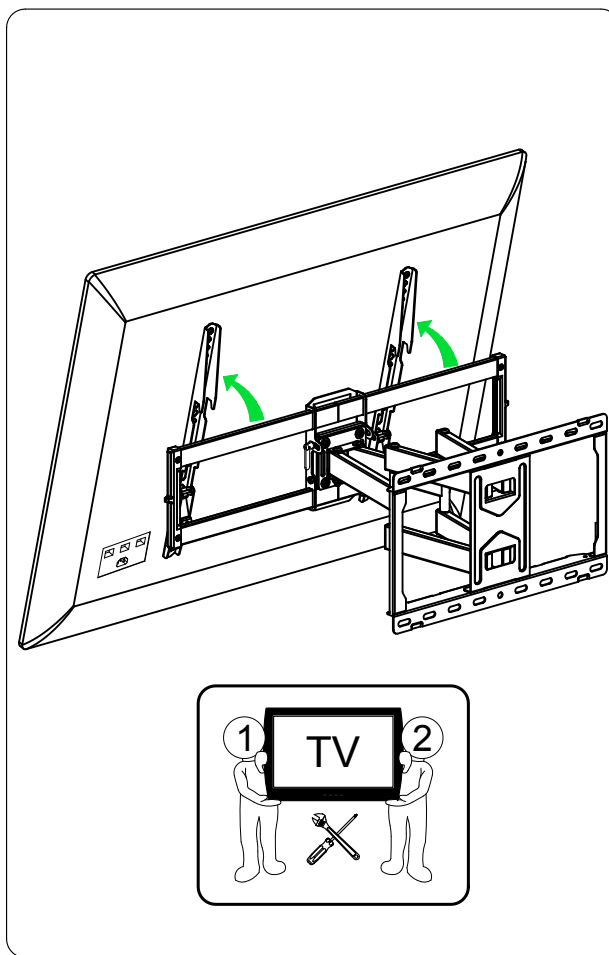
STEP 3 Assemble soundbar bracket with your TV mount together

3-1: Disassemble your TV from the mount. (If you just assemble soundbar alone onto your TV back directly, please jump to step 4.)

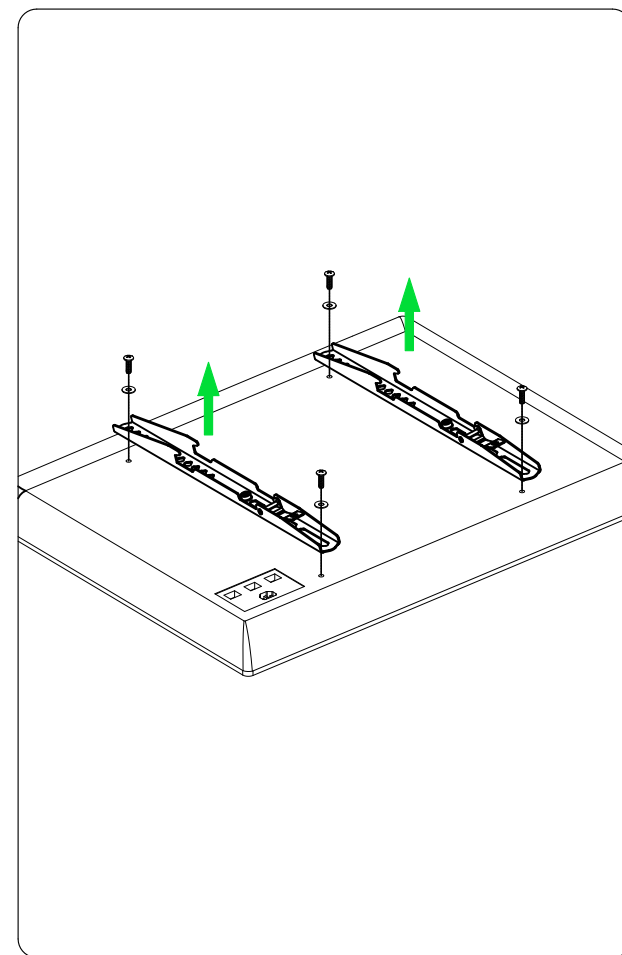
I Remove all cables



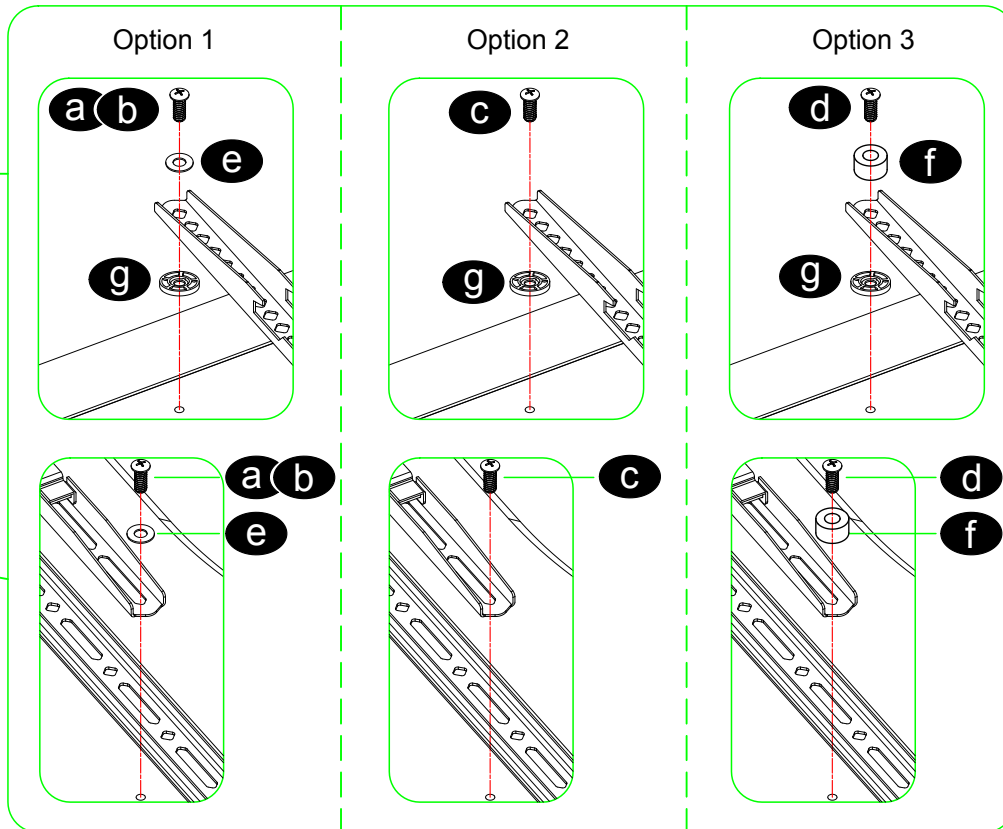
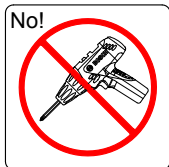
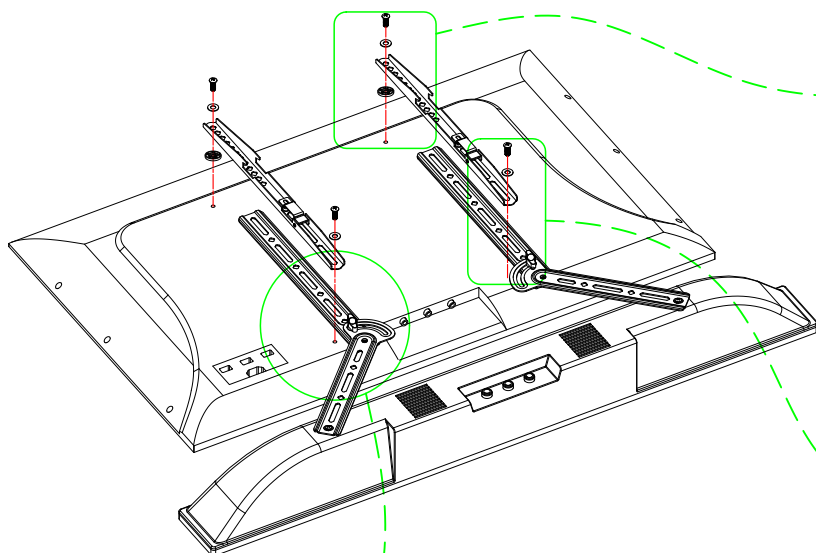
II Take off the TV from the mount



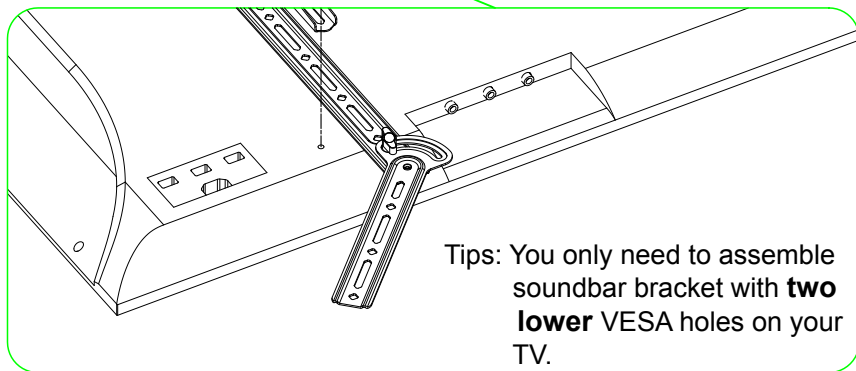
III Remove the TV brackets from your TV



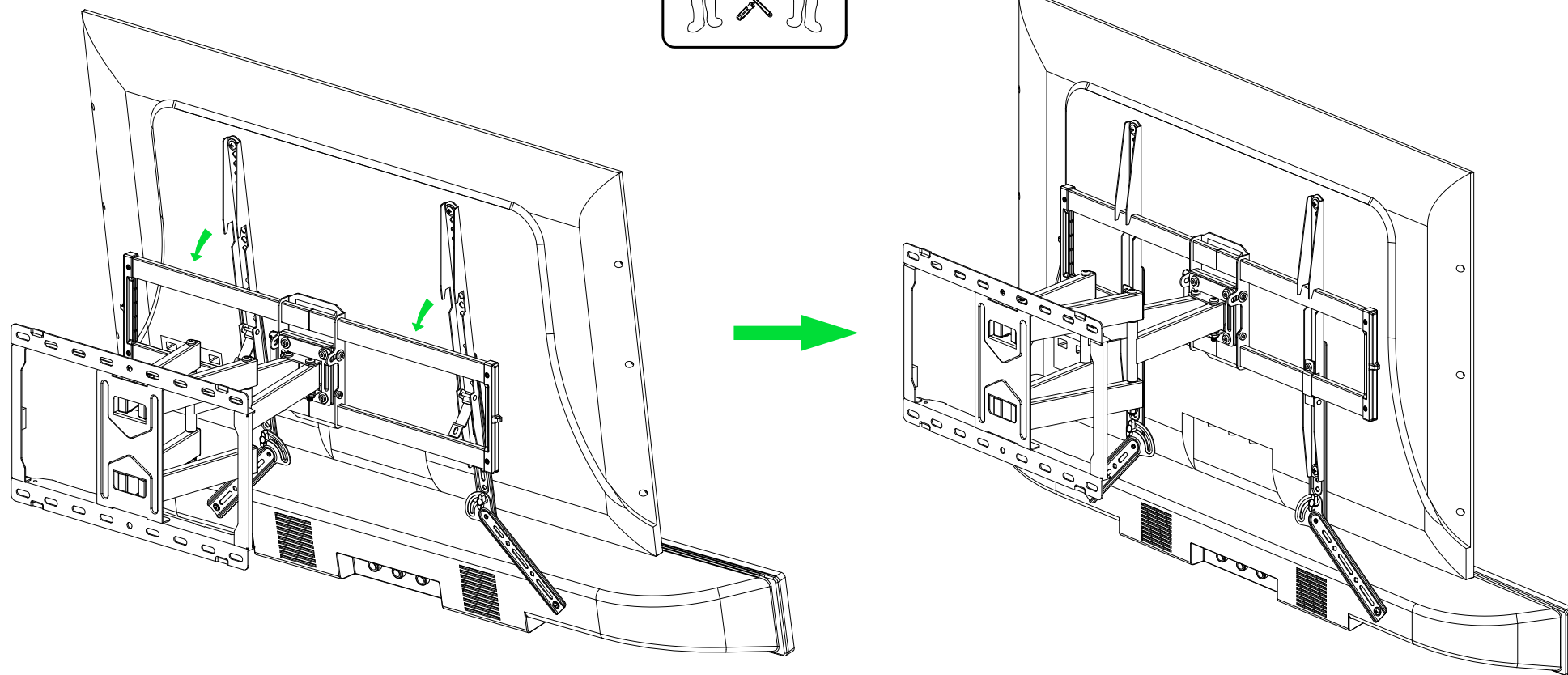
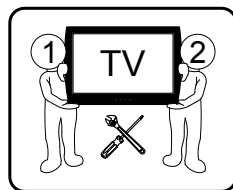
3-2: Attach the Assembled Soundbar Brackets Unit to Your TV.



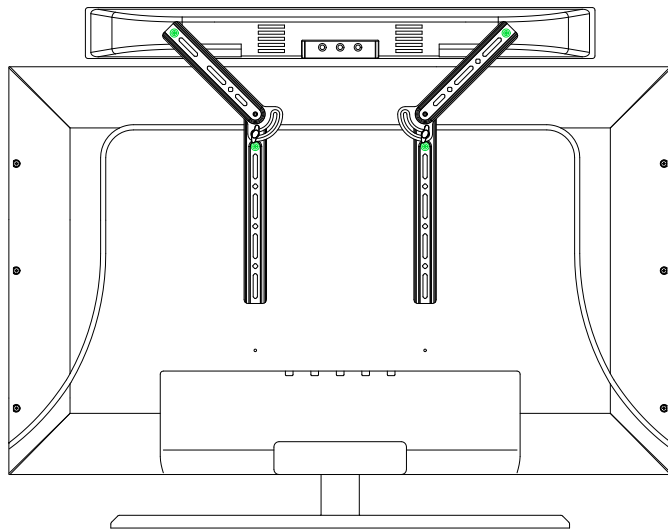
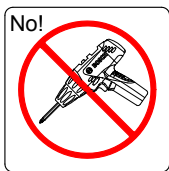
Tips: No need to use washer (e) when using M8 screw (c/d).



3-3: Attach the Assembled Soundbar Brackets Unit to Your TV.

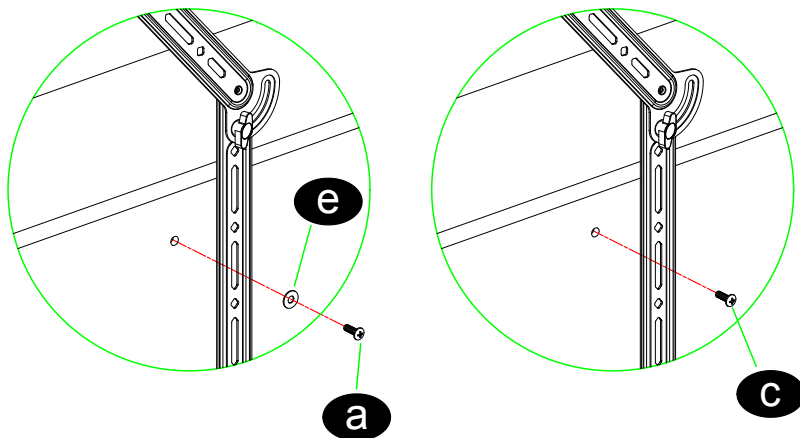


STEP 4 Attach Soundbar Brackets alone to TV back Directly



Screw/Washer/Spacer Combination Options

I For TV with flat back



II For TV with insert hole

