


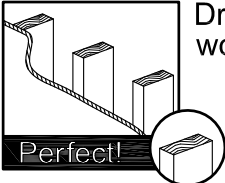
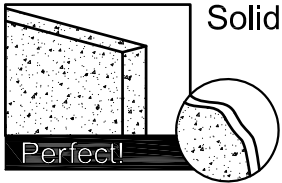
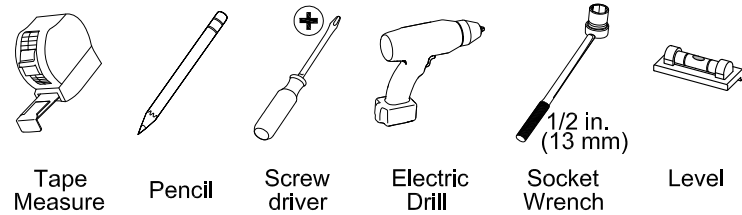
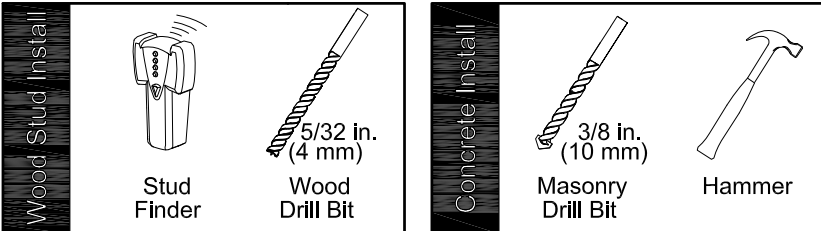
# XAS002-09 INSTRUCTION MANUAL

If you have any questions along the way, just give us a call  
1-800-460-0956 or mail to [customerservice@x-mount.com](mailto:customerservice@x-mount.com).

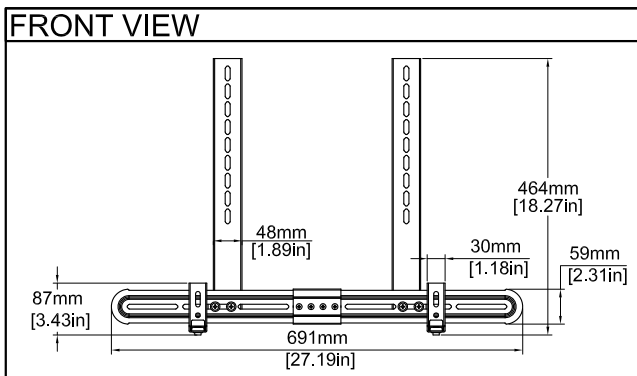
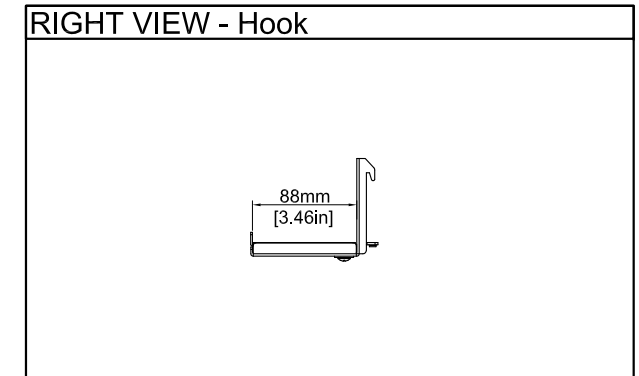
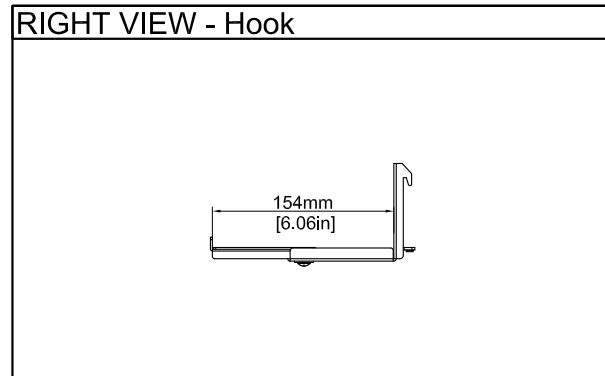
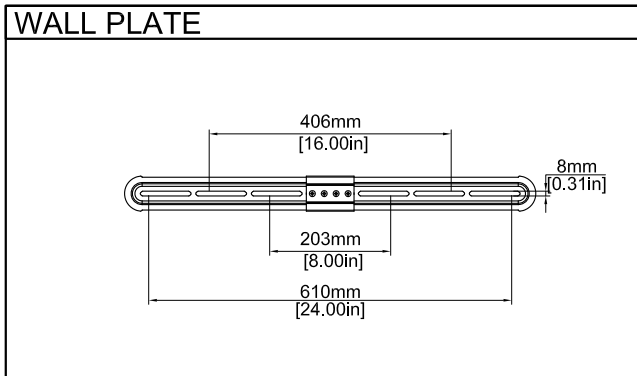
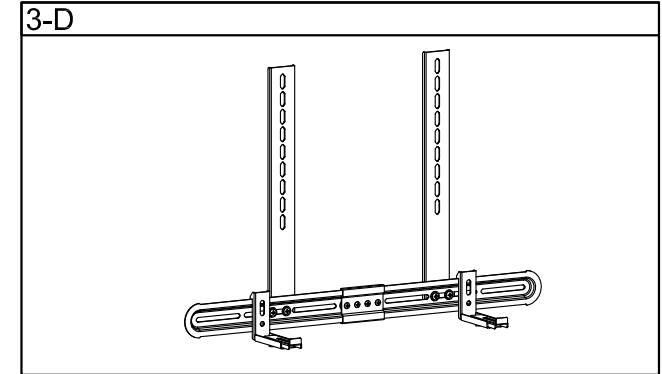
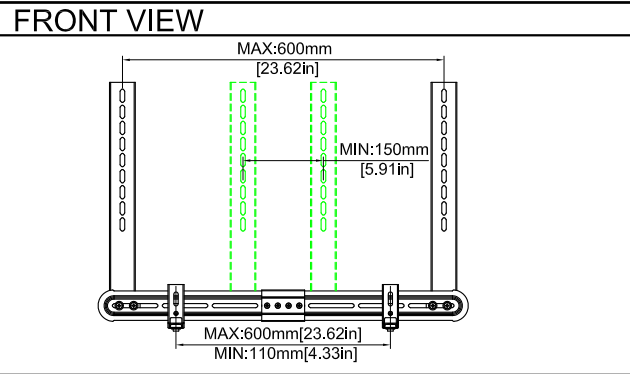
We're ready to help!

**⚠ CAUTION: PLEASE READ ENTIRE MANUAL PRIOR TO USE AND SAVE THESE INSTRUCTIONS.**

Before getting started, let's check below lists to make sure it is just right for you!

|  |  |   |
|--|--|---|
| <p><b>1</b><br/>Does your soundbar (including accessories) weigh MORE than 13 lbs. (6 kg)?</p> |  <p>No? Perfect – you may continue.<br/>Yes? This mount is NOT compatible.</p>  | <p><b>⚠ CAUTION:</b> DO NOT exceed the maximum weight indicated. This mounting system is intended for use only with the maximum weights indicated. Use with products heavier than the maximum weights indicated may result in collapse of the mount and its accessories, causing possible injury.</p> |
| <p><b>2</b><br/>If you want to mount on the wall, you should know what your wall made of.</p>  | <p>Drywall with wood studs?</p>  <p><b>CAUTION:</b><br/>DO NOT install into drywall alone</p>   | <p>Solid concrete</p>  <p><b>?</b> Unsure?<br/>Call Customer Service:<br/>1-800-460-0956</p>   |
| <p><b>3</b><br/>Do you have all the tools needed? (NOT INCLUDE)</p>                            |  <p>Tape Measure   Pencil   Screw driver   Electric Drill   Socket Wrench (1/2 in. / 13 mm)   Level</p>  |  <p>Wood Stud Install   Stud Finder   Wood Drill Bit (5/32 in. / 4 mm)   Concrete Install   Masonry Drill Bit (3/8 in. / 10 mm)   Hammer</p>   |
| <p><b>CAUTION</b> <b>4</b></p>   | <ul style="list-style-type: none"> <li>• Do not use this product for any purpose not explicitly specified by manufacturer</li> <li>• Manufacturer is not responsible for damage or injury caused by incorrect assembly or use</li> </ul> |   |

# Dimensions



# Parts and Hardware

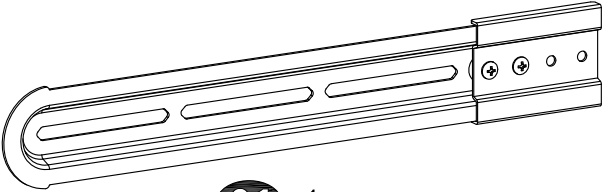
**⚠ WARNING:** This product contains small items that could be a choking hazard if swallowed. Before starting assembly, verify all parts are included and undamaged. If any parts are missing or damaged, do not return the damaged item to your dealer; contact Customer Service.

Never use damaged parts!

**📄 NOTE:** Not all hardware included will be used.

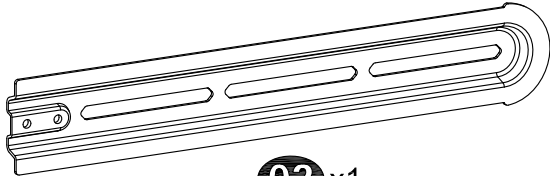
### Parts and Hardware for Brackets Installation

Wall plate (Left)



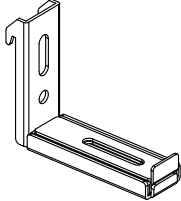
**01** x1

Wall plate (Right)



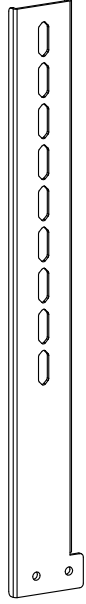
**02** x1

Hook



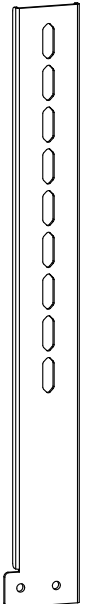
**03** x2

Bracket (Left)



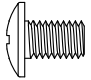
**06** x1

Bracket (Right)




**07** x1

M5x6mm Bolt



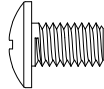
**04** x2

Allen Key



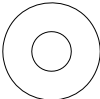
**05** x1

M6x10mm



**08** x4

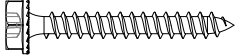
M6 Washers




**09** x4

**Lag bolt and concrete wall anchor (NOT INCLUDED)**

Lag Bolt M7x55mm 2pcs



Concrete Wall Anchor 2pcs

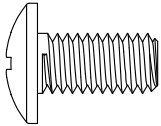


Contact us at telephone 1-800-460-0956 (USA) or email us by [customerservice@x-mount.com](mailto:customerservice@x-mount.com) to have these additional pieces shipped directly to you.

Hardware for Soundbar Installation

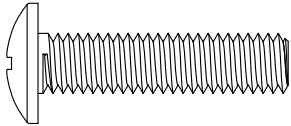
TV Screws

M6x16mm



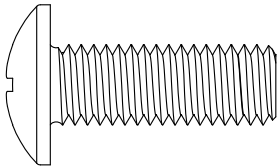
a x4

M6x25mm



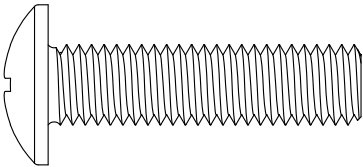
c x4

M8x20mm



b x4

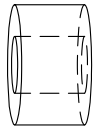
M8x30mm



d x4

Spacers

8x10mm



e x4

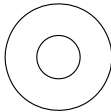
2.5mm



f x2

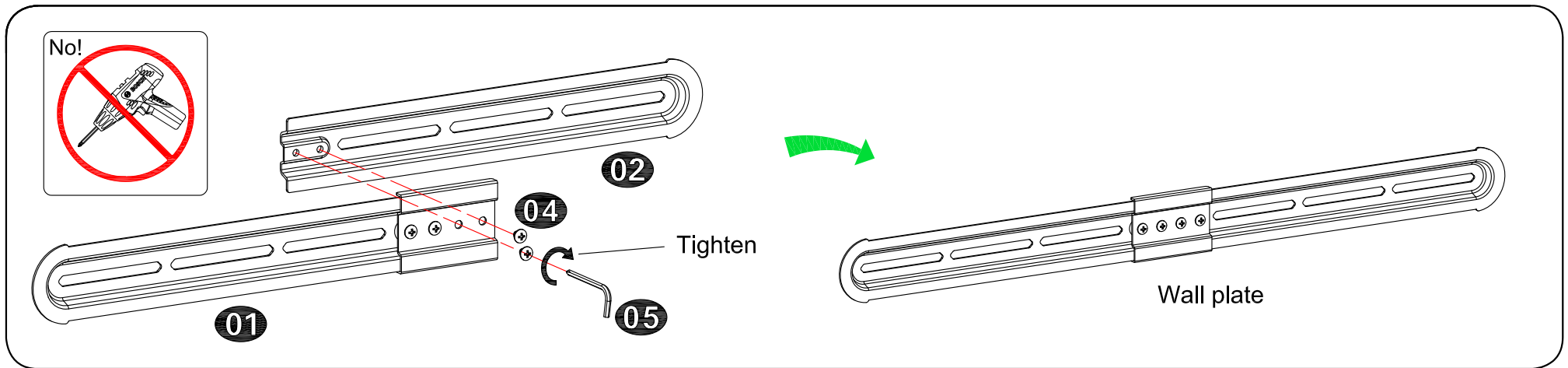
Washers

M6



g x4

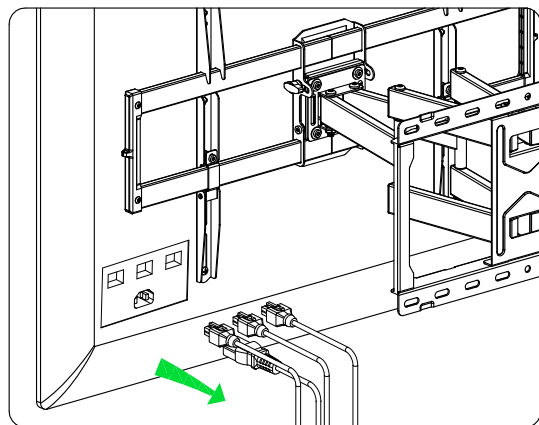
## STEP 1 Assemble Wall plate



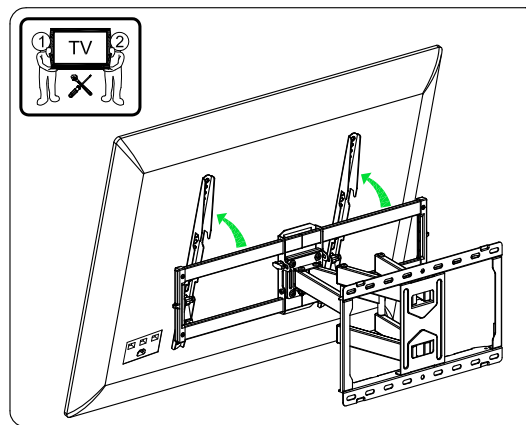
## STEP 2 Option 1 Mount with Wall Mount

### 1 Disassemble Your TV from the Mount

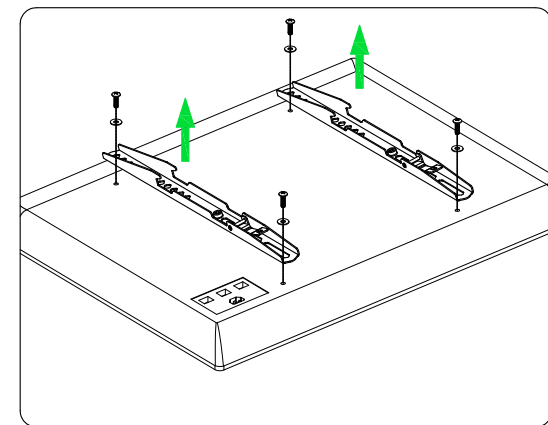
I Remove all cables



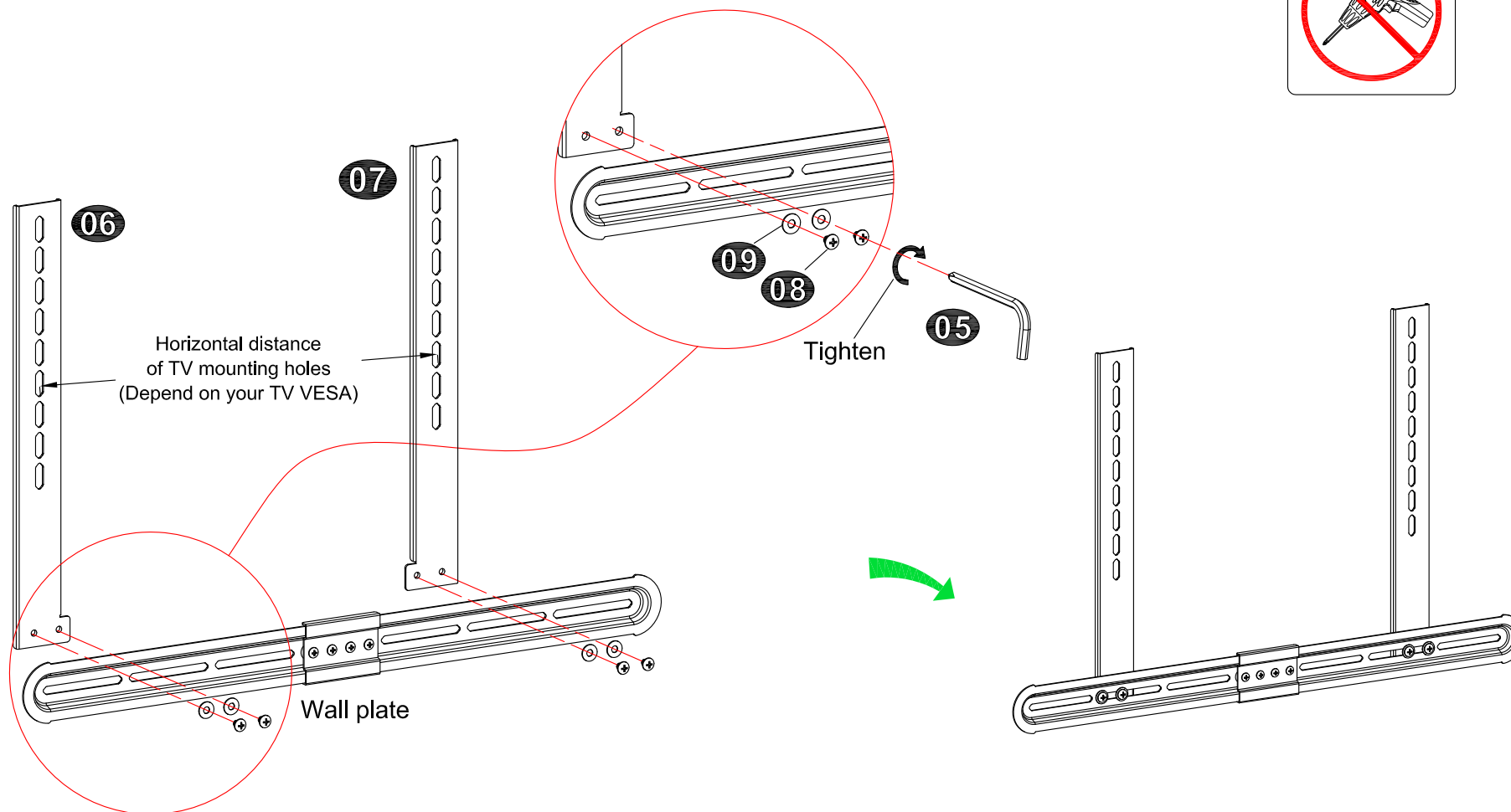
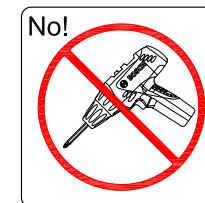
II Take off the TV from the mount



III Remove the TV brackets from your TV

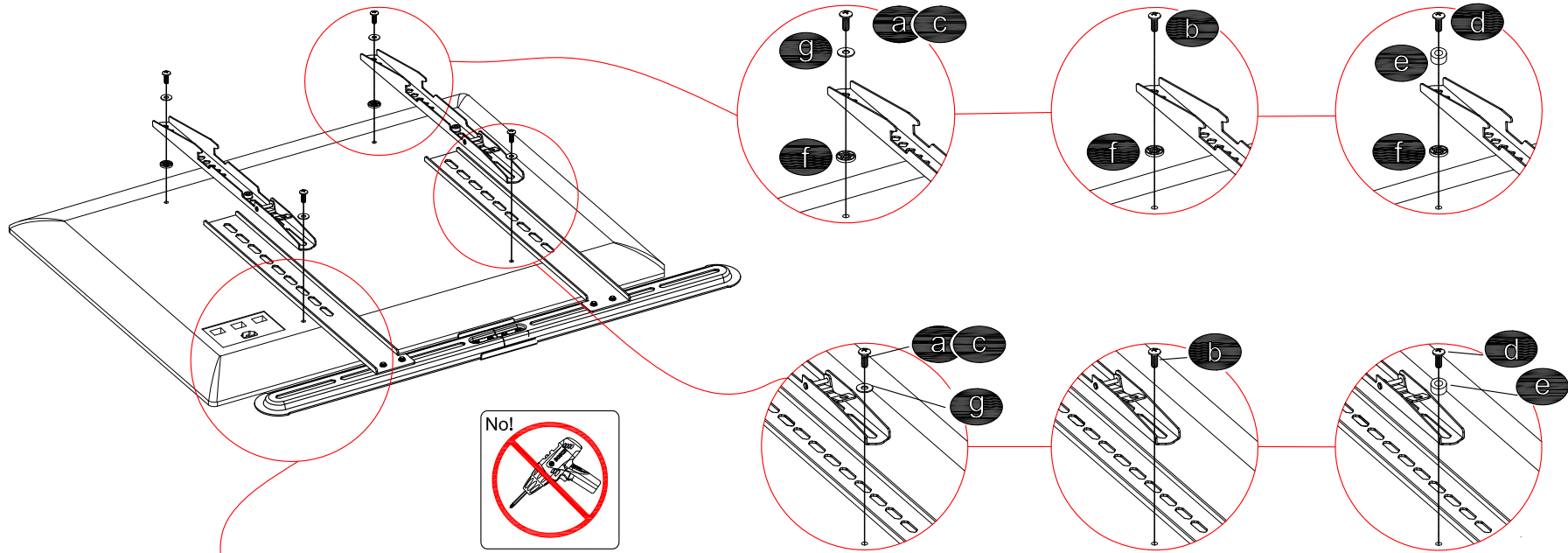


## 2 Attach Brackets to Wall Plate

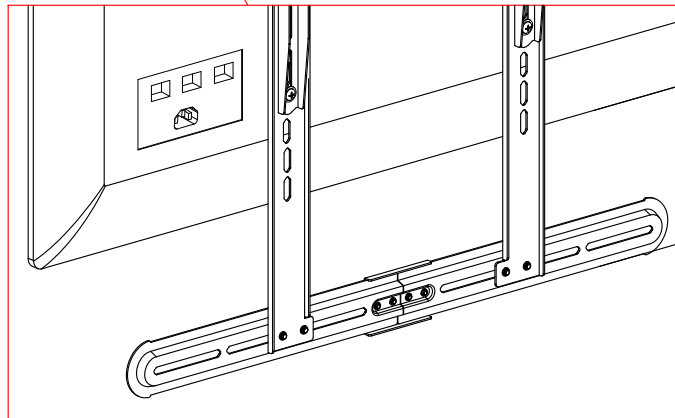


Tips: Check the horizontal distance of the TV before connecting the wall plate unit to the brackets.

### 3 Attach the Assembled Soundbar and Brackets Unit to Your TV



Tips: No need to use washer (g) when using M8 screw (b/d).



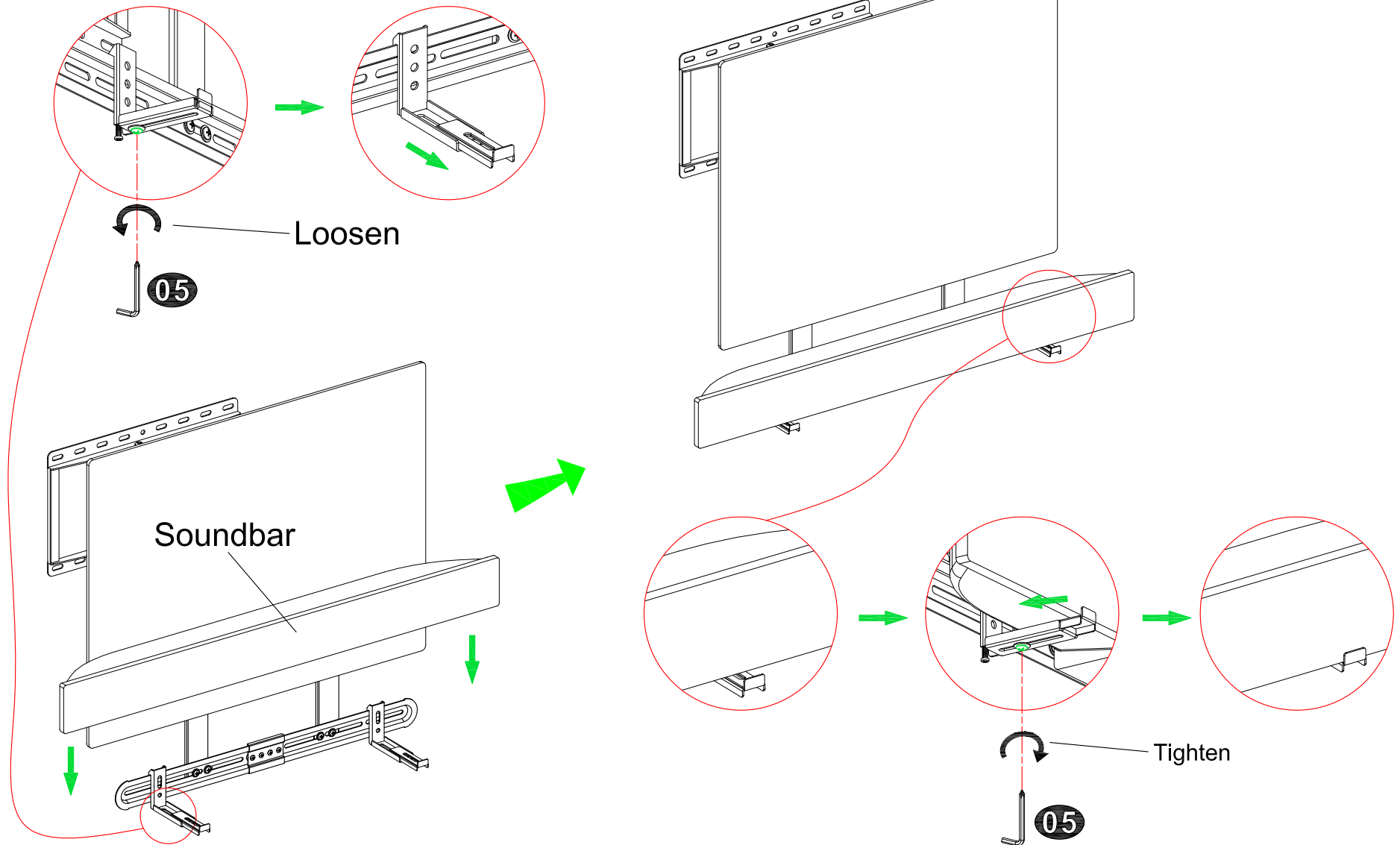
Tips: Before attach the TV, check the vertical distance of TV and wall plate.





## 6 Put on the Soundbar

If the width of your soundbar bottom is more than 88mm ( 3.46 in ), please follow with below step. Otherwise, put soundbar on the hook directly.

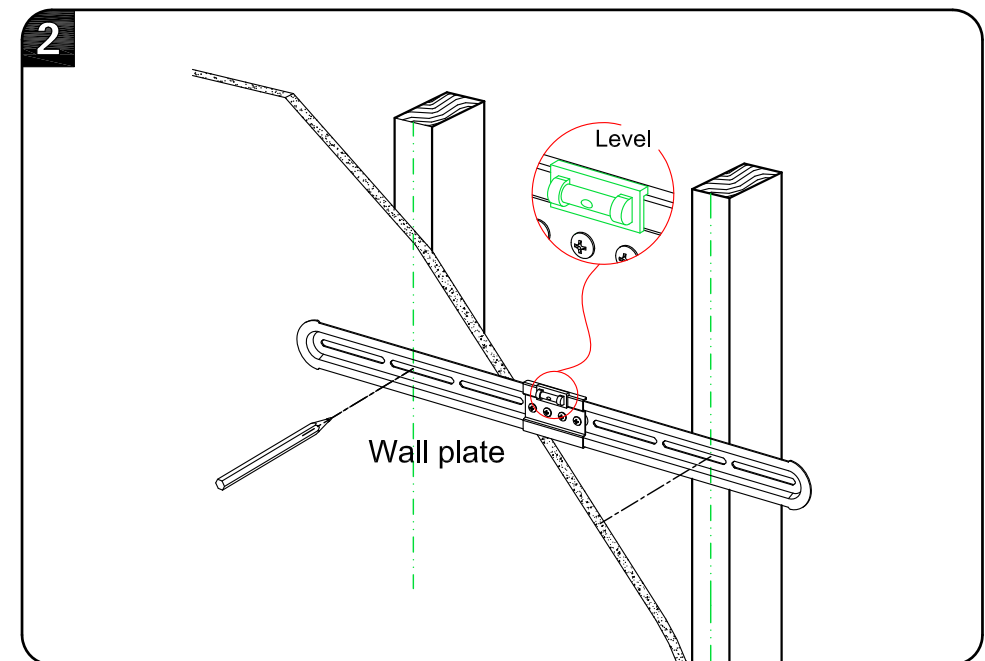
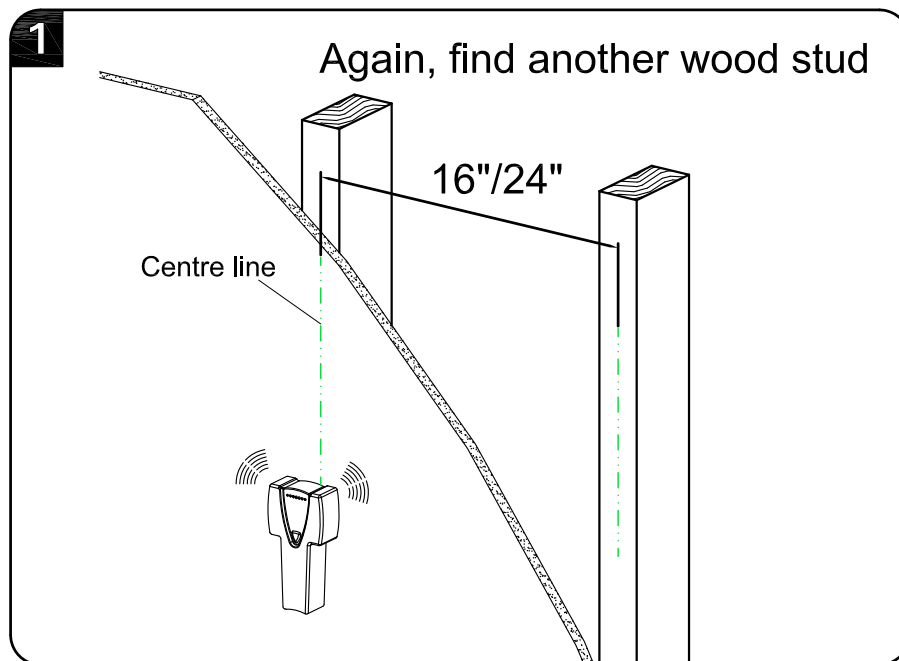


## STEP 2 Option 2 Attach Wall Plate to Wall Wood Stud Option

**⚠ CAUTION:** Avoid potential personal injury or property damage!

- Drywall covering the wall, must not exceed 5/8 in. (16 mm)
- Minimum **wood stud** size: common 2 x 4 in. (51 x 102 mm) nominal 1½ x 3½ in. (38 x 89 mm)
- Maximum horizontal space between fasteners: 24 in. ( 610 mm)
- Stud center must be verified

1. Locate your studs. Verify and mark the center of the stud by finding the stud edges using, a thin nail, or an edge to edge stud finder.
2. Position the wall plate at your desired height and line up the holes with your stud center line. Level the wall plate and mark the hole locations.



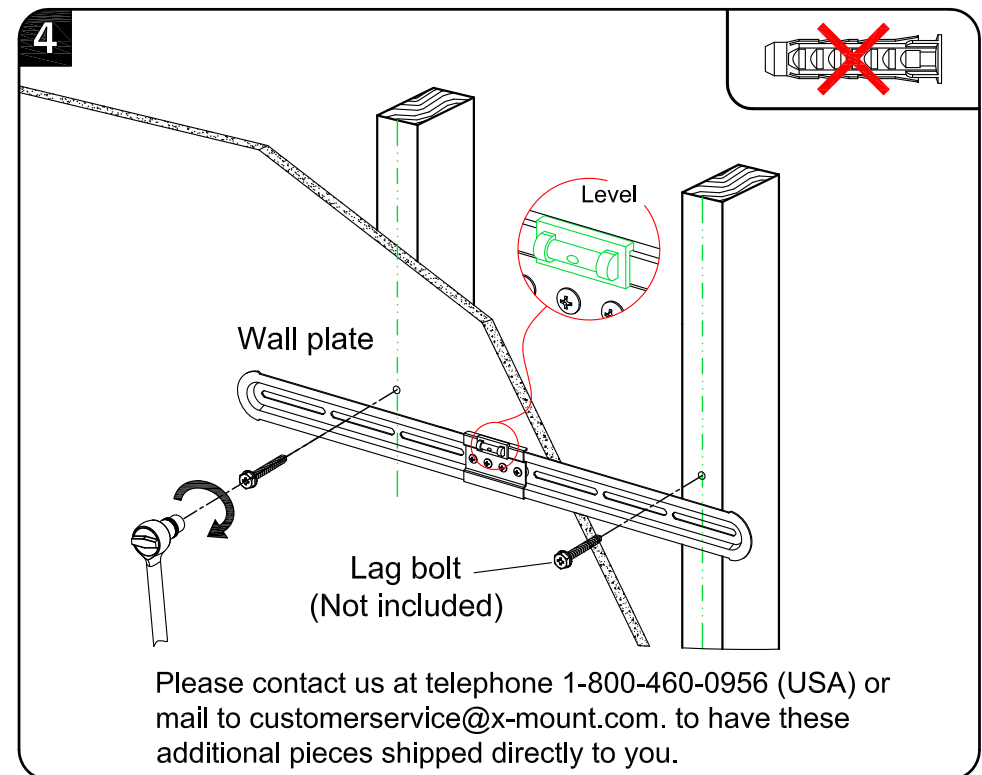
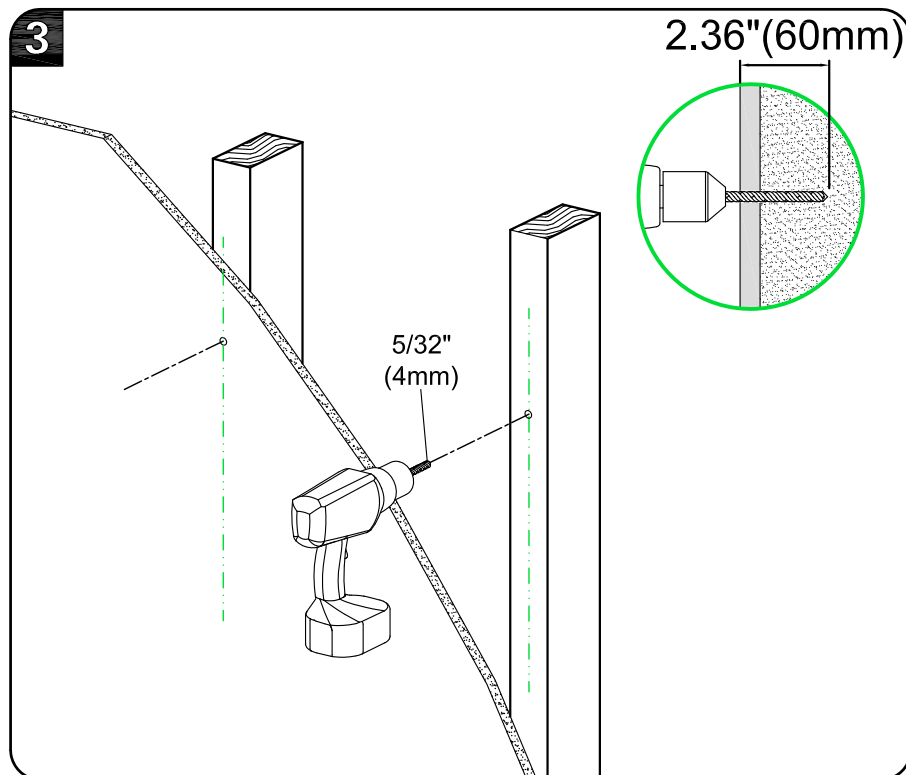
3. Drill pilot holes using a 5/32 in. (4 mm) diameter drill bit.

❗ **IMPORTANT:** Pilot holes must be drilled to a depth of 2.36 in. (60 mm). Be sure to drill into the center of the studs.

4. Install wall plate using two lag bolts. Tighten the lag bolts only until they are pulled firmly against the wall plate.

⚠ **CAUTION:** Improper use could reduce the holding power of the lag bolt.  
**DO NOT over-tighten the lag bolts.**

Go to STEP 3 on PAGE 15.



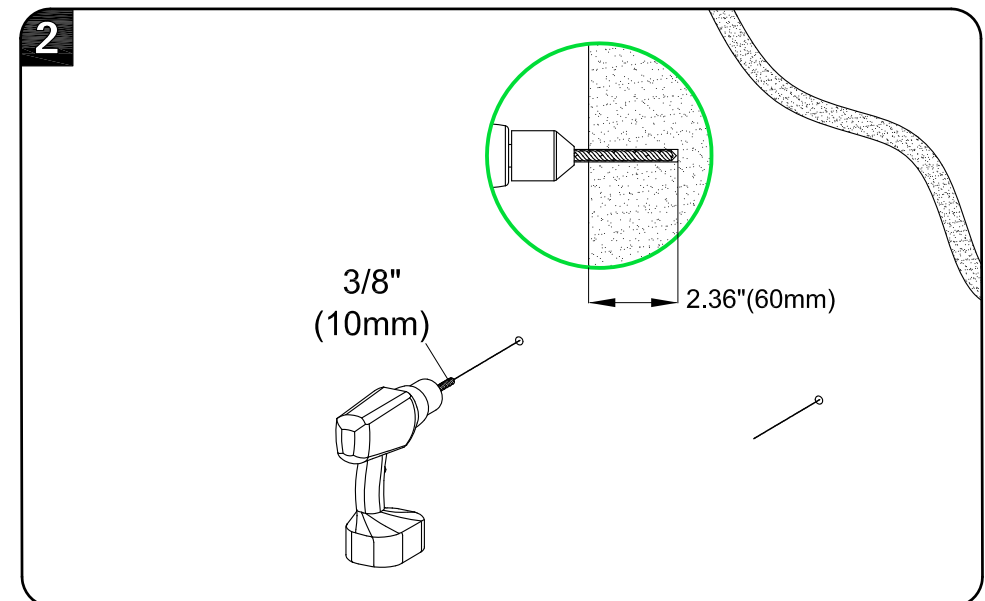
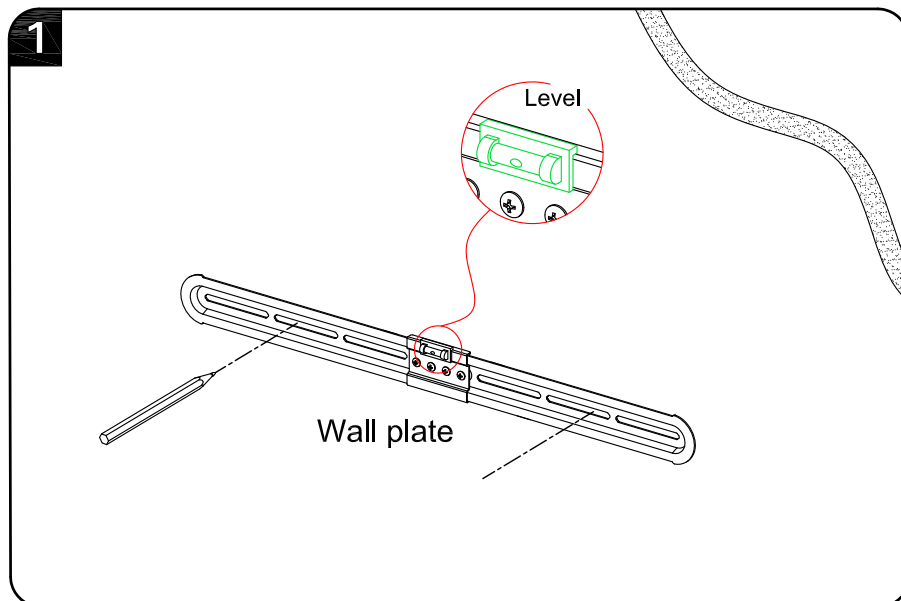
## STEP 2 Option 3 Attach Wall Plate to Solid Concrete Wall

⚠️ **CAUTION:** Avoid potential personal injury or property damage!

- Mount the wall plate assembly directly onto the concrete surface
- Minimum **solid concrete** thickness: 8 in. (203 mm)

1. Position the wall plate on the wall at your desired height. Level the wall plate and mark the hole locations.
2. Drill two pilot holes using a 3/8 in. (10 mm) diameter masonry drill bit.

❗ **IMPORTANT:** Pilot holes must be drilled to a depth of 2.36 in. (60 mm).

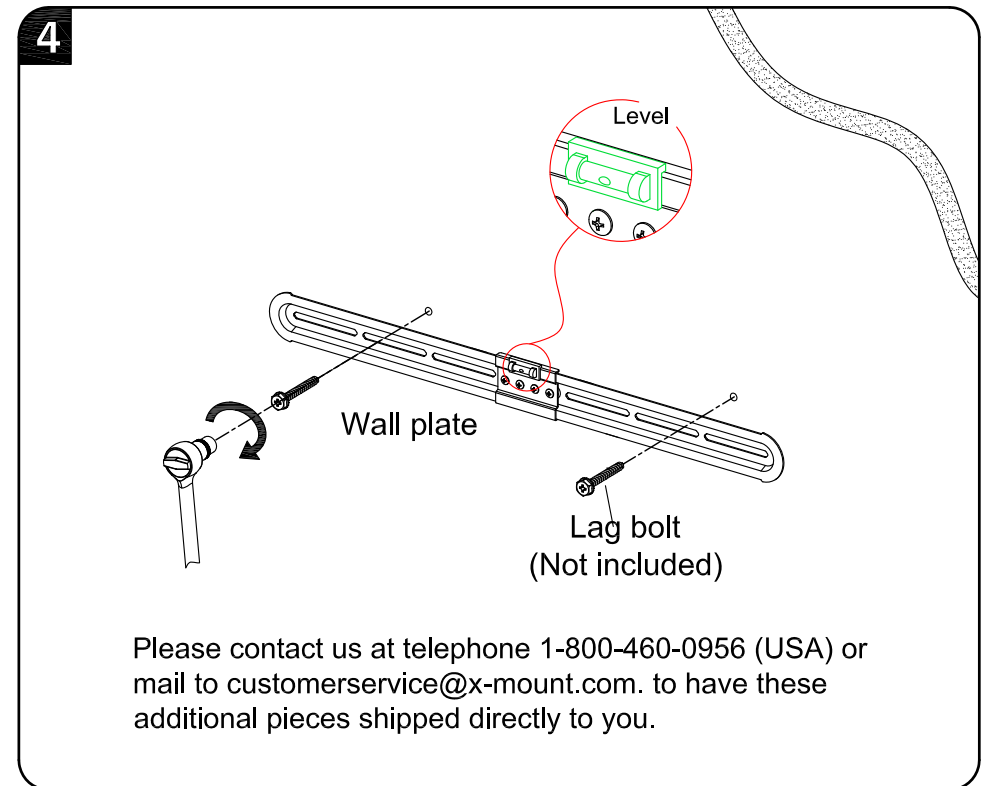
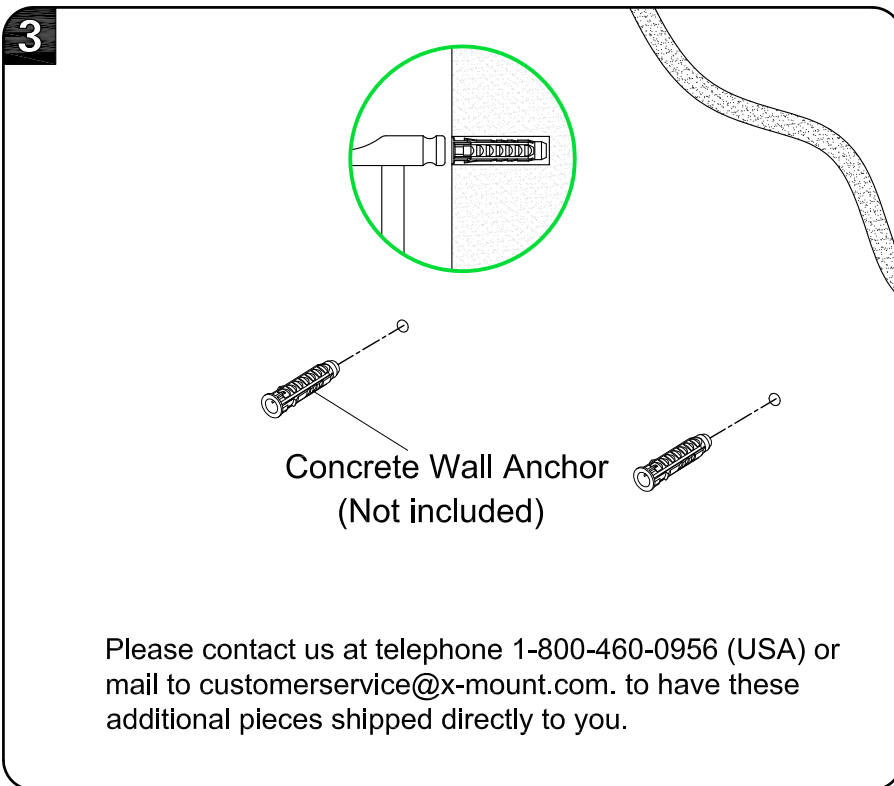


3. Insert two anchors.

▲ CAUTION: Be sure the anchors are seated flush with the concrete surface.

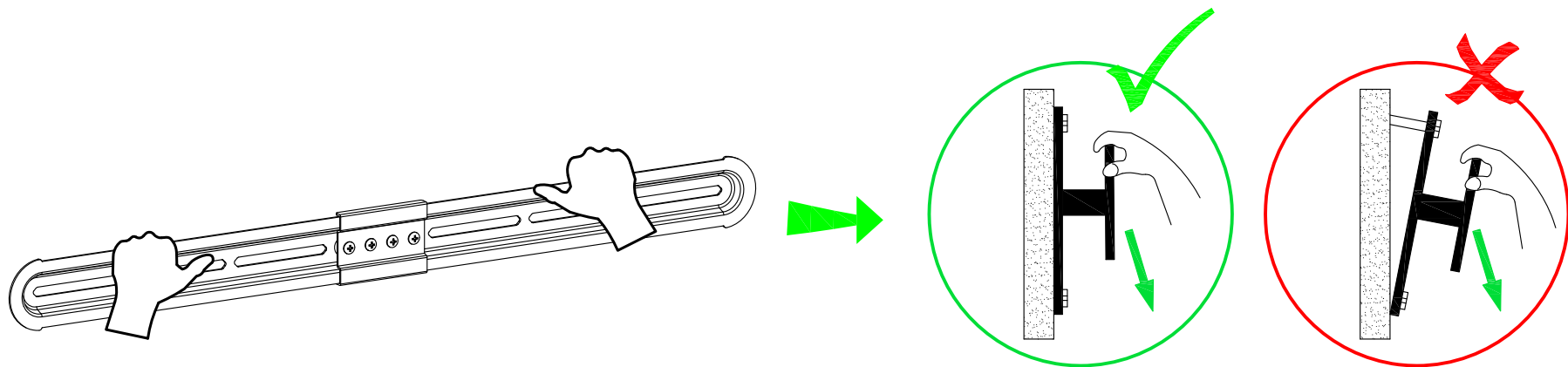
4. Insert wall plate using two lag bolts. Tighten the lag bolts only until they are pulled firmly against the wall plate.

▲ CAUTION: Improper use could reduce the holding power of the lag bolt.  
**DO NOT over-tighten the lag bolts.**



# Wall Plate Installation Integrity Test ( STEP 3 For Option 2 and 3 )

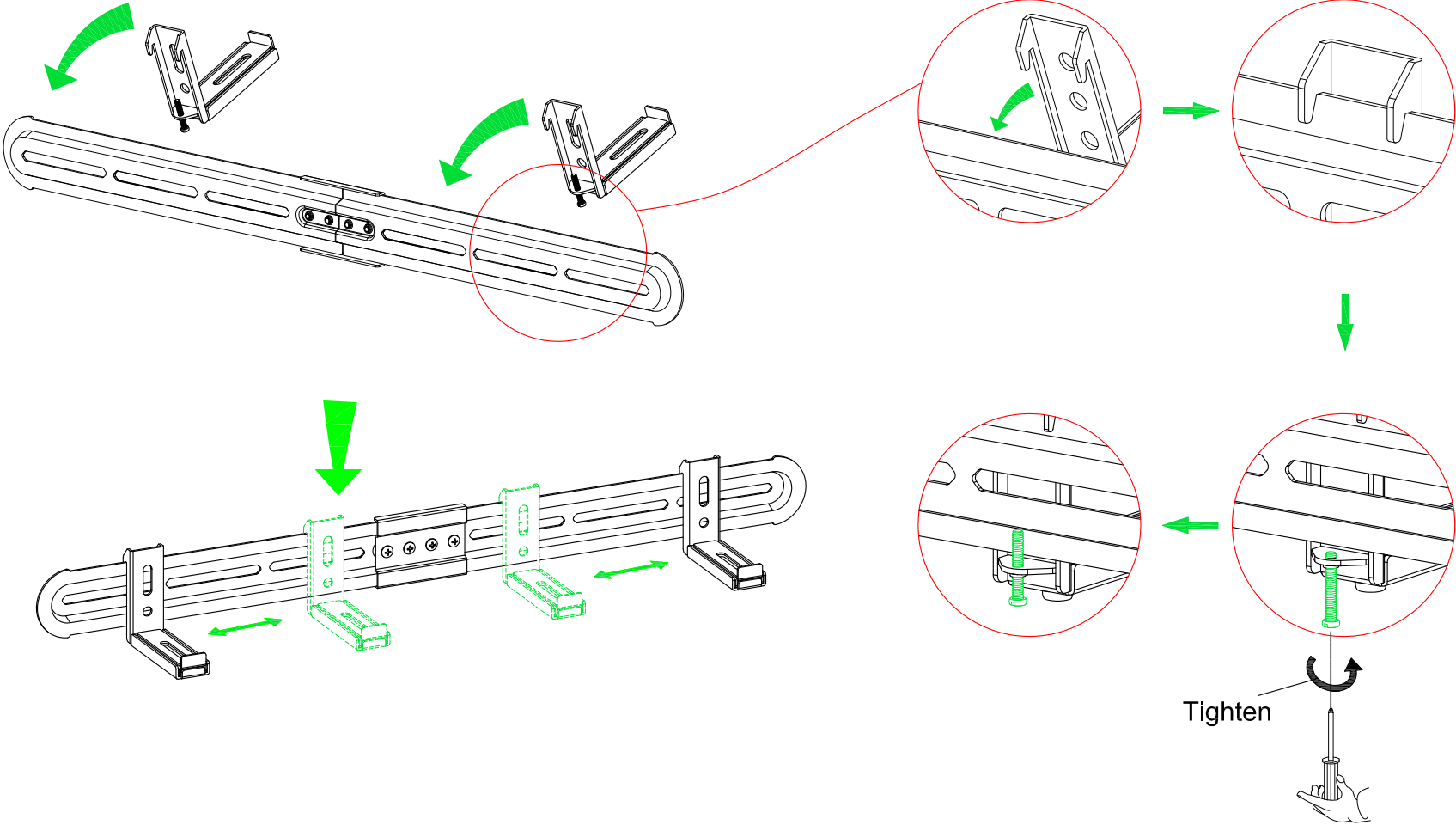
Before putting soundbar, please try to pull the wall plate to make sure that it has been assembled on the wall tightly.



13 LBS (6 kg)

# Hang the Hooks ( STEP 4 For Option 2 and 3 )

Hang the books and tighten the bolts.





# Put on the Soundbar ( STEP 5 For Option 2 and 3 )

If the width of your soundbar bottom is more than 88mm ( 3.46 in ), please follow with below step. Otherwise, put soundbar on the hook directly.

