

WMS005-01

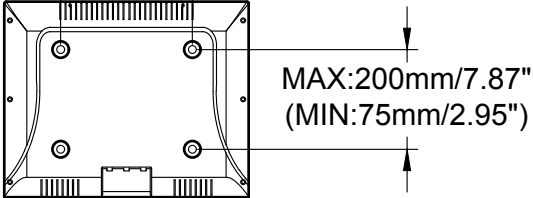

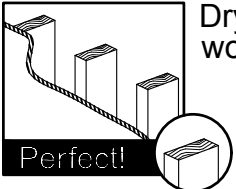
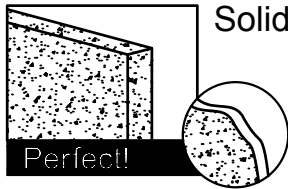
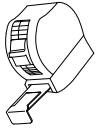
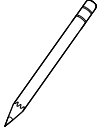
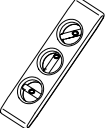
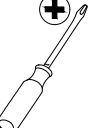
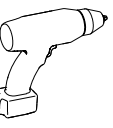





INSTRUCTION MANUAL

For 13-32" TV

If you have any questions along the way, just give us a call
1-800-460-0956 or mail to customerservice@x-mount.com.

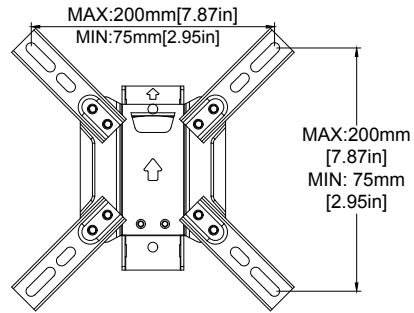
We're ready to help!

Before getting started, let's check below lists to make sure it is just right for you!

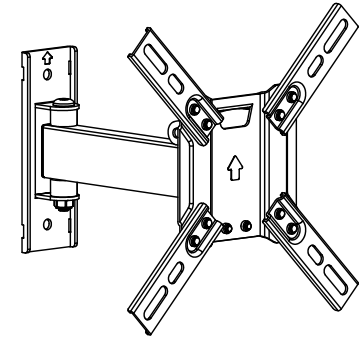
<p>Check your TV VESA is within Min and Max size</p>	<p>1</p> <p>MAX:200mm/7.87" (MIN:75mm/2.95")</p>  <p>MAX:200mm/7.87" (MIN:75mm/2.95")</p> <p>No? This mount is NOT compatible. Yes? Perfect !</p>
<p>Does your TV (including accessories) weigh MORE than 55 lbs. (25 kg)?</p>	<p>2</p>  <p>No? Perfect – you may continue. Yes? This mount is NOT compatible.</p> <div style="border: 1px solid black; padding: 5px;"> <p>⚠ CAUTION: DO NOT exceed the maximum weight indicated. This mounting system is intended for use only with the maximum weights indicated. Use with products heavier than the maximum weights indicated may result in collapse of the mount and its accessories, causing possible injury.</p> </div>
<p>What is your wall made of?</p>	<p>3</p> <div style="display: flex; justify-content: space-between;"> <div style="text-align: center;">  <p>Drywall with wood studs? Perfect!</p> </div> <div style="text-align: center;"> <div style="background-color: red; color: white; padding: 5px; border: 1px solid black;"> <p>CAUTION: DO NOT install into drywall alone</p> </div> </div> <div style="text-align: center;">  <p>Solid concrete Perfect!</p> </div> <div style="text-align: center;"> <div style="border: 1px solid black; padding: 10px;"> <p>? Unsure? Call Customer Service: 1-800-460-0956</p> </div> </div> </div>
<p>Do you have all the tools needed? (NOT INCLUDE)</p>	<p>4</p> <div style="display: flex; justify-content: space-around; text-align: center;"> <div> Tape Measure</div> <div> Pencil</div> <div> Level</div> <div> Screw driver</div> <div> Electric Drill</div> <div> Socket Wrench 1/2 in. (13 mm)</div> <div style="background-color: black; color: white; padding: 5px; writing-mode: vertical-rl; transform: rotate(180deg);">Wood Stud Install</div> <div> Stud Finder</div> <div> Wood Drill Bit 1/8 in. (3.18 mm)</div> <div style="background-color: black; color: white; padding: 5px; writing-mode: vertical-rl; transform: rotate(180deg);">Concrete Install</div> <div> Masonry Drill Bit 3/8 in. (10 mm)</div> <div> Hammer</div> </div>
<p>CAUTION</p>	<p>5</p> <ul style="list-style-type: none"> • This product is designed for use in wood stud, solid concrete walls - DO NOT install into drywall alone • The wall must be capable of supporting five times the weight of the TV and mount itself • Do not use this product for any purpose not explicitly specified by manufacturer • Manufacturer is not responsible for damage or injury caused by incorrect assembly or use

Dimensions

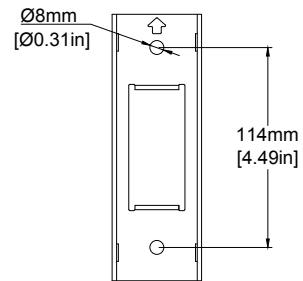
TV INTERFACE



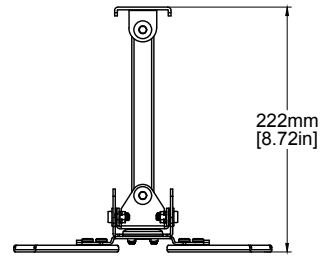
3-D



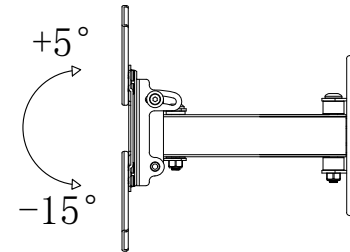
WALL PLATE



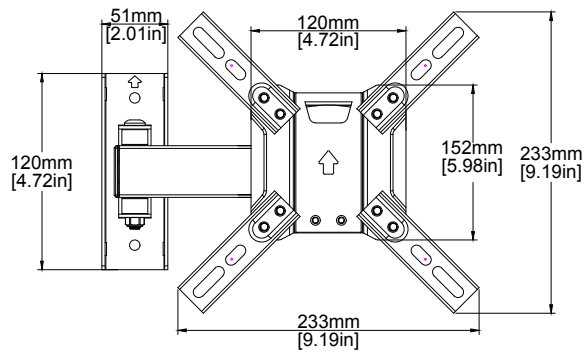
TOP VIEW - EXTENDED



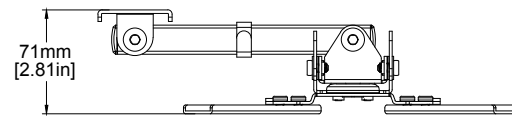
SIDE VIEW - EXTENDED



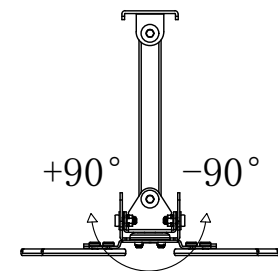
FULLY ASSEMBLED MOUNT



TOP VIEW - RETRACTED



TOP VIEW - EXTENDED



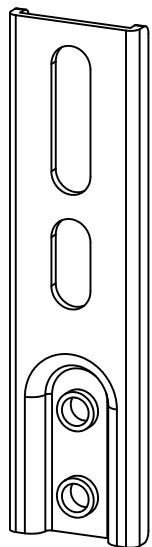
Parts and Hardware

▲ WARNING: This product contains small items that could be a choking hazard if swallowed. Before starting assembly, verify all parts are included and undamaged. If any parts are missing or damaged, do not return the damaged item to your dealer; contact Customer Service.
Never use damaged parts!

NOTE: Not all hardware included will be used.

Parts and Hardware for STEP 1

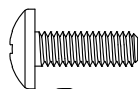
Extenders



05 x4

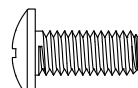
TV Screws

M4x12mm



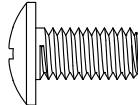
a x4

M5x12mm



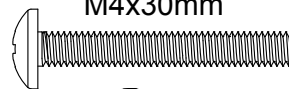
b x4

M6x12mm



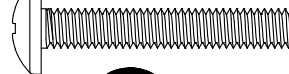
c x4

M4x30mm



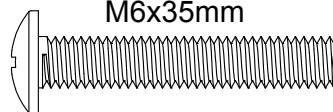
d x4

M5x30mm



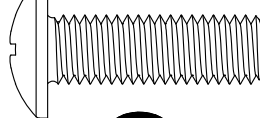
e x4

M6x35mm



f x4

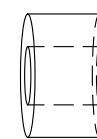
M8x25mm



g x4

Spacers

10mm



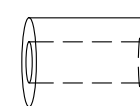
h x4

2.5mm



i x8

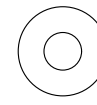
M6x17mm



j x4

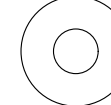
Washers

M4



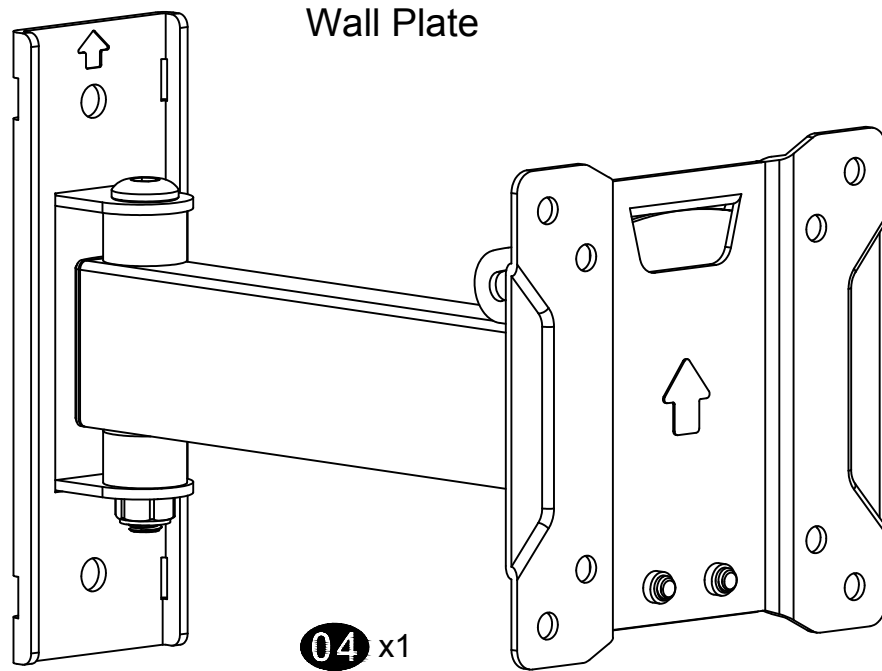
k x4

M6

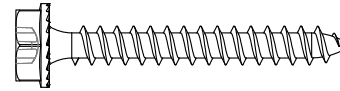


l x4

Parts and Hardware for STEP 2

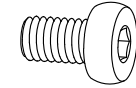


Lag Bolt



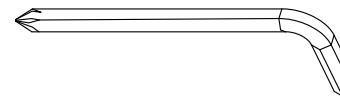
01 x2

M6x8mm Bolt



02 x8

Allen Key

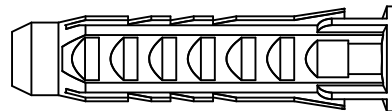


03 x1



Velcro x3

Concrete wall anchor (NOT INCLUDED)

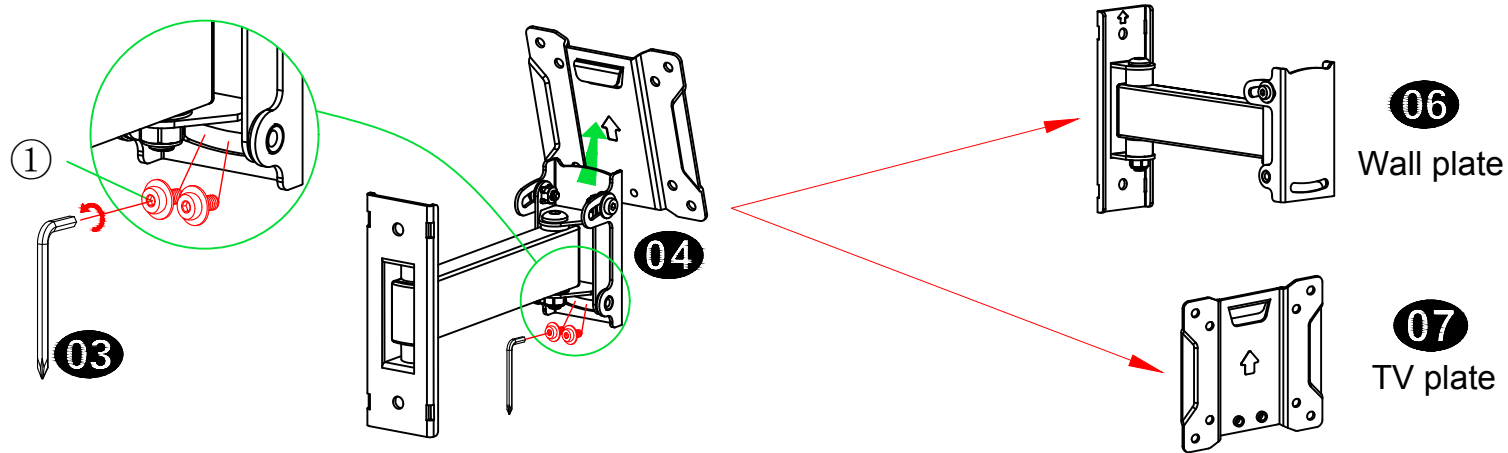


Concrete Wall Anchor
2pcs

Contact us at telephone 1-800-460-0956 (USA) or mail to customerservice@x-mount.com. to have these additional pieces shipped directly to you.

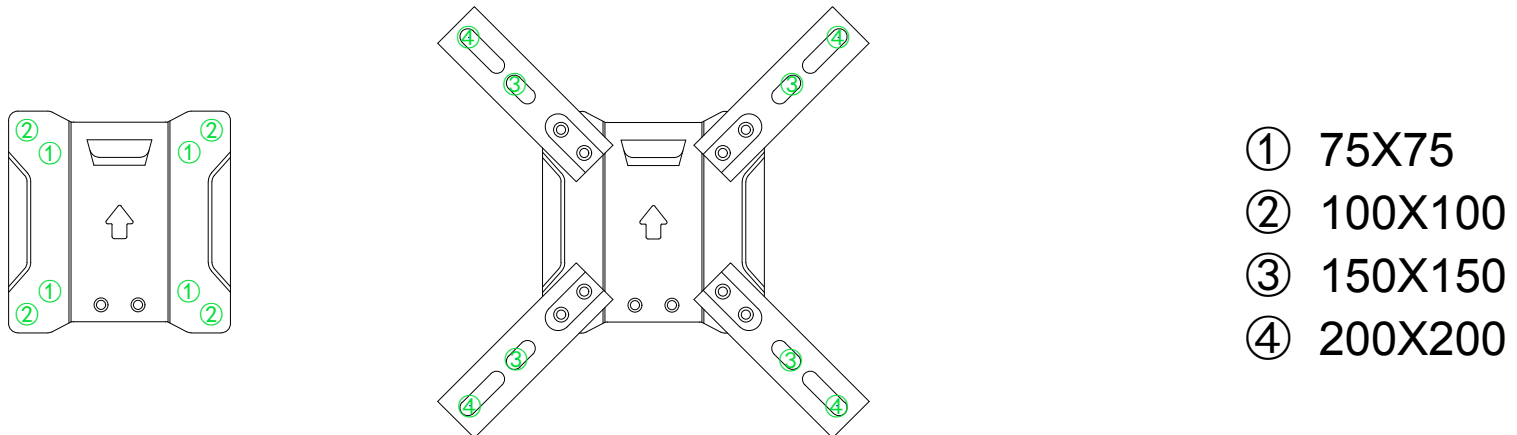
STEP 1 Attach TV Plate to TV

1-1 Disassemble Wall Plate Unit into Two Pieces



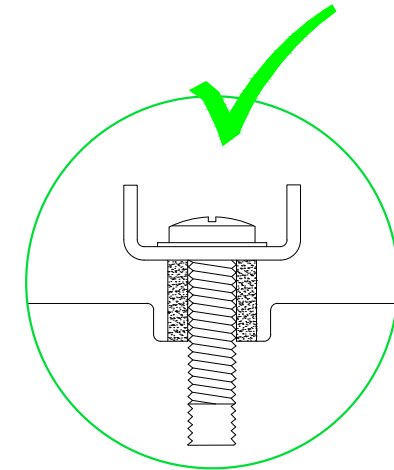
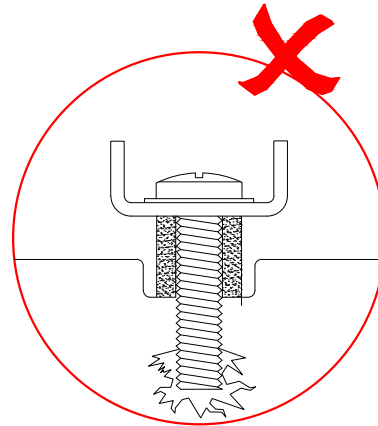
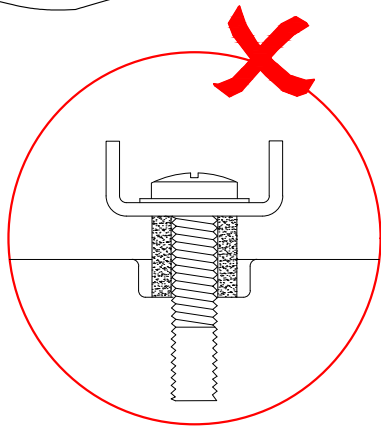
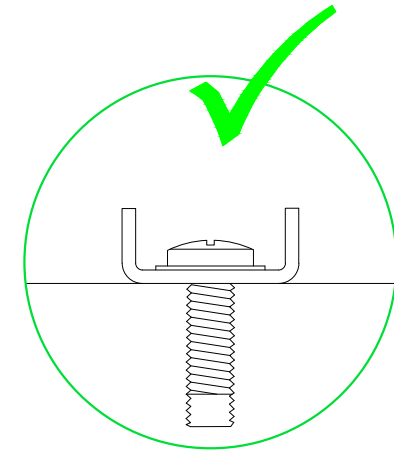
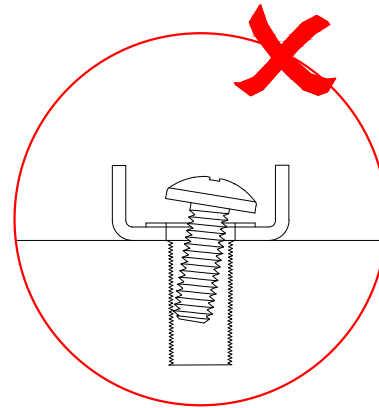
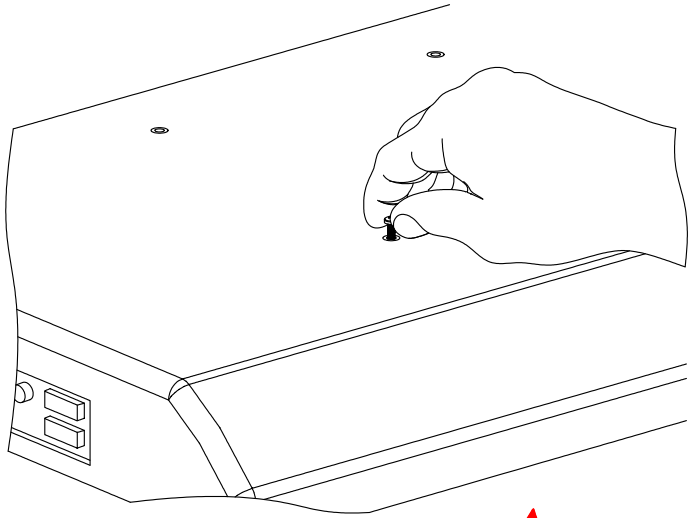
1-2 Choose Correct Configuration Per VESA Size on the Back of Your TV.

If your TV VESA size is bigger than 200x200, you must use allen key **03** and bolts **02** to attach 4pcs of extenders **05** onto TV plate **07**.



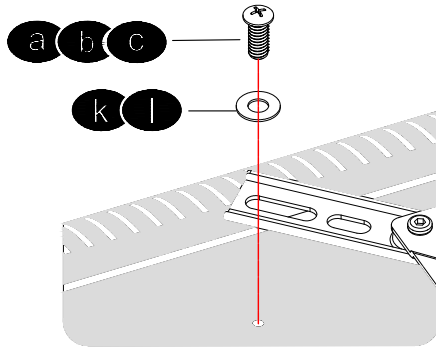
1-3 Select TV Screws

M4 M6 M8

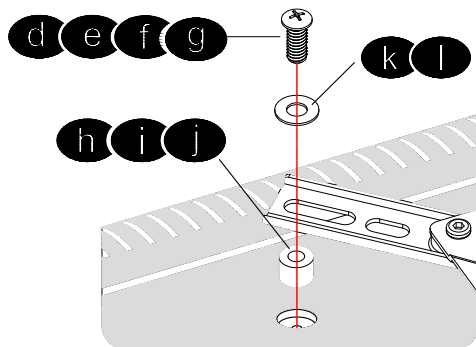


1-4 Need Spacer?

I No, choose suitable screws and washers.

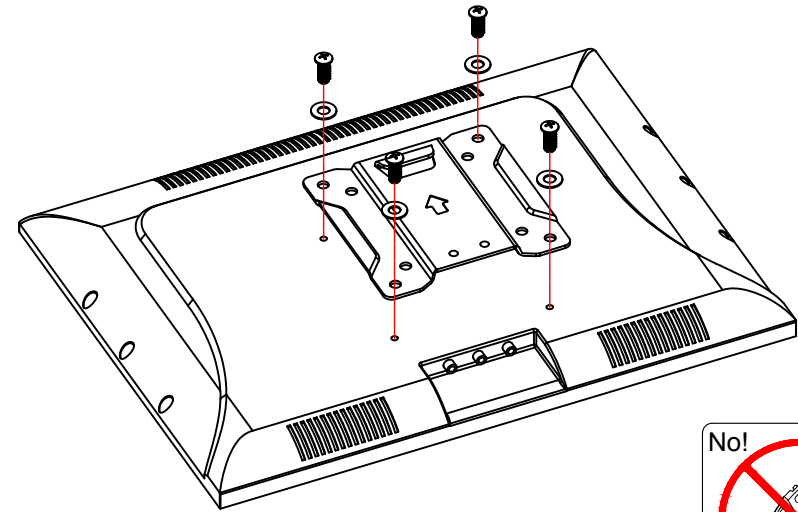


II Yes, choose suitable screws, washers and spacers.

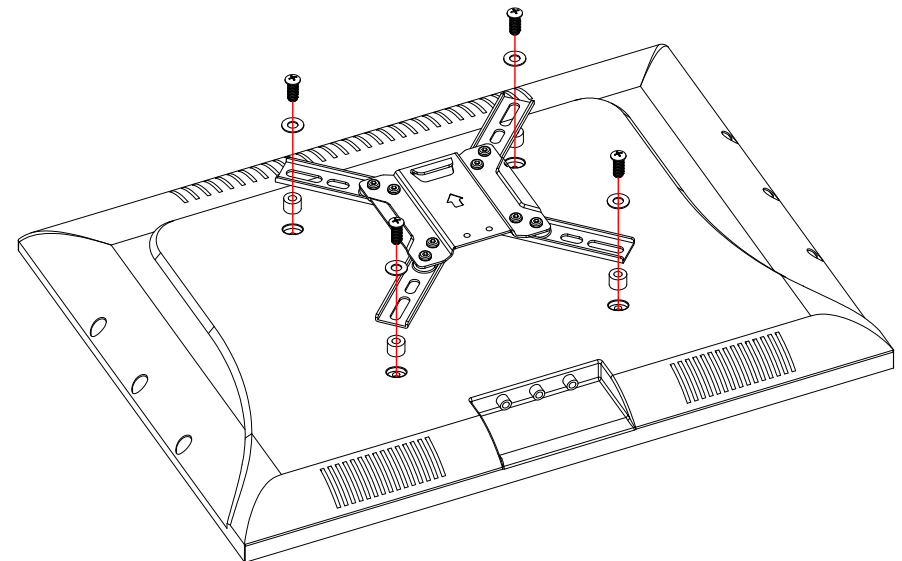
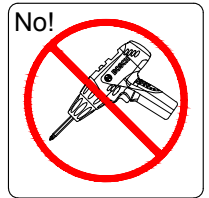


Tips: If you need to combine M6/M8(g/f) screws with 2.5mm spacers(i), you have to remove the inner circle.

1-5 Attach the TV Plate



VESA \leq 100mm x 100mm



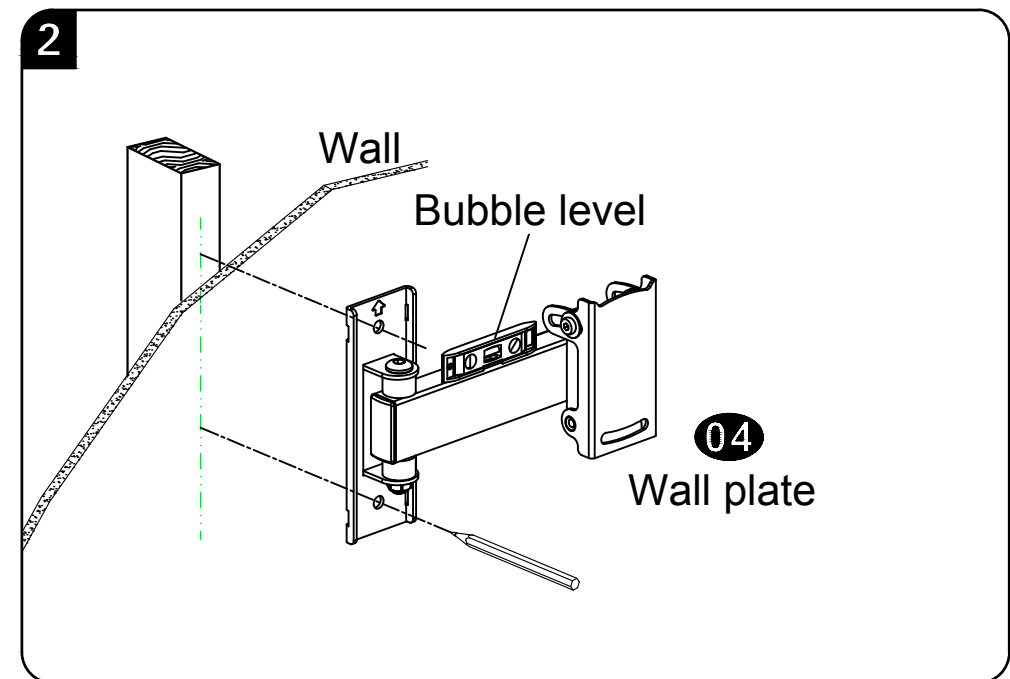
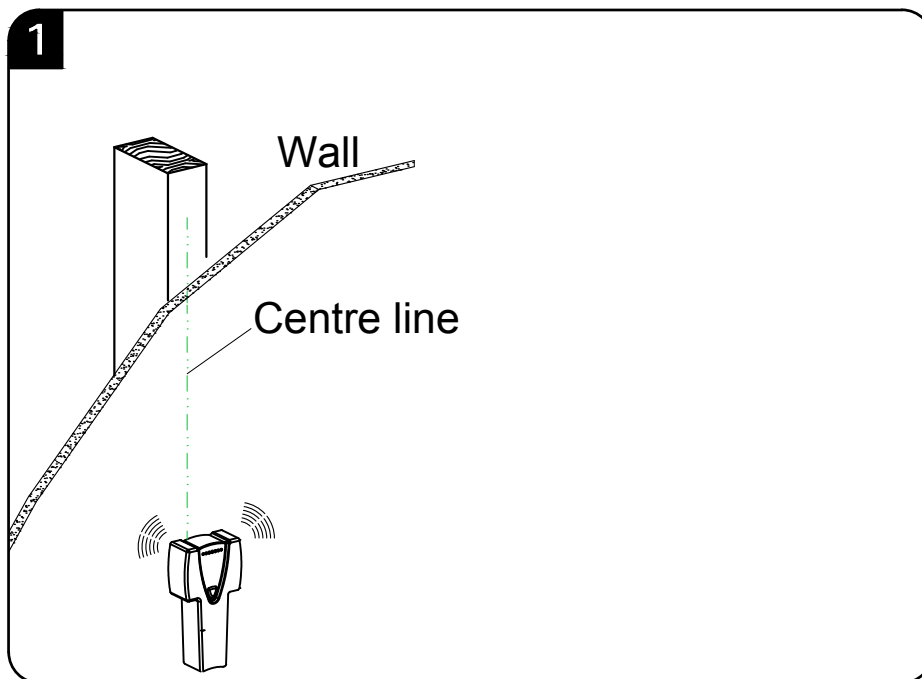
100mm x 100mm < VESA \leq 200mm x 200mm

STEP 2A Attach Wall Plate to Wall Wood Stud Option

⚠ **CAUTION:** Avoid potential personal injury or property damage!

- Drywall covering the wall, must not exceed 5/8 in. (16 mm)
- Minimum **wood stud** size: common 2 x 4 in. (51 x 102 mm) nominal 1½ x 3½ in. (38 x 89 mm)
- Stud center must be verified

1. Locate your studs. Verify and mark the center of the stud by finding the stud edges using a thin nail, or an edge to edge stud finder.
2. Position the wall plate **04** at your desired height and line up the holes with your stud center line. Level the wall plate and mark the hole locations.



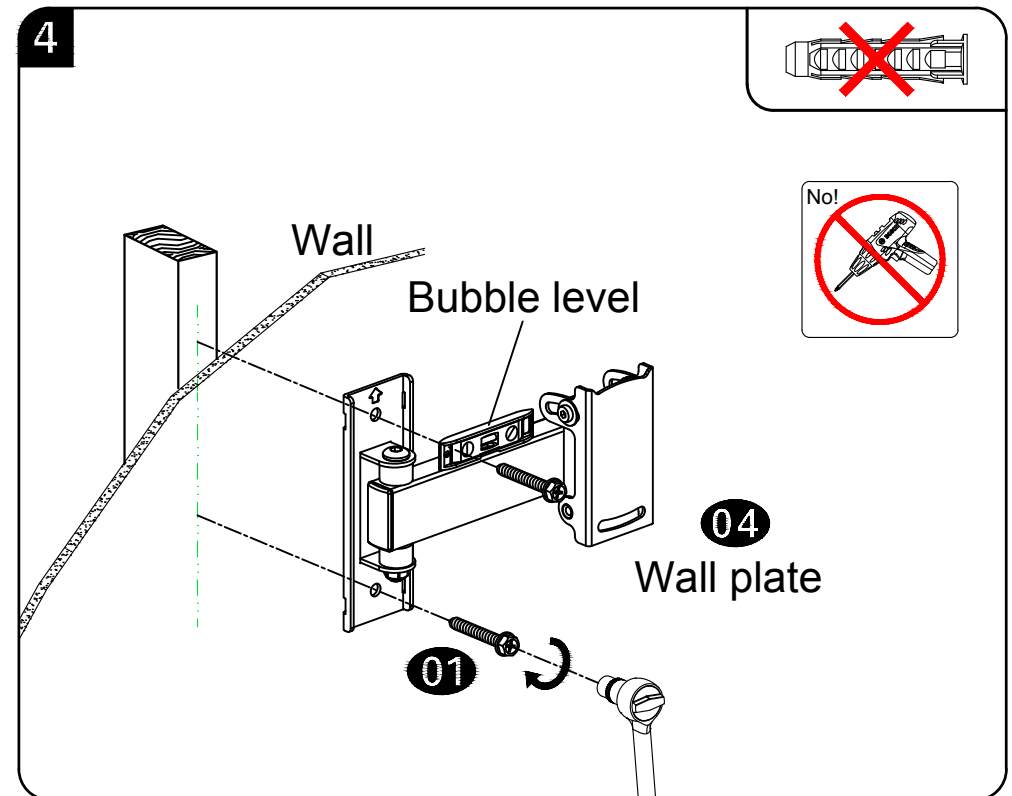
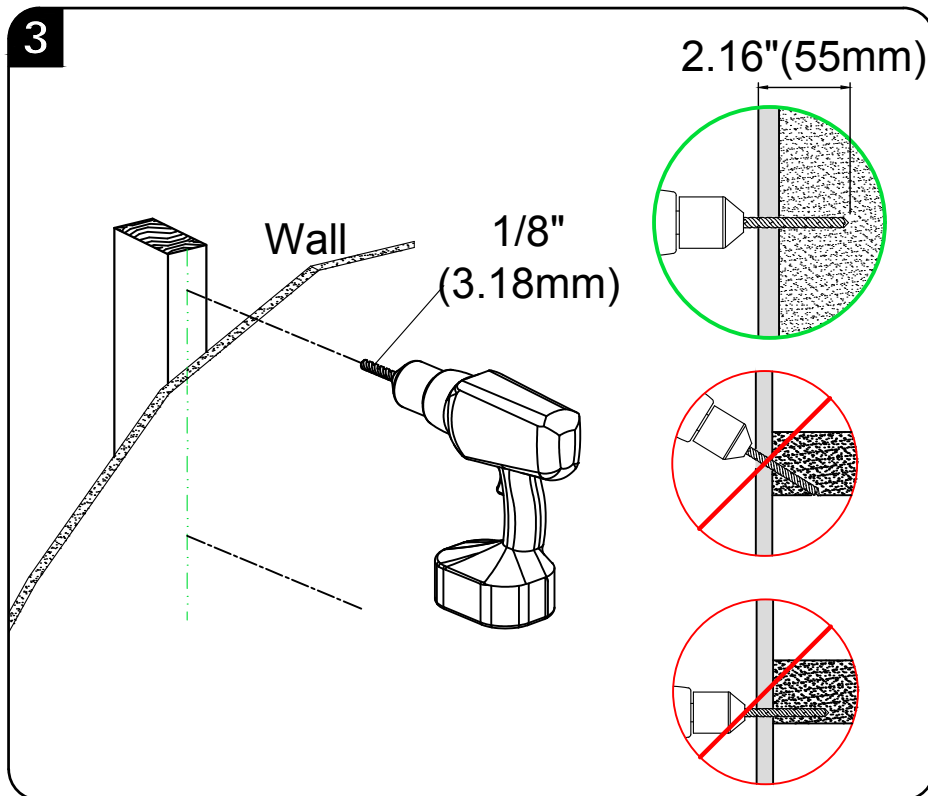
3. Drill pilot holes using a 1/8 in. (3.18 mm) diameter drill bit.

! IMPORTANT: Pilot holes must be drilled to a depth of 2.16 in. (55 mm). Be sure to drill into the center of the studs.

4. Install wall plate **04** using lag bolts **01**. Tighten the lag bolts only until they are pulled firmly against the wall plate.

! CAUTION: Improper use could reduce the holding power of the lag bolt.
DO NOT over-tighten the lag bolts.

Go to STEP 3 on PAGE 13



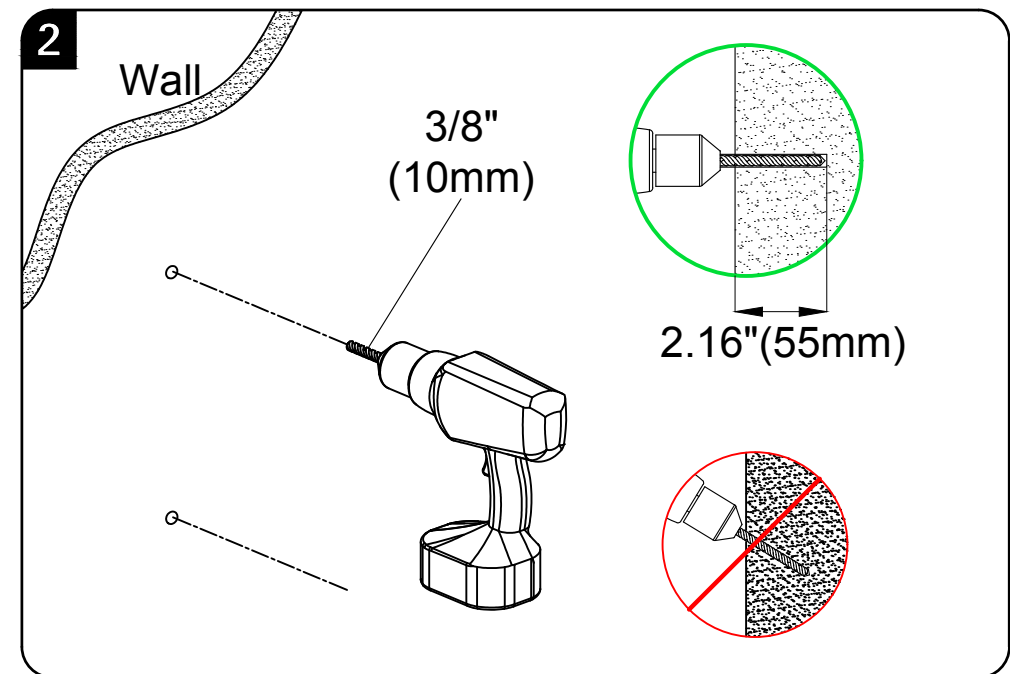
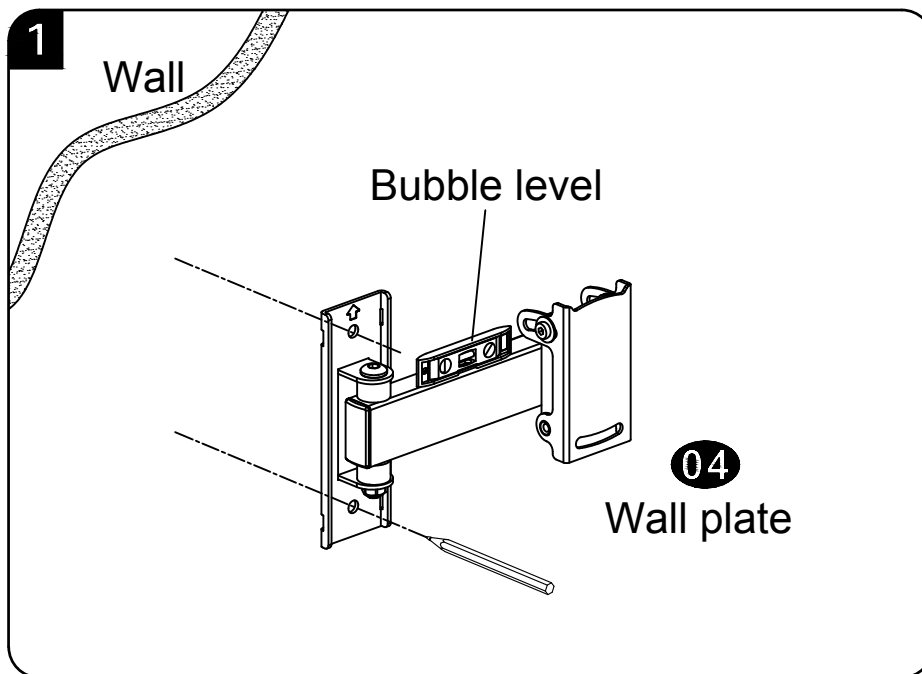
STEP 2B Attach Wall Plate to Solid Concrete Wall

⚠ CAUTION: Avoid potential personal injury or property damage!

- Mount the wall plate assembly **04** directly onto the concrete surface
- Minimum **solid concrete** thickness: 8 in. (203 mm)

1. Position the wall plate **04** on the wall at your desired height. Level the wall plate and mark the hole locations.
2. Drill four pilot holes using a 3/8 in. (10 mm) diameter masonry drill bit.

❗ IMPORTANT: Pilot holes must be drilled to a depth of 2.16 in. (55 mm).

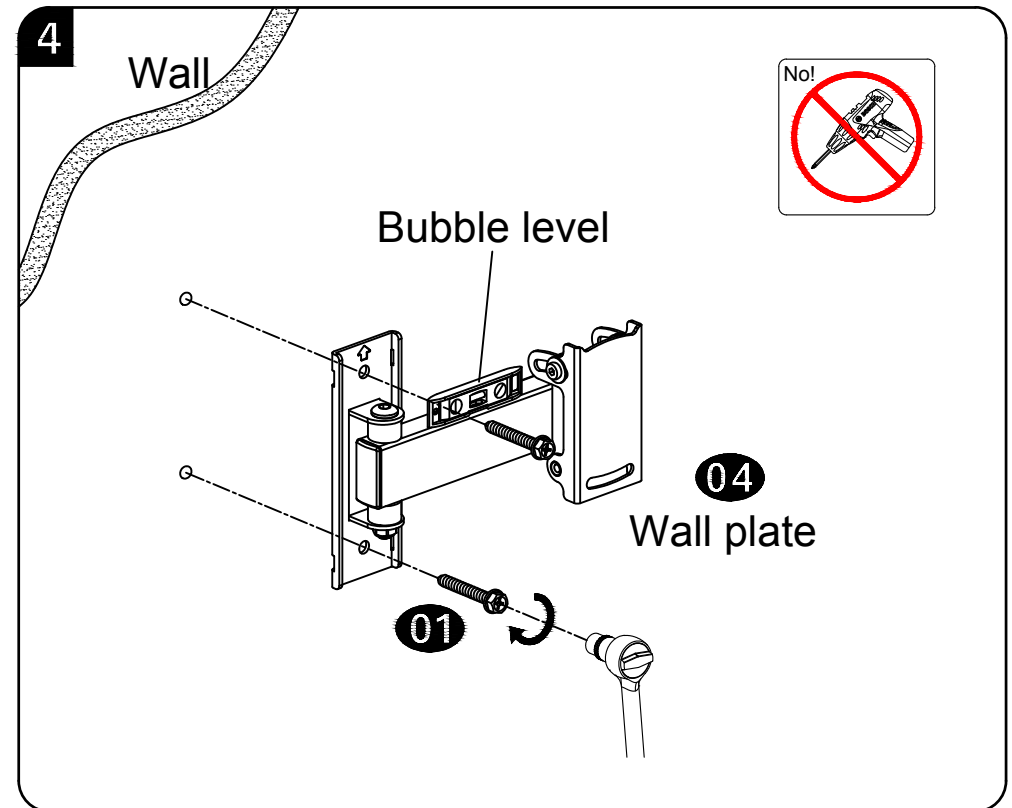
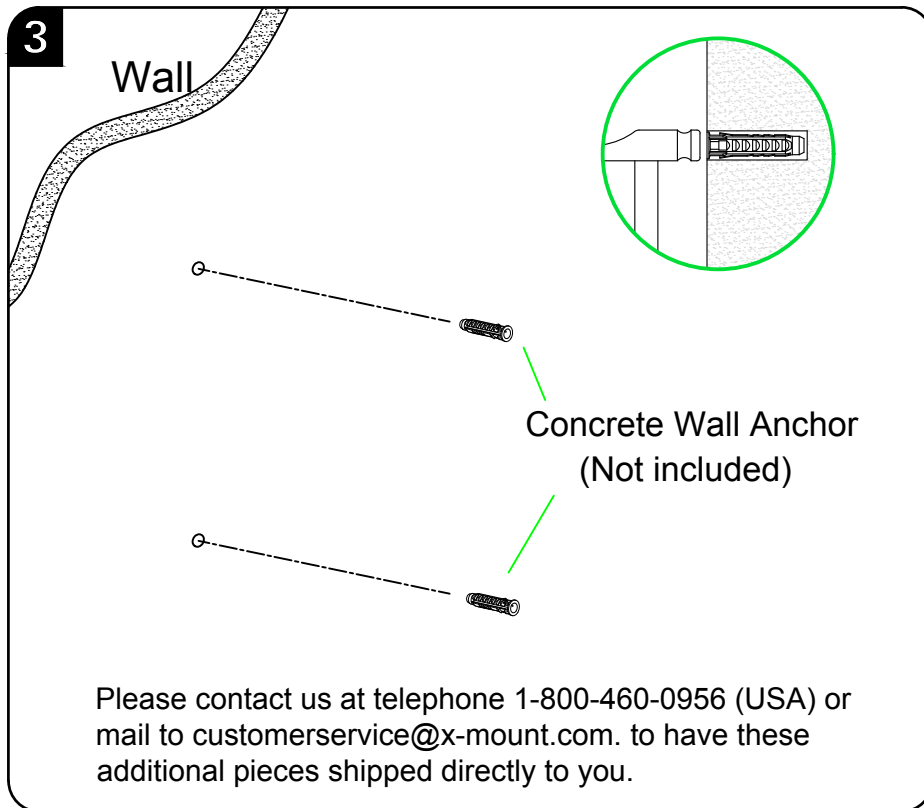


3. Insert anchors.

▲ CAUTION: Be sure the anchors are seated flush with the concrete surface.

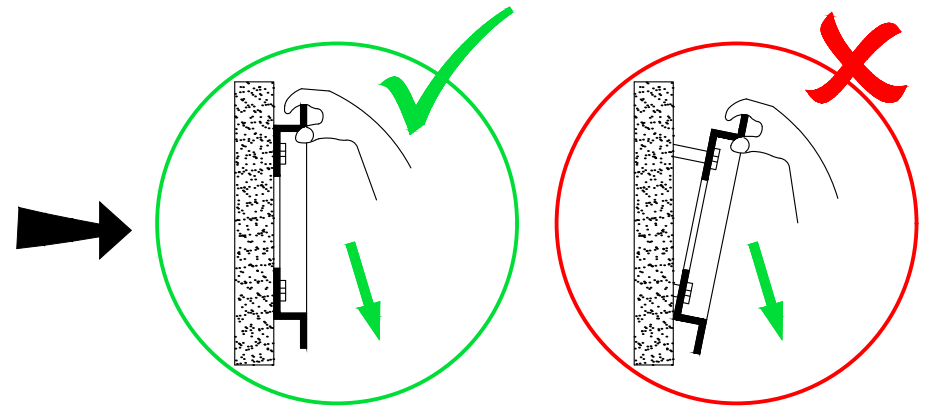
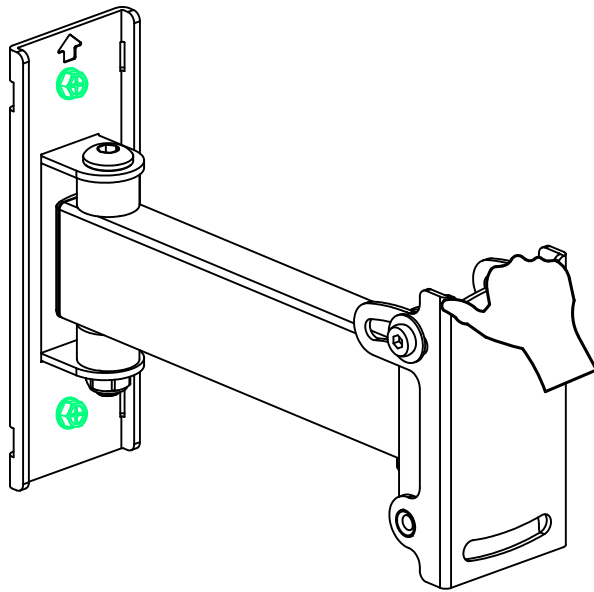
4. Insert wall plate 04 using lag bolts 01. Tighten the lag bolts only until they are pulled firmly against the wall plate.

▲ CAUTION: Improper use could reduce the holding power of the lag bolt.
DO NOT over-tighten the lag bolts.



STEP 3 Wall Plate Installation Integrity Test

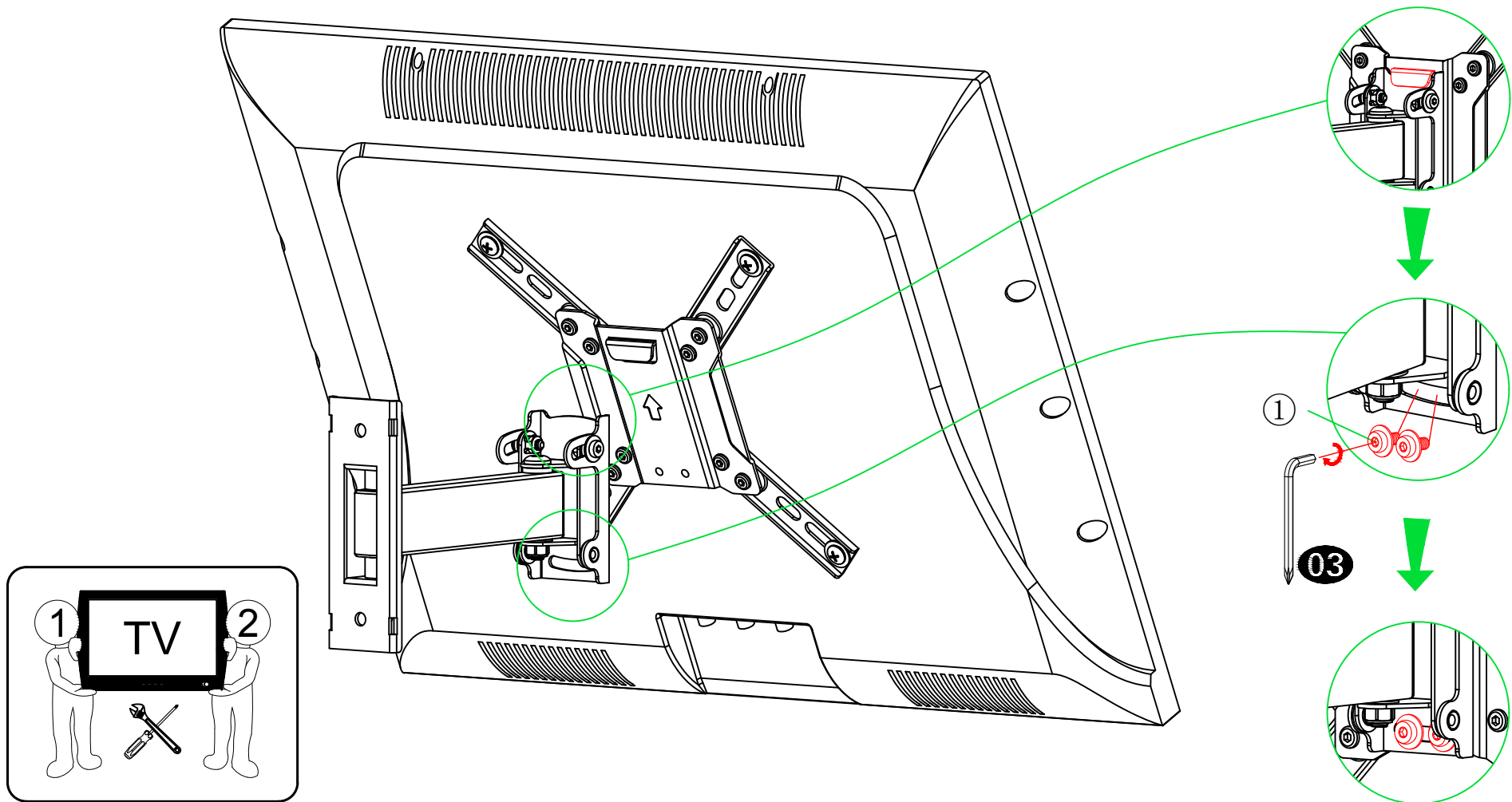
Before hanging TV, please try to pull the mount to make sure that it has been assembled on the wall tightly.



55 LBS (25 kg)

STEP 4 Hang and Secure TV to Wall Plate

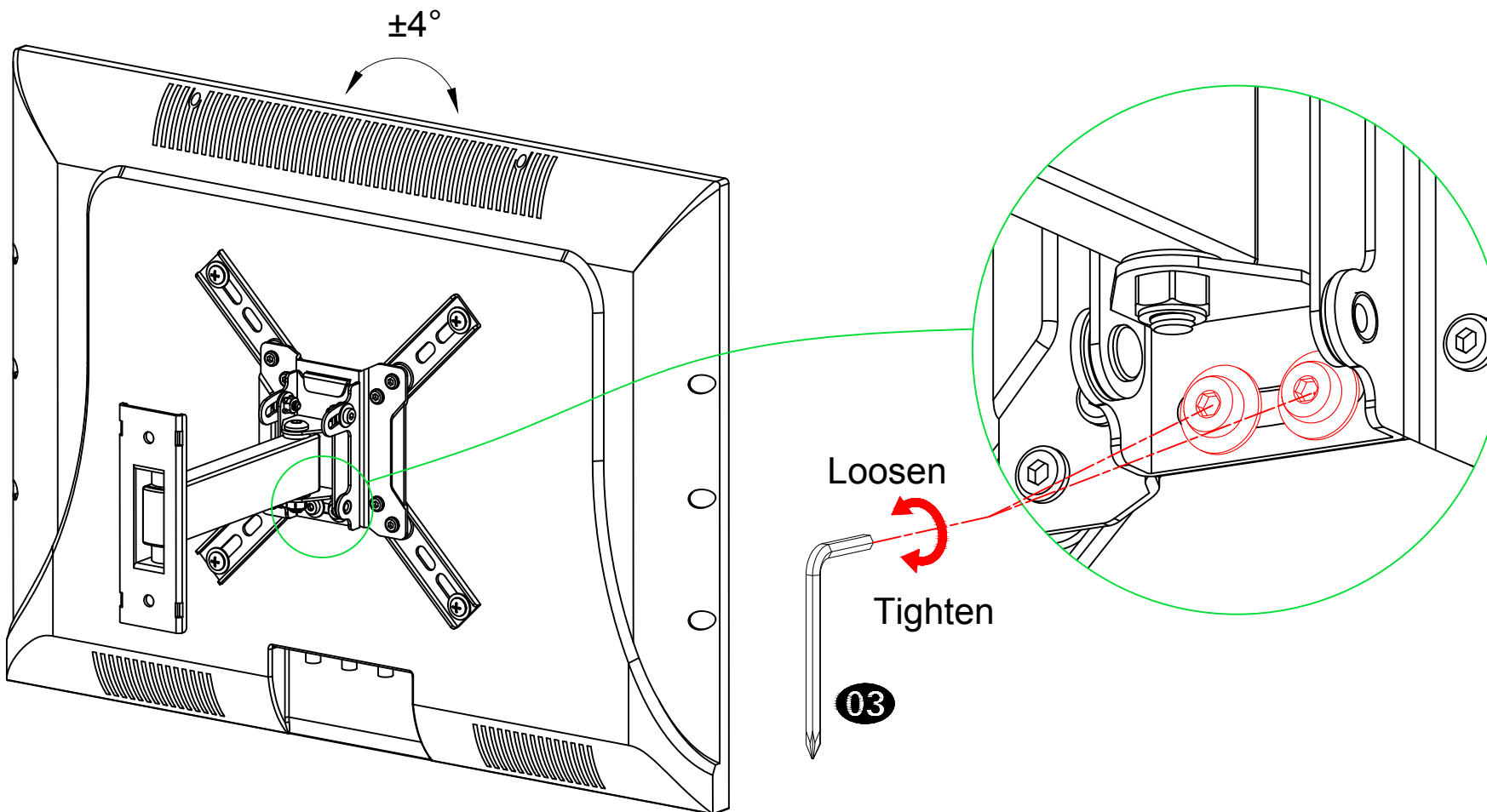
Hang pre-assembled TV unit on the wall plate and fix them using screws ①.



STEP 5 Adjustments

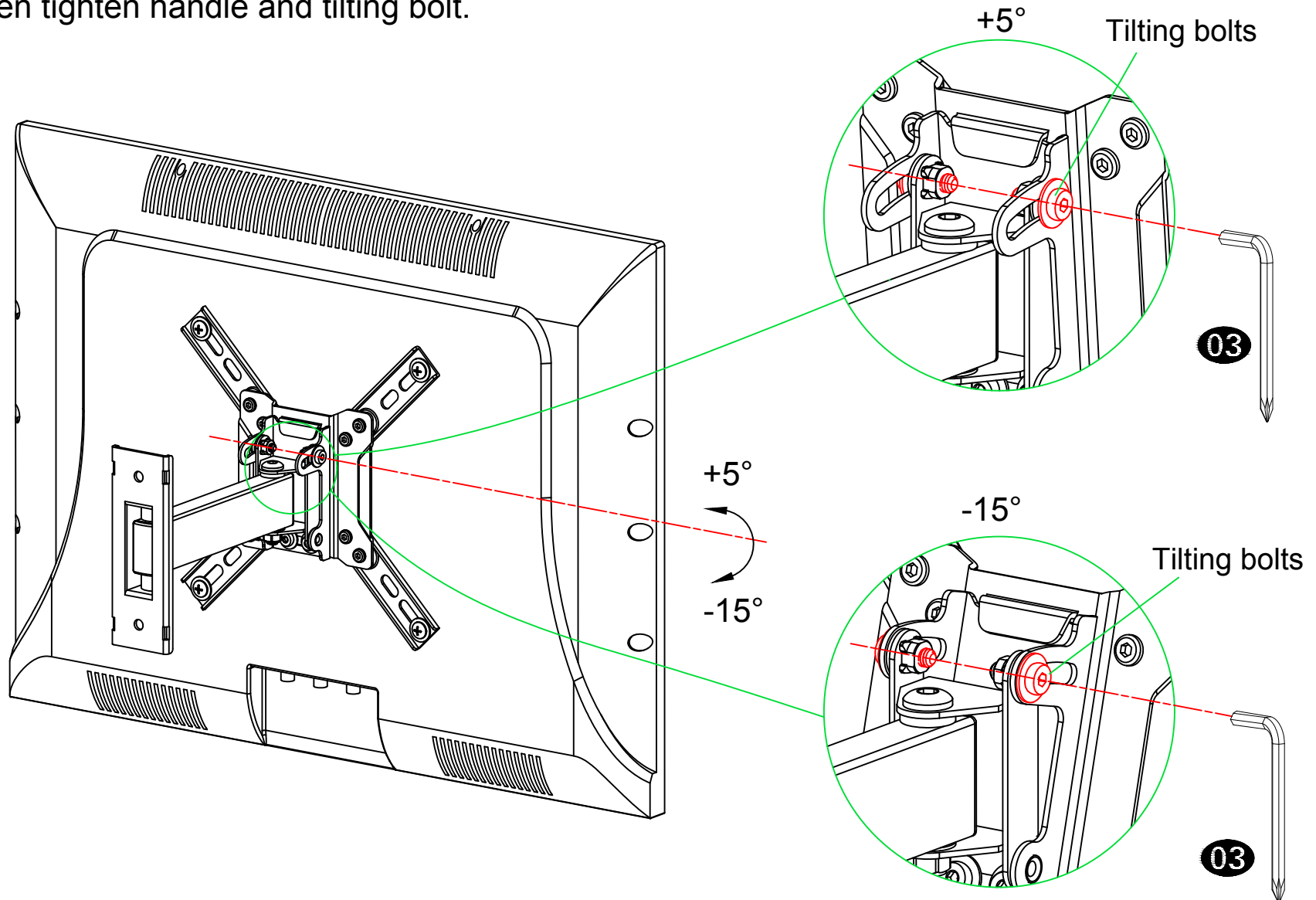
5-1 TV leveling adjustment ($\pm 4^\circ$):

Loosen 2 leveling bolts on the rear of TV plate by maximum 2 turns, adjust to level and retighten to secure.



5-2 Tilting angle adjustment (+5°/-15°):

Loosen handle and tilting bolt, adjust TV to your desired position, then tighten handle and tilting bolt.



5-3 Cables manage:
Manage TV cables orderly and guide them through the velcros.

