




XAS502

INSTRUCTION MANUAL

If you have any questions along the way, just message to us. We're ready to help!

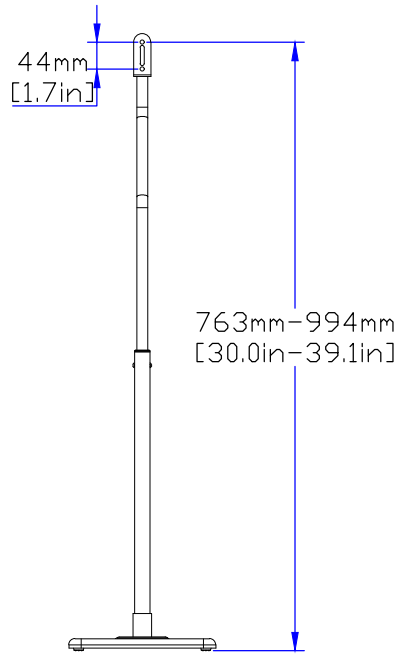
⚠ CAUTION: PLEASE READ ENTIRE MANUAL PRIOR TO USE AND SAVE THESE INSTRUCTIONS.

Before getting started, let's check below lists to make sure it is just right for you!

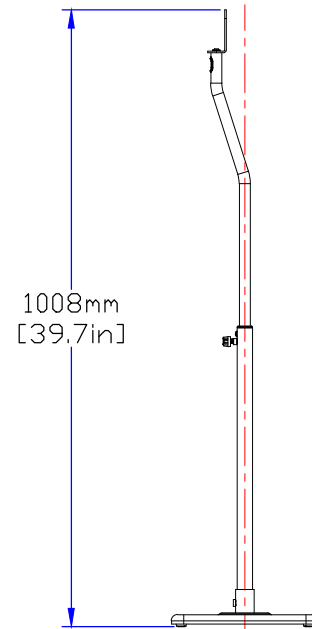
<p>Does your assembled stand (including accessories) weigh MORE than 11 lbs. (5 kg)?</p>	<p>1</p>  <p>No? Perfect – you may continue. Yes? This mount is NOT compatible.</p>	<p>⚠ CAUTION: DO NOT exceed the maximum weight indicated. This mounting system is intended for use only with the maximum weights indicated. Use with products heavier than the maximum weights indicated may result in collapse of the mount and its accessories, causing possible injury.</p>
<p>Do you have all the tools needed? (NOT INCLUDE)</p>	<p>2</p> <div style="display: flex; justify-content: space-around; align-items: center;"> <div style="text-align: center;">  <p>Tape Measure</p> </div> <div style="text-align: center;">  <p>Open-end wrench</p> </div> </div>	
<p>CAUTION</p>	<p>3</p> <p>Never let children climb on product or play with product. Do not sit or stand on product. Do not fasten a speaker that is heavier than the recommended load rating to the mount. Improper installation may cause property damage and/or personal injury, so the installation must be done by two qualified contractors. The manufacture is not liable for damage or injury caused by incorrect mounting, assembly or use. Improper handling can result in cuts and lacerations. Pictures for reference only, subject to our available products. Keep this instruction for future reference.</p>	

Dimensions

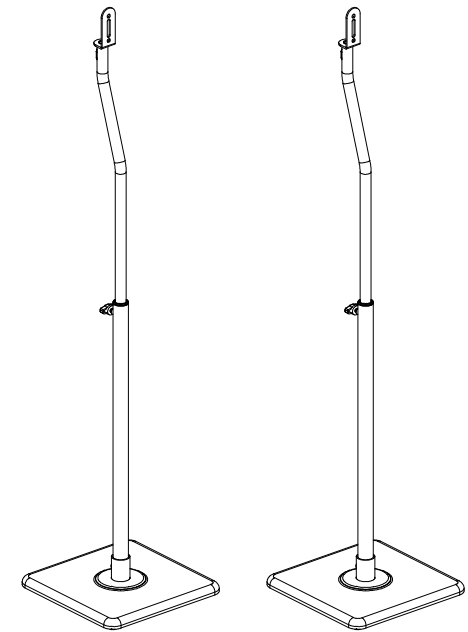
FRONT VIEW



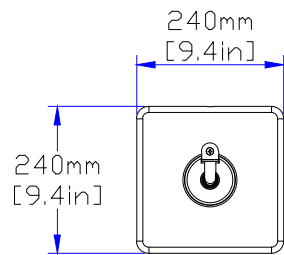
SIDE VIEW



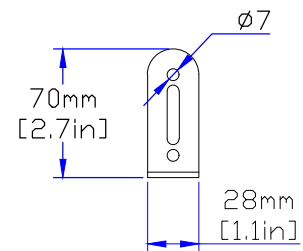
3-D



TOP VIEW



SPEAKER ATTACHMENT UNIT FRONT VIEW



Parts and Hardware

⚠ WARNING: This product contains small items that could be a choking hazard if swallowed. Before starting assembly, verify all parts are included and undamaged. If any parts are missing or damaged, do not return the damaged item to your dealer; contact Customer Service.
Never use damaged parts!

📄 NOTE: Not all hardware included will be used.

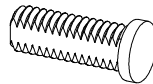
Parts and Hardware for STEP 1



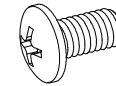
a--M4X30 bolt
2pcs



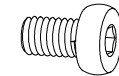
b--M6X30 bolt
2pcs



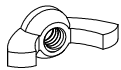
c--M6X24 key
hole bolt 2pcs



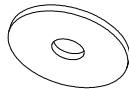
01 M6X12 bolt
2pcs



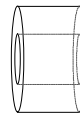
02 M6X10 bolt
2pcs



d--M6 Butterfly Nut
2pcs



e--M4 washer
2pcs



f--M6 spacer
2pcs

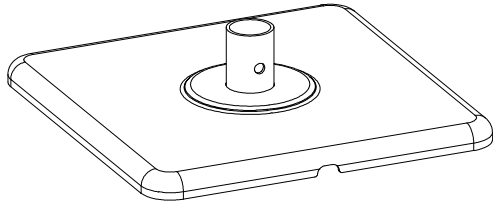


03 M4X4 bolt
2pcs

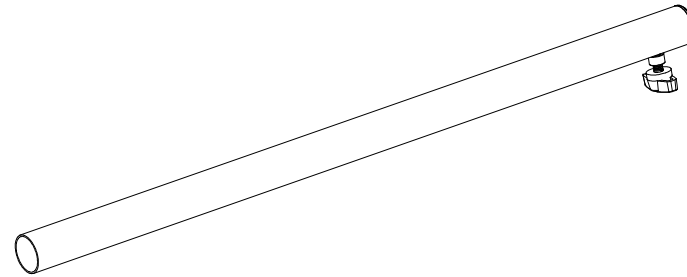


04 M6 Carpet Nail
8 pcs

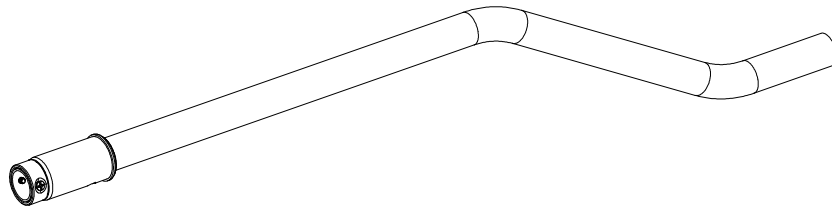
Parts and Hardware for STEP 2



08 Base
2pcs



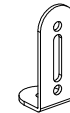
10 Bottom tube
2pcs



09 Adjusting tube
2pcs



05 M6 Carpet Nut
8 pcs



06 Speaker attachment
unit 2pcs



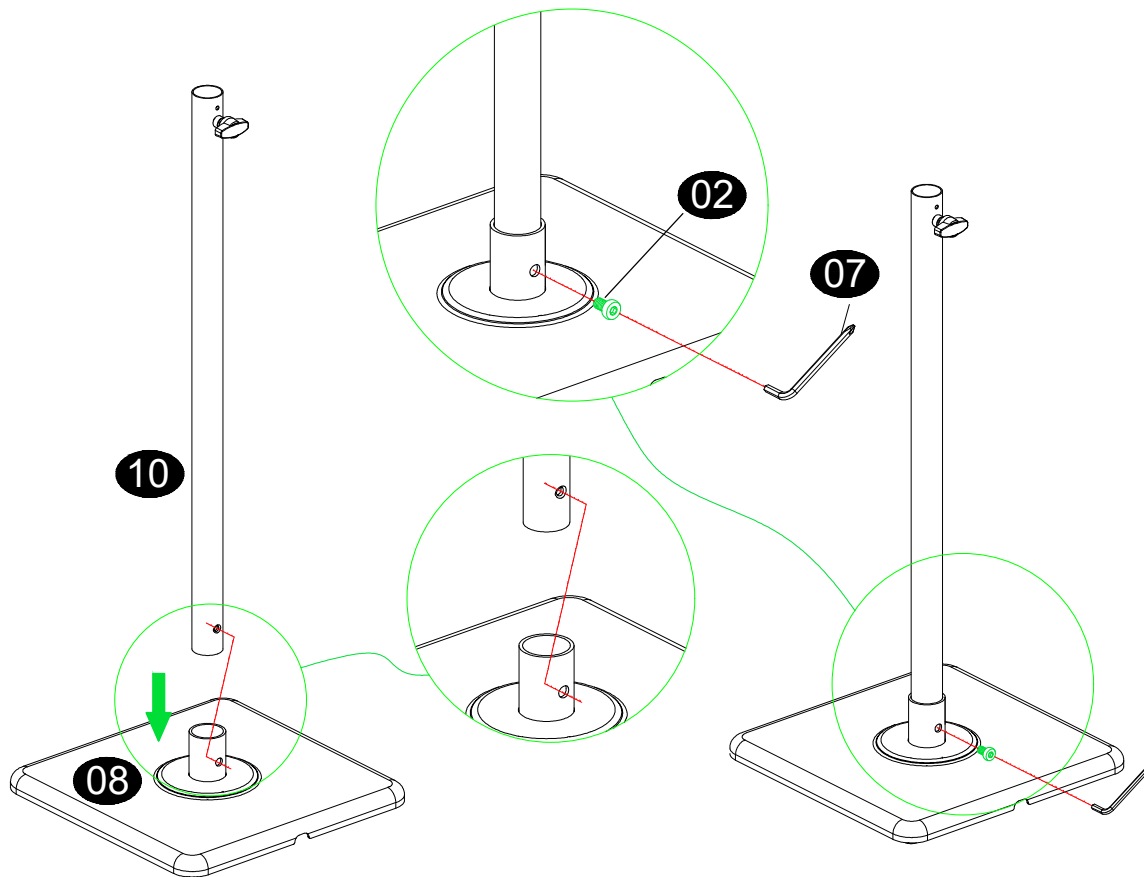
Velcro x6



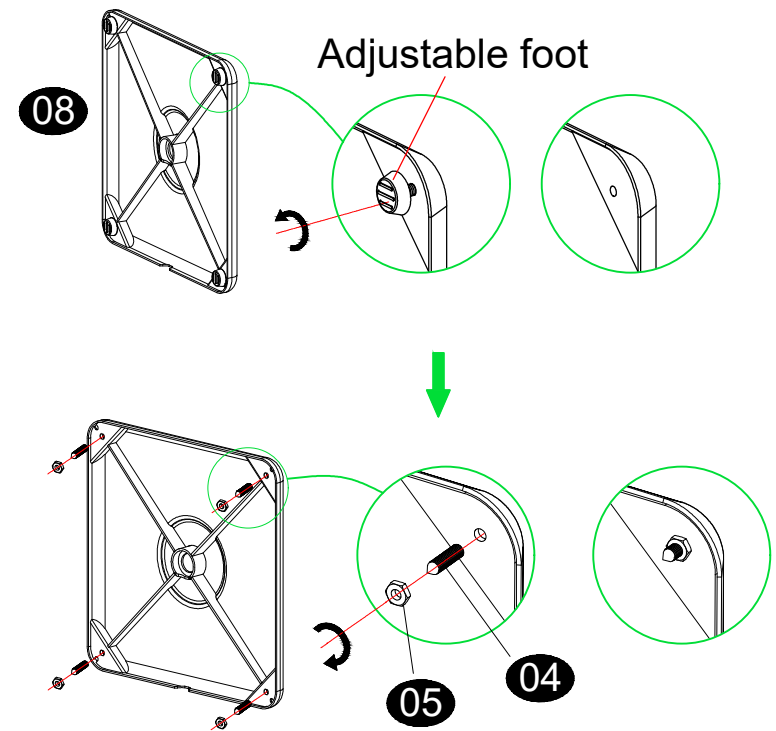
07 Allen key
1pc

STEP 1 Assemble Product

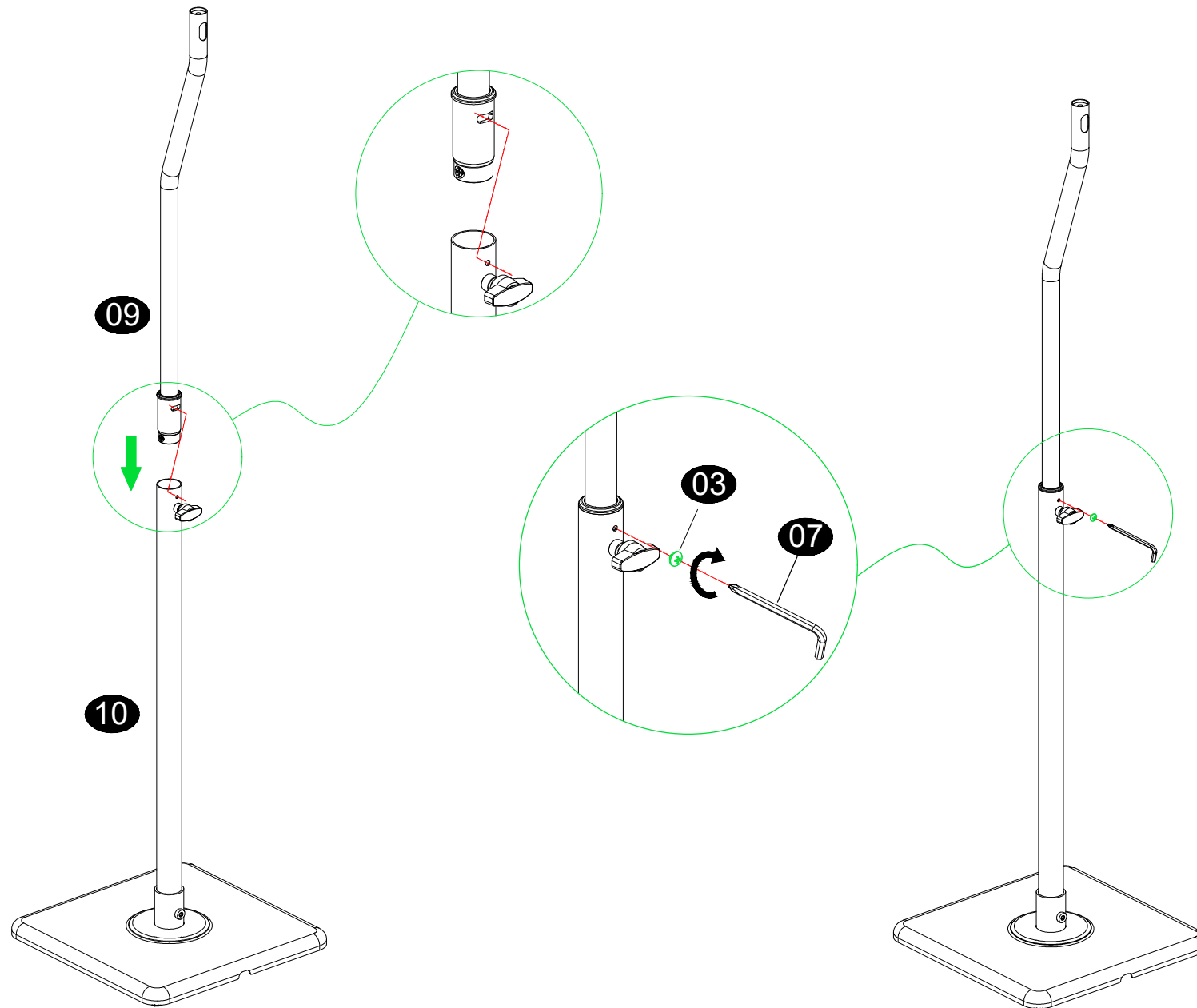
1-1 Insert bottom tube **10** into base **08** , then fasten bolt **02** by using Allen key **07** .



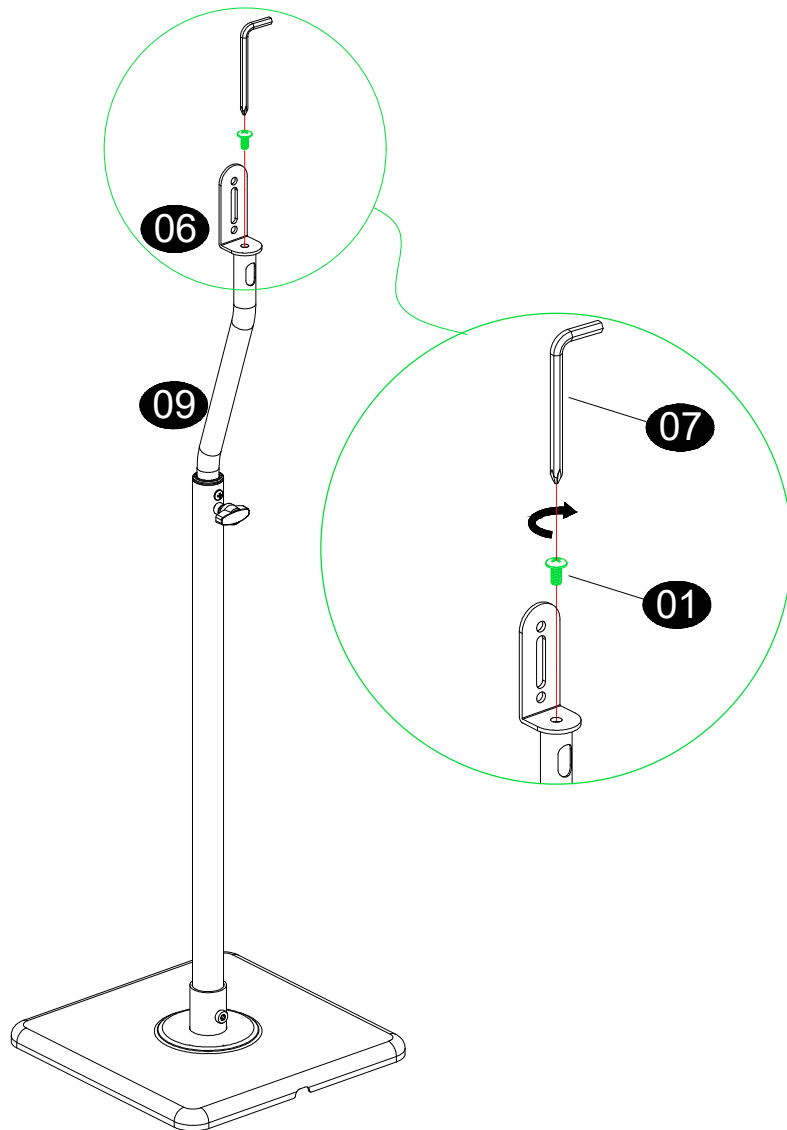
Option: If the stand is placed on carpet, spin to loosen and remove the rubber feet, install the carpet nail **04** and screw to the end, then use the nut **05** to tighten the nail.



1-2 Insert Adjusting tube **09** into bottom tube **10** and use Allen key **07** to fasten bolt **03** .



1-3 Attach the Speaker attachment unit **06** to the Adjusting tube **09** and fasten it with bolt **01**.



Installation method of wires:

Method 1: Pass the wire through the internal connection of the product;

Method 2: Fix the wire directly on the surface of the product tube with Velcro.

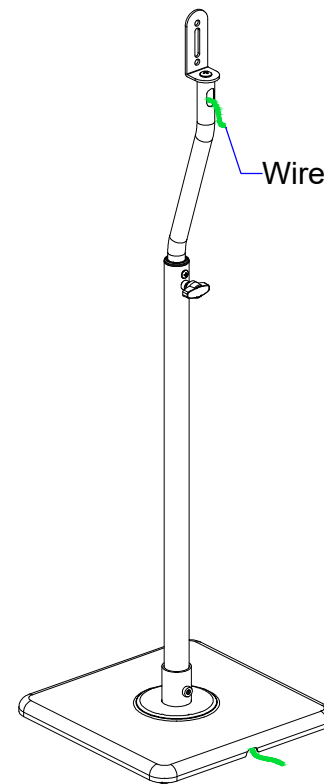


Figure 1

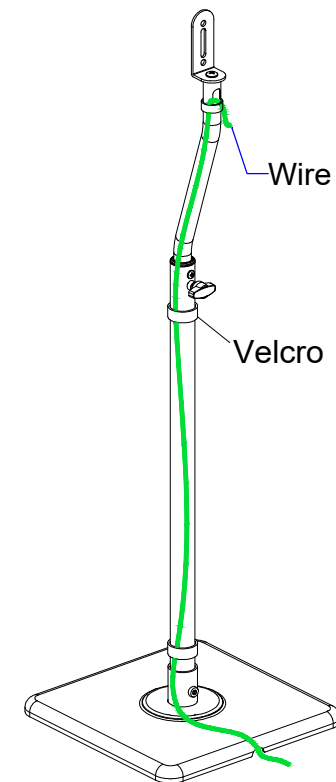


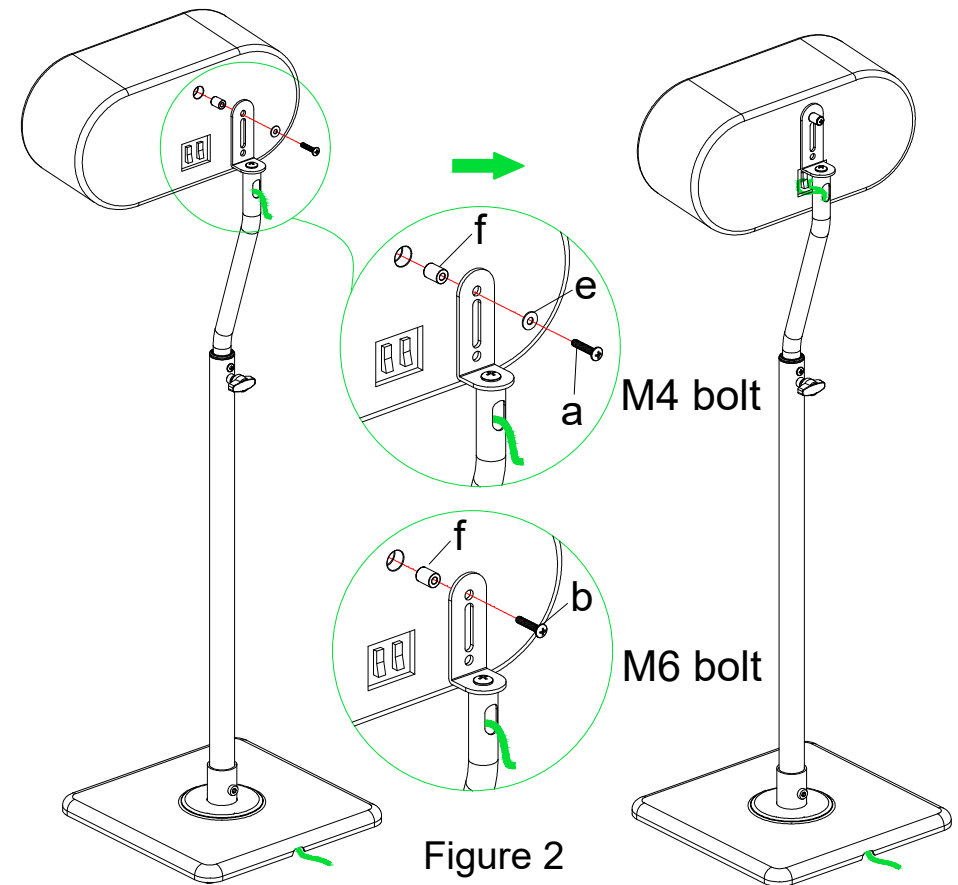
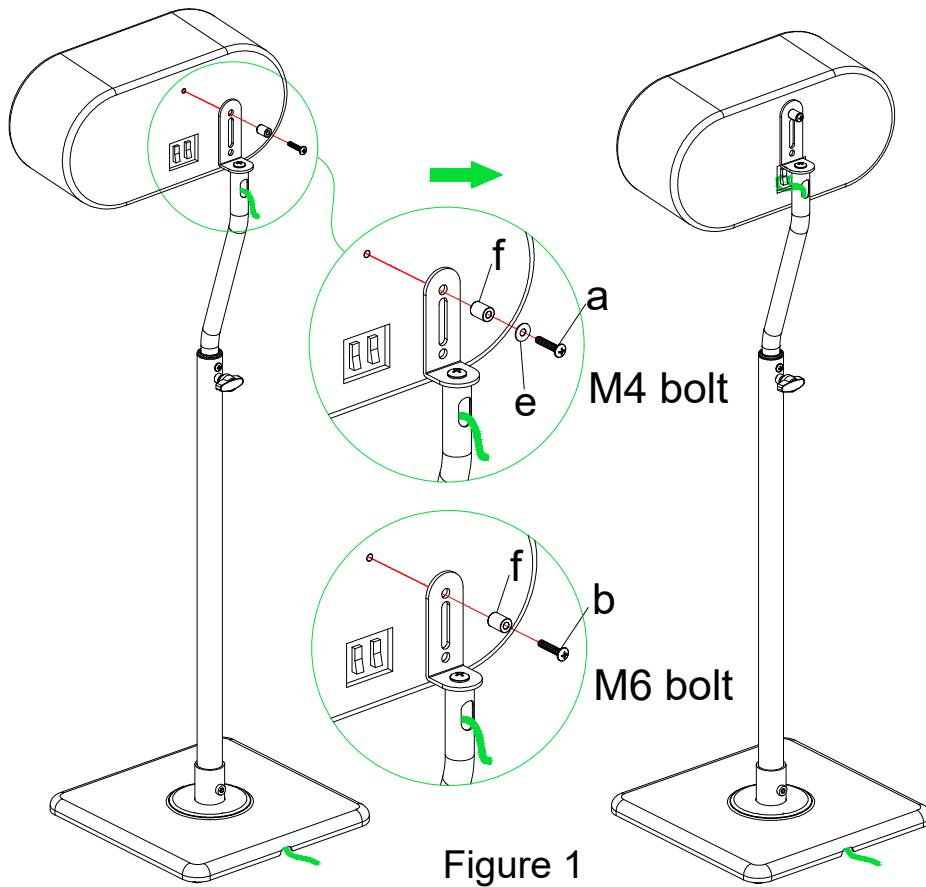
Figure 2

Step 2 Attach speaker to assembled stand

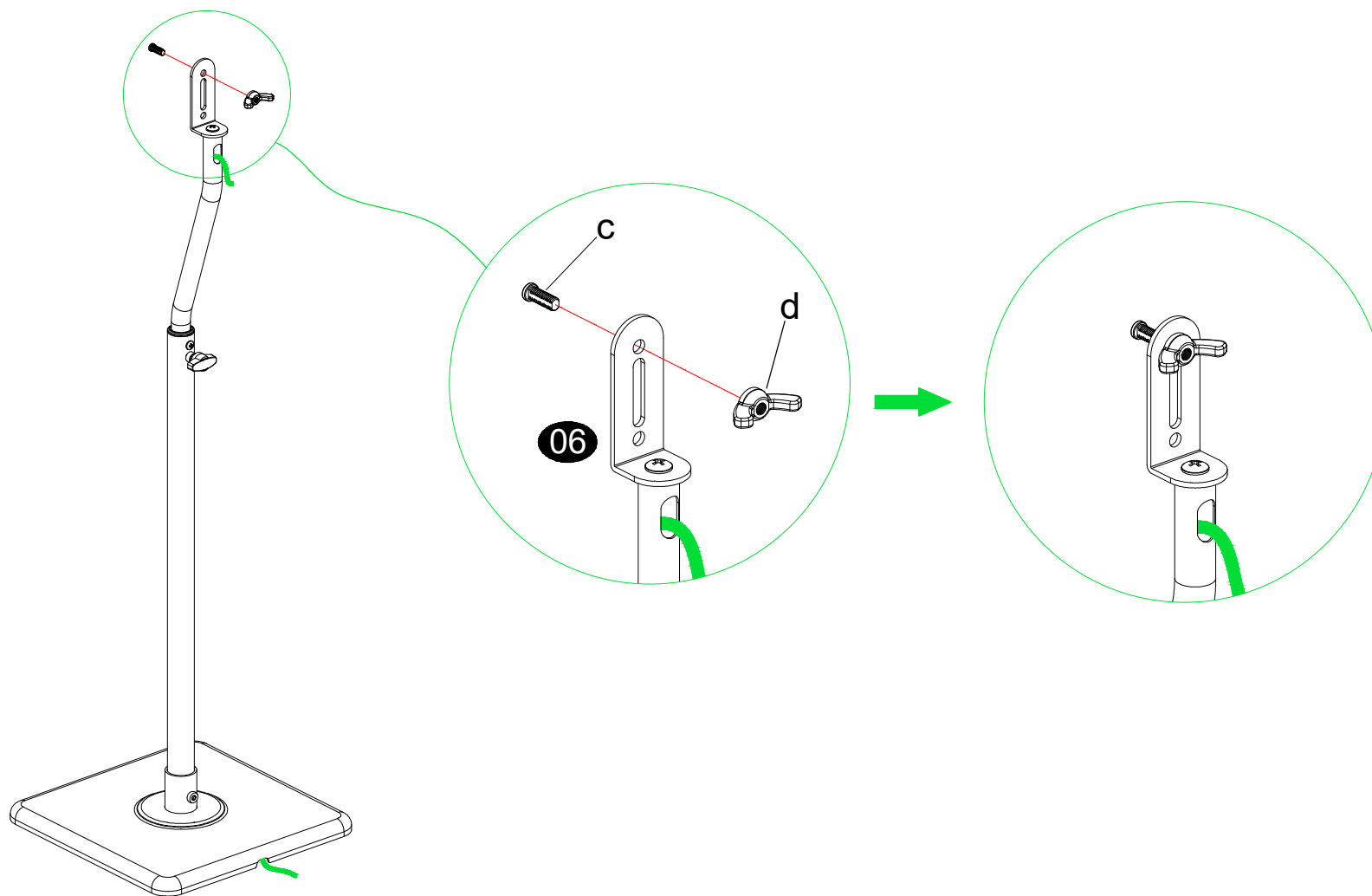
Option 1: According to your speaker's installation hole, choose bolt a/b, washer (e) and spacer (f) (as shown in Figure 1 and 2) to attach it. Then plug the wires.

For screw hole on flat panel: Use bolt (a/b), washer (e) and spacer (f) to attach the speaker. M4 washer (e) is only for M4 bolt (a) installation, while no washer is required for M6 bolt (b) installation.

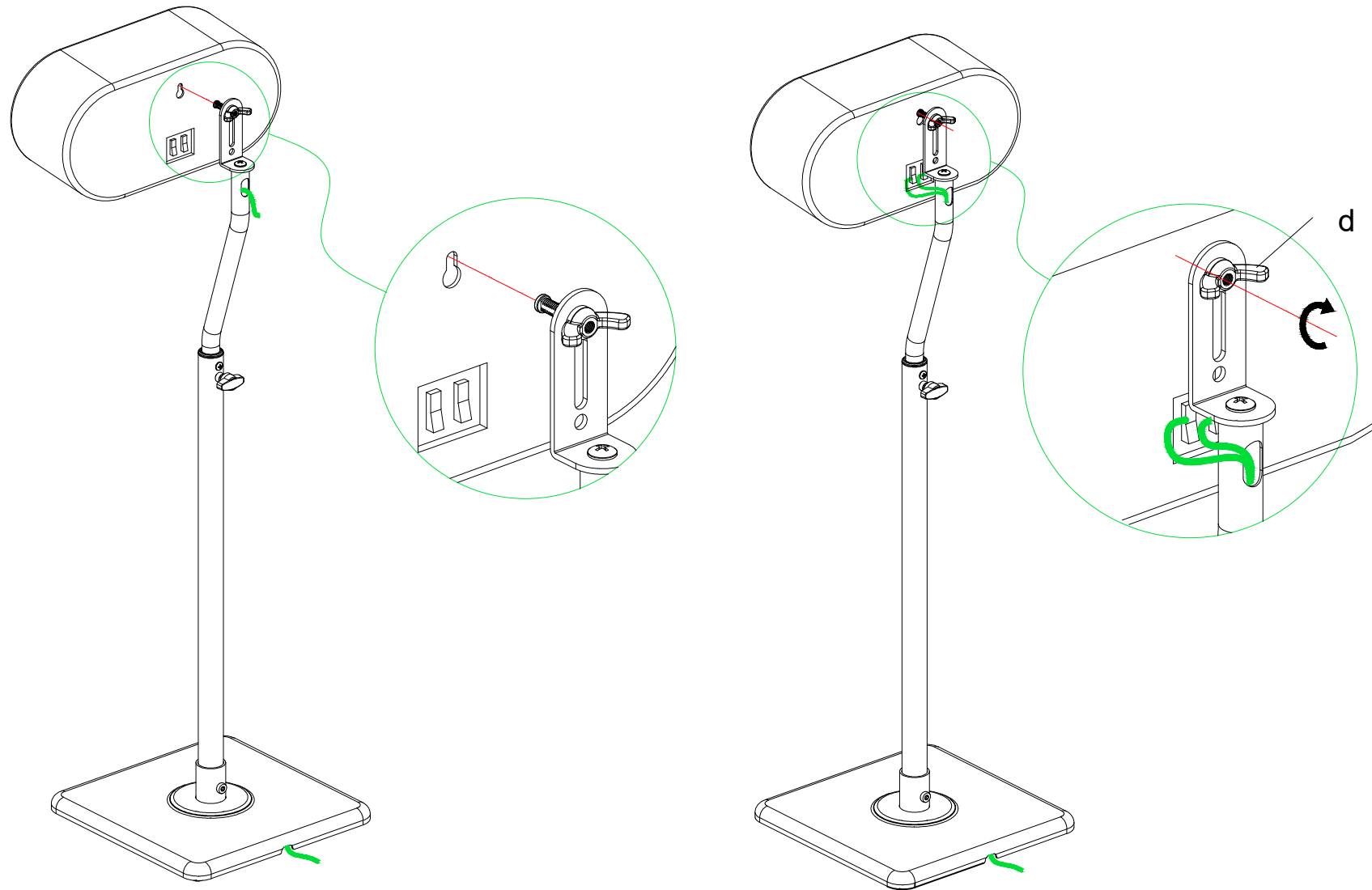
For inset hole: Use bolt (a/b), washer (e) and spacer (f) to attach the speaker. M4 washer (e) is only for M4 bolt (a) installation, while no washer is required for M6 bolt (b) installation.



Option 2: For speaker with a key hole, attach key hole bolt (c) to the speaker attachment unit **06** with butterfly nut (d).



Place speaker on stand with key hole bolt (c) inserted in the key hole, then tighten the butterfly nut (d) and plug the wires.



Step 3 Height Adjustment

Loosen the handle, and adjust the tube 09 to desired height, then tighten the handle.

