

# XML018-1 INSTRUCTION MANUAL

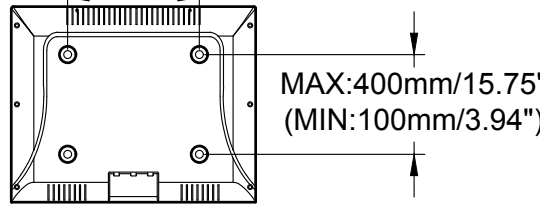
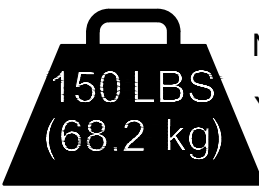
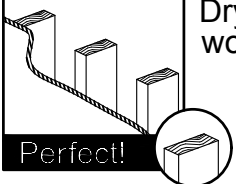
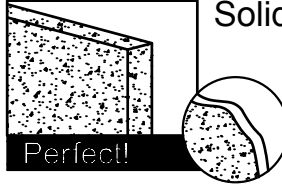
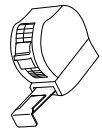
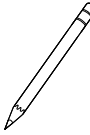
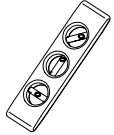
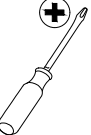






For 32-90" TV

If you have any questions along the way, just give us a call  
1-800-460-0956 or mail to [customerservice@x-mount.com](mailto:customerservice@x-mount.com).

We're ready to help!

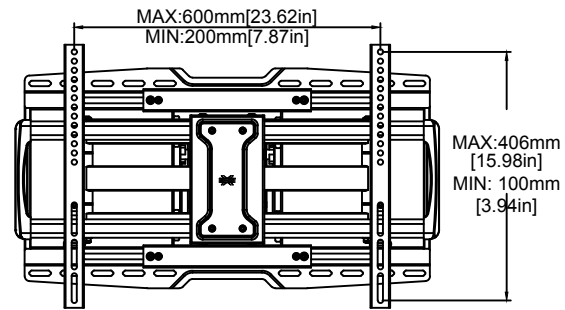
**⚠ CAUTION: PLEASE READ ENTIRE MANUAL PRIOR TO USE AND SAVE THESE INSTRUCTIONS.**

Before getting started, let's check below lists to make sure it is just right for you!

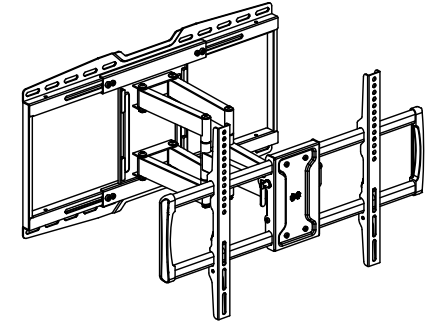
<p>Check your TV VESA is within Min and Max size</p>	<p><b>1</b></p> <p>MAX:600mm/23.62" (MIN:200mm/7.87")</p>  <p>MAX:400mm/15.75" (MIN:100mm/3.94")</p> <p>No? This mount is NOT compatible. Yes? Perfect !</p>
<p>Does your TV (including accessories) weigh MORE than 150 lbs. (68.2 kg)?</p>	<p><b>2</b></p>  <p>150 LBS (68.2 kg)</p> <p>No? Perfect – you may continue. Yes? This mount is NOT compatible.</p> <div style="border: 1px solid black; padding: 5px; margin-top: 10px;"> <p><b>⚠ CAUTION:</b> DO NOT exceed the maximum weight indicated. This mounting system is intended for use only with the maximum weights indicated. Use with products heavier than the maximum weights indicated may result in collapse of the mount and its accessories, causing possible injury.</p> </div>
<p>What is your wall made of?</p>	<p><b>3</b></p> <div style="display: flex; justify-content: space-between;"> <div style="text-align: center;">  <p>Drywall with wood studs? Perfect!</p> </div> <div style="text-align: center;"> <p><b>CAUTION:</b> DO NOT install into drywall alone</p> </div> <div style="text-align: center;">  <p>Solid concrete Perfect!</p> </div> <div style="text-align: center;"> <p><b>?</b> Unsure? Call Customer Service: 1-800-460-0956</p> </div> </div>
<p>Do you have all the tools needed? (NOT INCLUDE)</p>	<p><b>4</b></p> <div style="display: flex; justify-content: space-around; align-items: flex-end;"> <div style="text-align: center;">  <p>Tape Measure</p> </div> <div style="text-align: center;">  <p>Pencil</p> </div> <div style="text-align: center;">  <p>Level</p> </div> <div style="text-align: center;">  <p>Screw driver</p> </div> <div style="text-align: center;">  <p>Electric Drill</p> </div> <div style="text-align: center;">  <p>Socket Wrench 1/2 in. (13 mm)</p> </div> <div style="border-left: 1px solid black; padding-left: 5px; text-align: center;"> <p style="writing-mode: vertical-rl; transform: rotate(180deg);">Wood Stud Install</p>  <p>Stud Finder</p> </div> <div style="text-align: center;">  <p>Wood Drill Bit 7/32 in. (5.5 mm)</p> </div> <div style="border-left: 1px solid black; padding-left: 5px; text-align: center;"> <p style="writing-mode: vertical-rl; transform: rotate(180deg);">Concrete Install</p>  <p>Masonry Drill Bit 3/8 in. (10 mm)</p> </div> <div style="text-align: center;">  <p>Hammer</p> </div> </div>
<p><b>CAUTION</b></p>	<p><b>5</b></p> <ul style="list-style-type: none"> <li>• This product is designed for use in wood stud, solid concrete walls - DO NOT install into drywall alone</li> <li>• The wall must be capable of supporting five times the weight of the TV and mount itself</li> <li>• Do not use this product for any purpose not explicitly specified by manufacturer</li> <li>• Manufacturer is not responsible for damage or injury caused by incorrect assembly or use</li> </ul>

# Dimensions

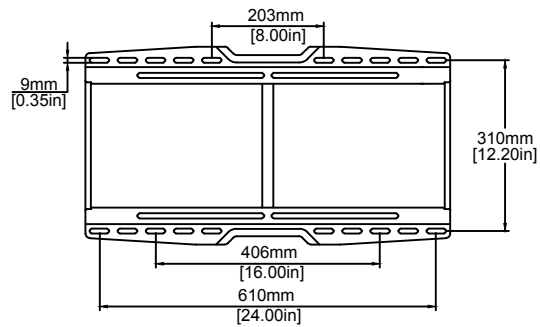
TV INTERFACE



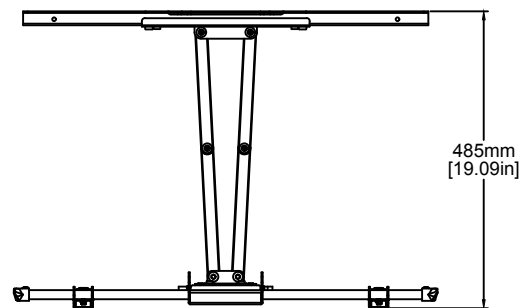
3-D



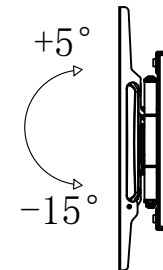
WALL PLATE



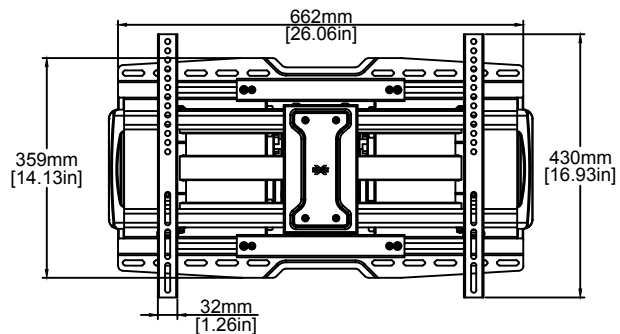
TOP VIEW - EXTENDED



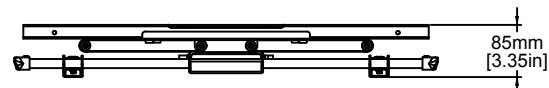
SIDE VIEW - RETRACTED



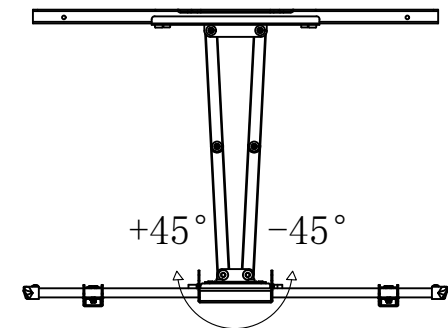
FULLY ASSEMBLED MOUNT



TOP VIEW - RETRACTED



TOP VIEW - EXTENDED



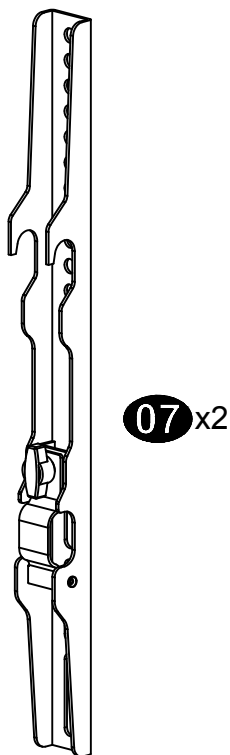
# Parts and Hardware

▲ **WARNING:** This product contains small items that could be a choking hazard if swallowed. Before starting assembly, verify all parts are included and undamaged. If any parts are missing or damaged, do not return the damaged item to your dealer; contact Customer Service.  
Never use damaged parts!

📄 **NOTE:** Not all hardware included will be used.

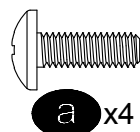
## Parts and Hardware for STEP 1

Brackets

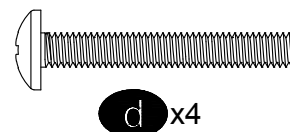


TV Screws

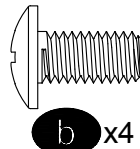
M4x12mm



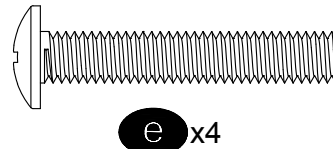
M4x30mm



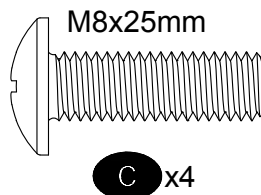
M6x12mm



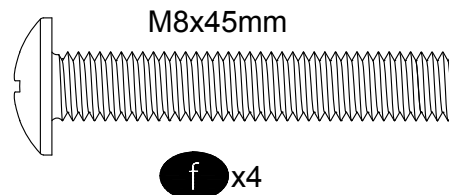
M6x35mm



M8x25mm

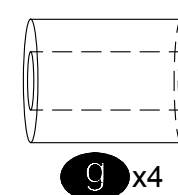


M8x45mm

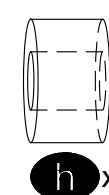


Spacers

M8x22mm



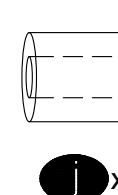
10mm



2.5mm



M6x17mm

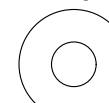


Washers

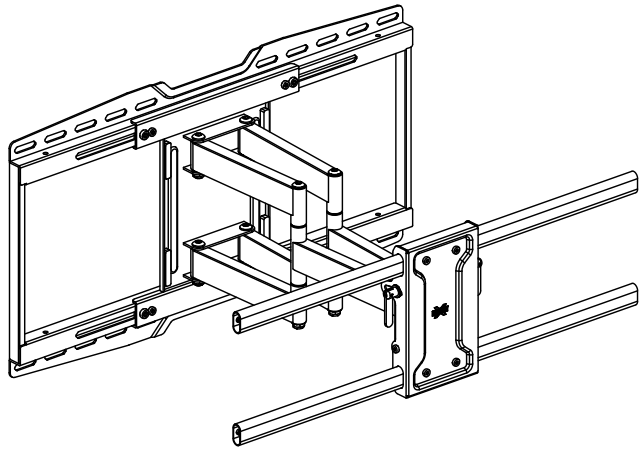
M4



M6



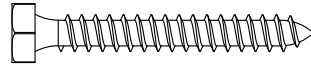
# Parts and Hardware for STEP 2



Wall Plate

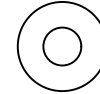
06 x1

Lag Bolt



01 x4

M8 Washer



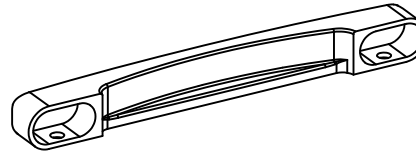
02 x4

Allen Key



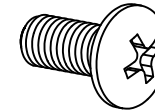
03 x1

End support



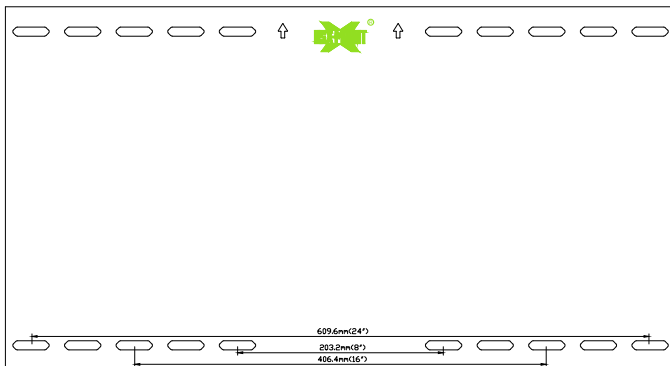
05 x2

M5x10mm Bolt



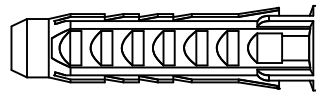
04 x4

Mounting template



Velcro x3

**Concrete wall anchor (NOT INCLUDED)**

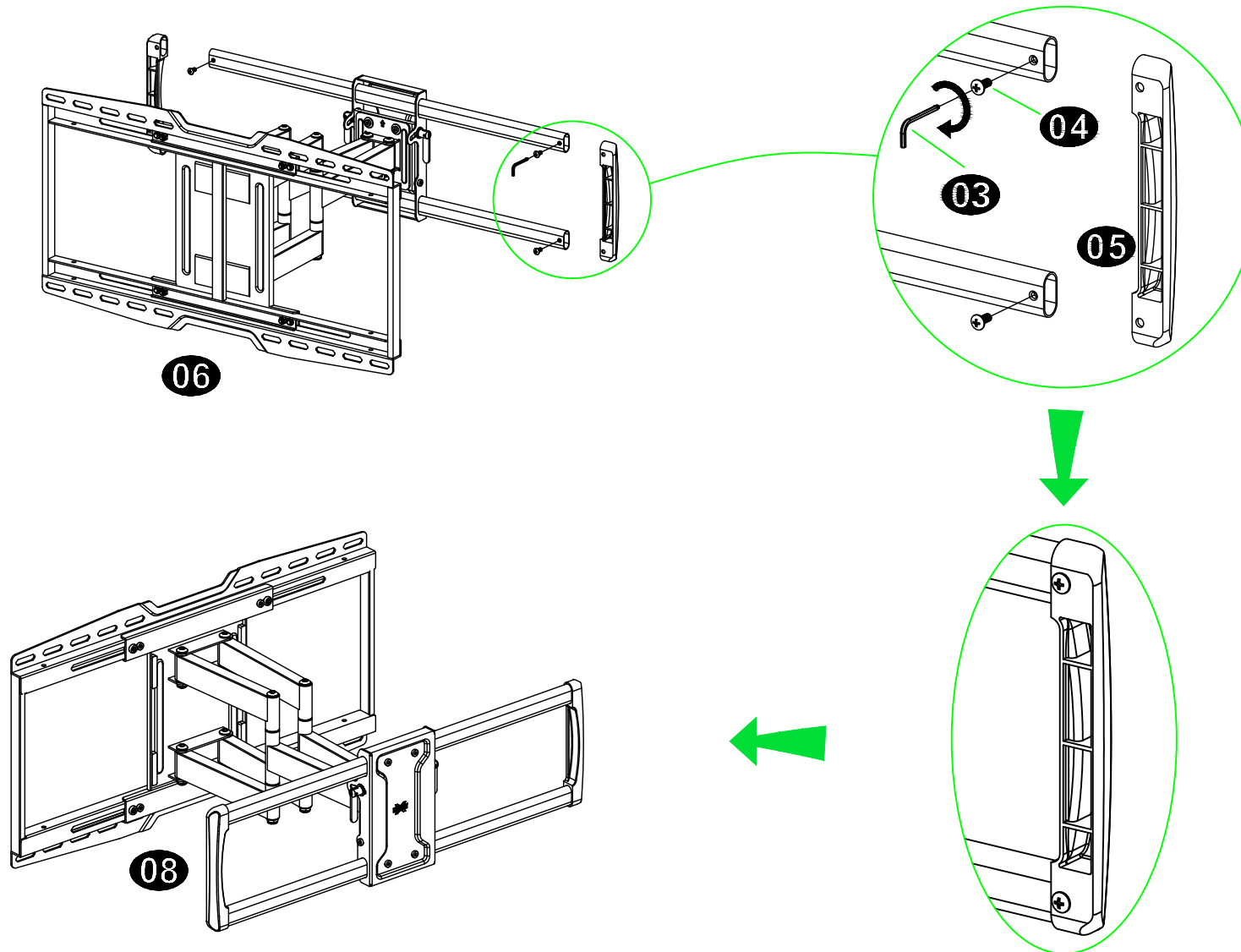


Concrete Wall Anchor  
4pcs

Contact us at telephone 1-800-460-0956 (USA) or mail to customerservice@x-mount.com. to have these additional pieces shipped directly to you.

## Assemble End Supports to Wall Plate

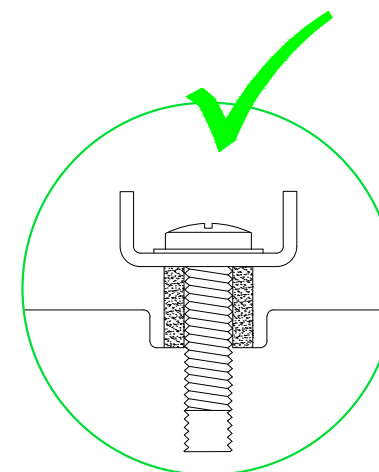
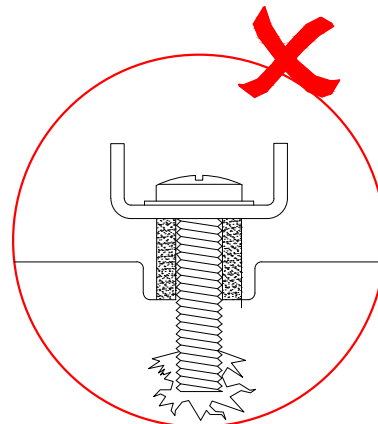
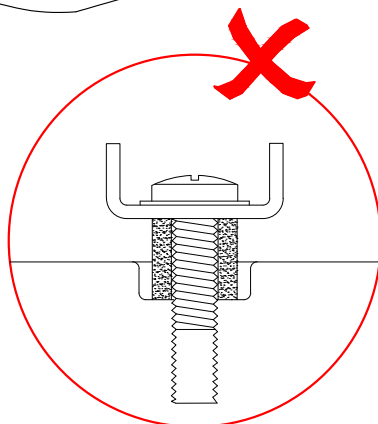
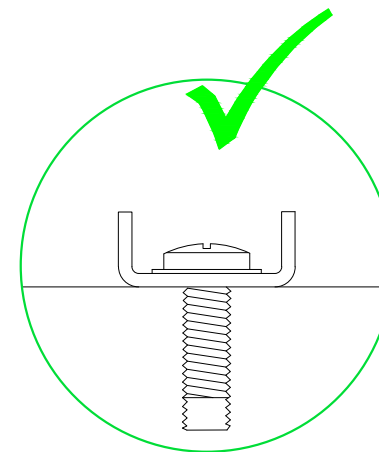
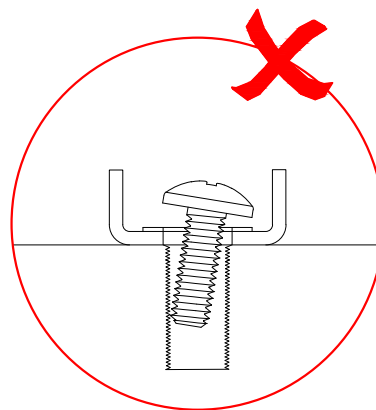
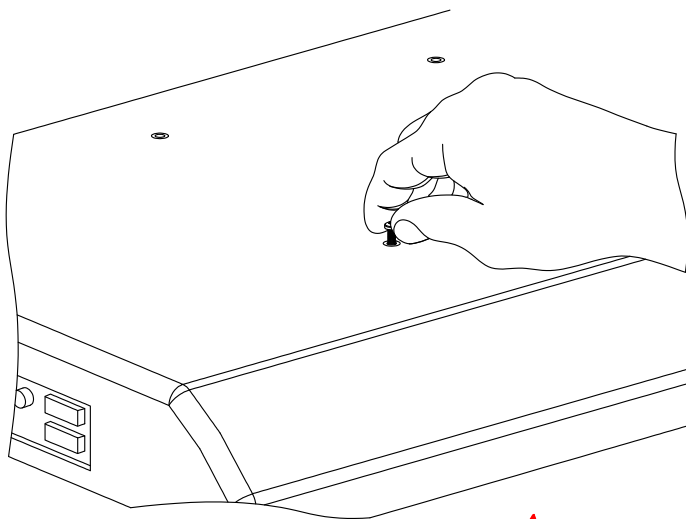
Put the end supports **05** into wall plate **06** by using allen key **03** to fasten bolt **04**.



# STEP 1 Attach Brackets to TV

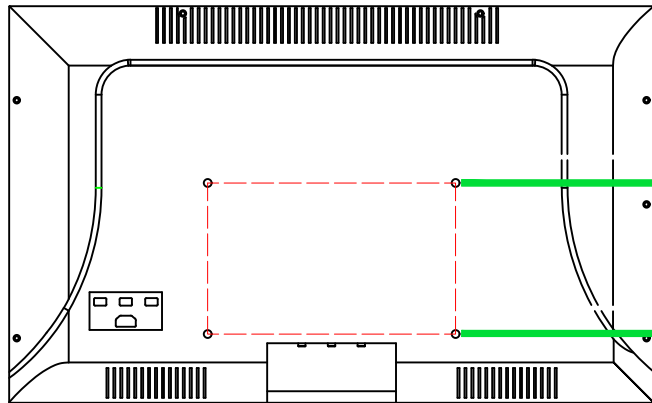
## 1-1 Select TV Screws

M4 M6 M8

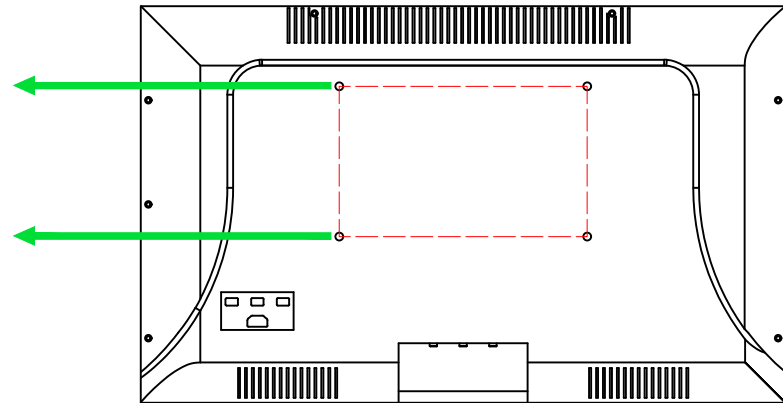


## 1-2 Figure out the suitable position of brackets

### LOW MOUNTING HOLES

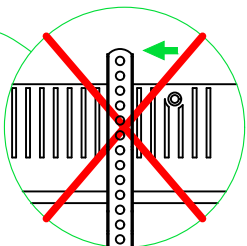
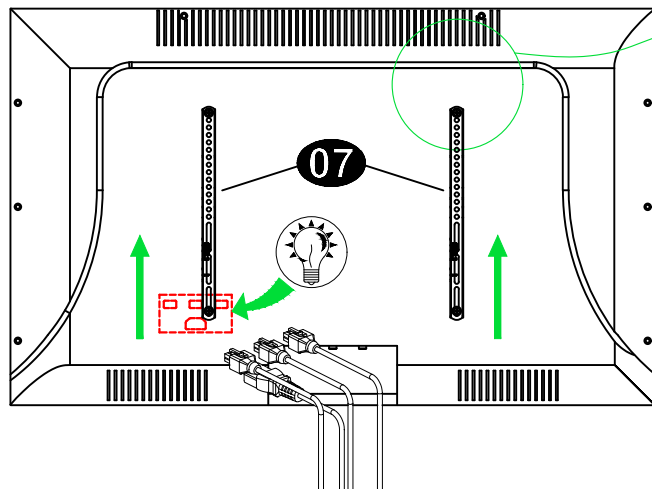


### HIGH MOUNTING HOLES

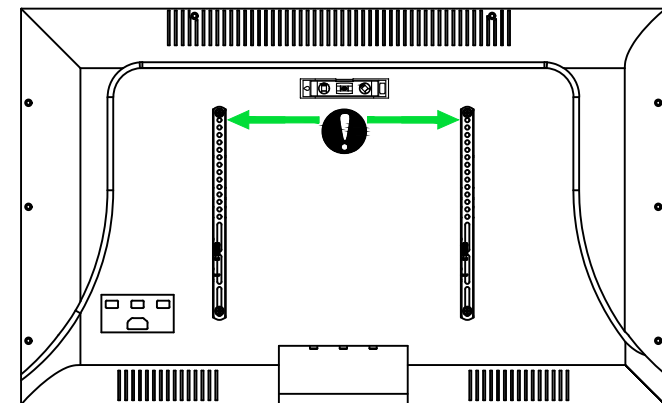


07

 INSTALL UP/DOWN IF NEEDED



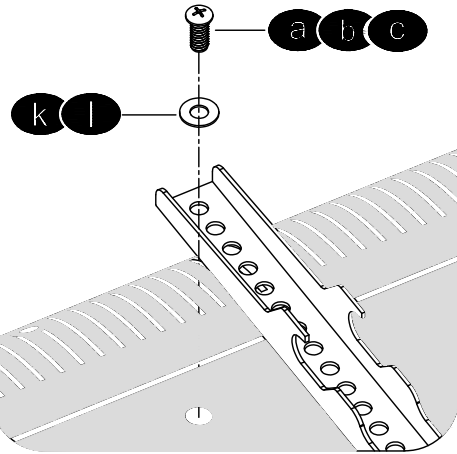
 TV BRACKETS MUST BE LEVEL



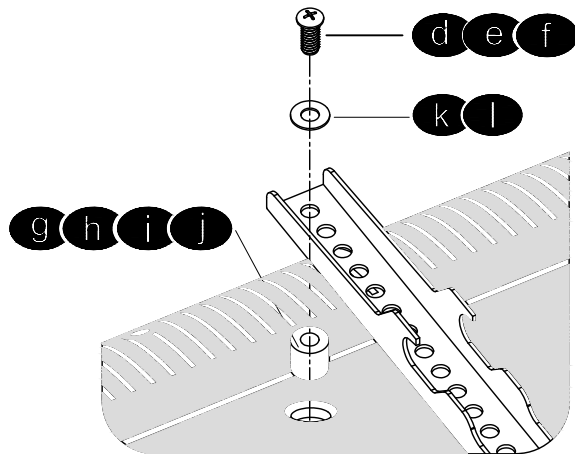


### 1-3 Need Spacer?

**I** No, choose suitable screws and washers.

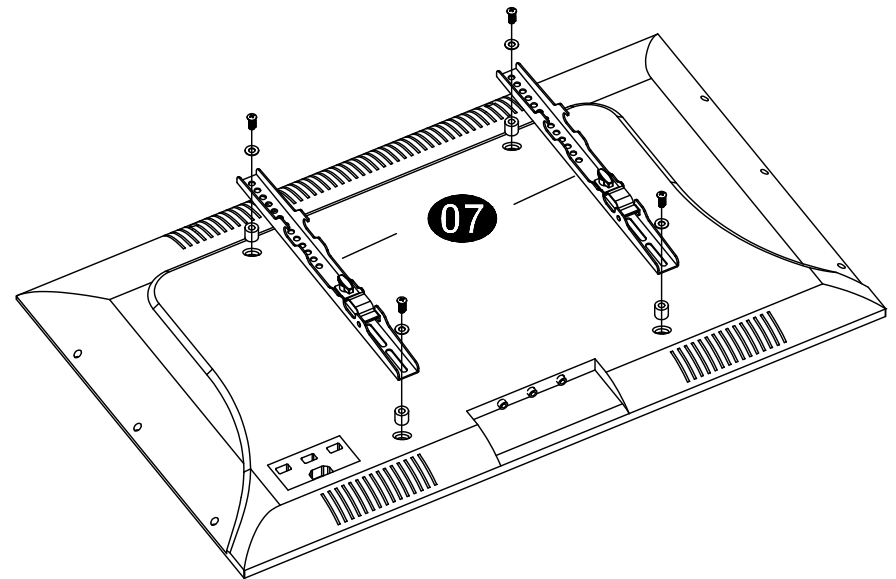
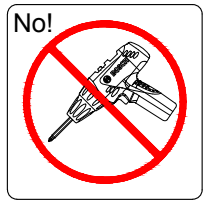


**II** Yes, choose suitable screws, washers and spacers.



Tips: If you need to combine M6/M8(c/e/f) screws with 2.5mm spacers( i ), you have to remove the inner circle.

### 1-4 Attach the TV Plate

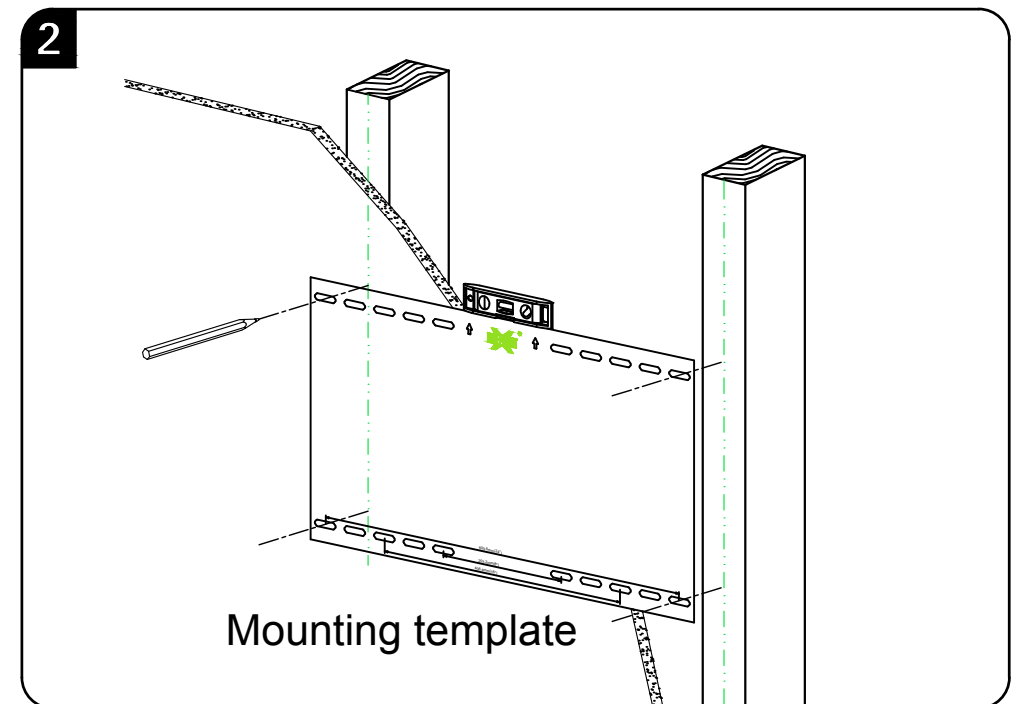
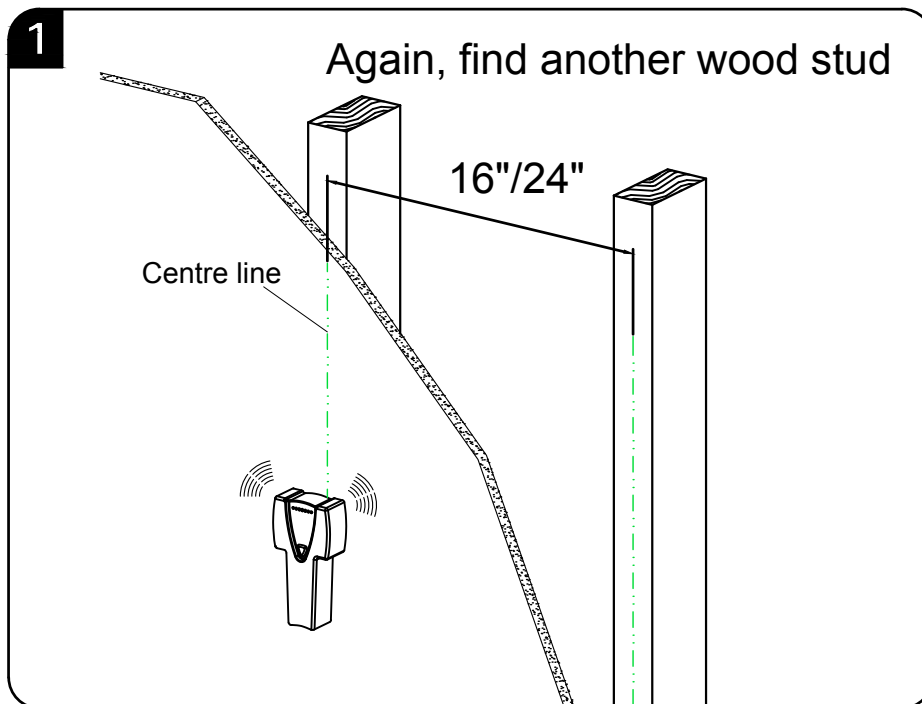


## STEP 2A Attach Wall Plate to Wall Wood Stud Option

**⚠ CAUTION:** Avoid potential personal injury or property damage!

- Drywall covering the wall, must not exceed 5/8 in. (16 mm)
- Minimum **wood stud** size: common 2 x 4 in. (51 x 102 mm) nominal 1½ x 3½ in. (38 x 89 mm)
- Maximum horizontal space between fasteners: 24 in. (609 mm)
- Stud center must be verified

1. Locate your studs. Verify and mark the center of the stud by finding the stud edges using a thin nail, or an edge to edge stud finder.
2. Position the mounting template at your desired height and line up the holes with your stud center line. Level the mounting template and mark the hole locations.



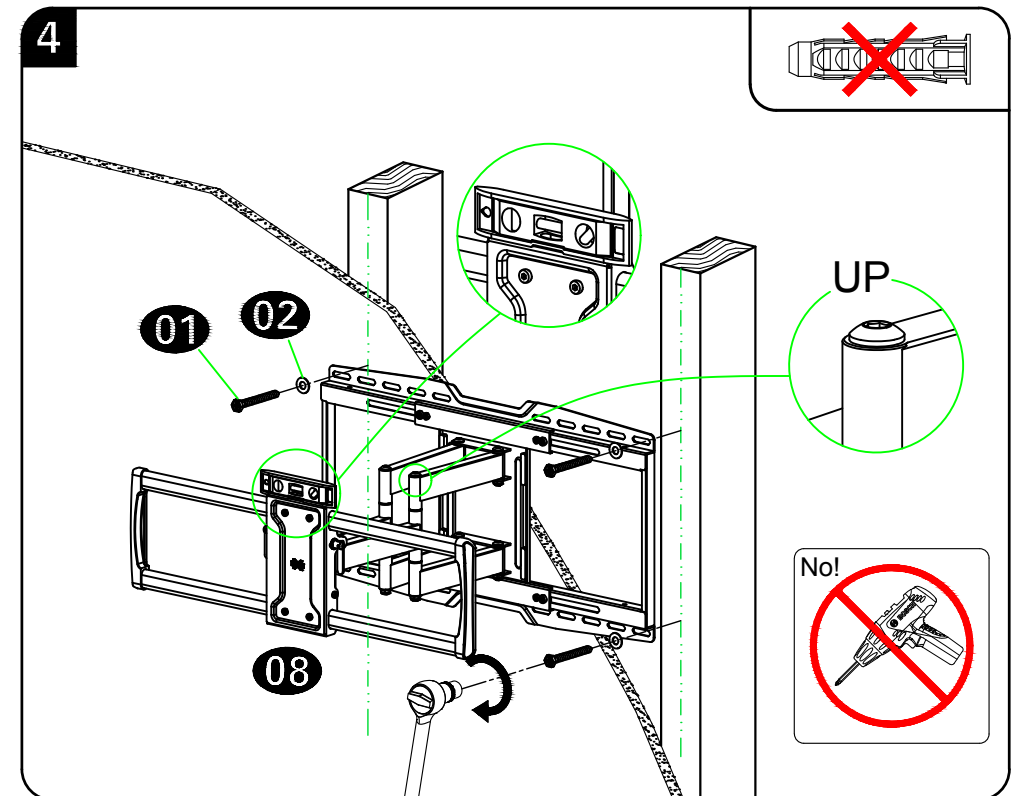
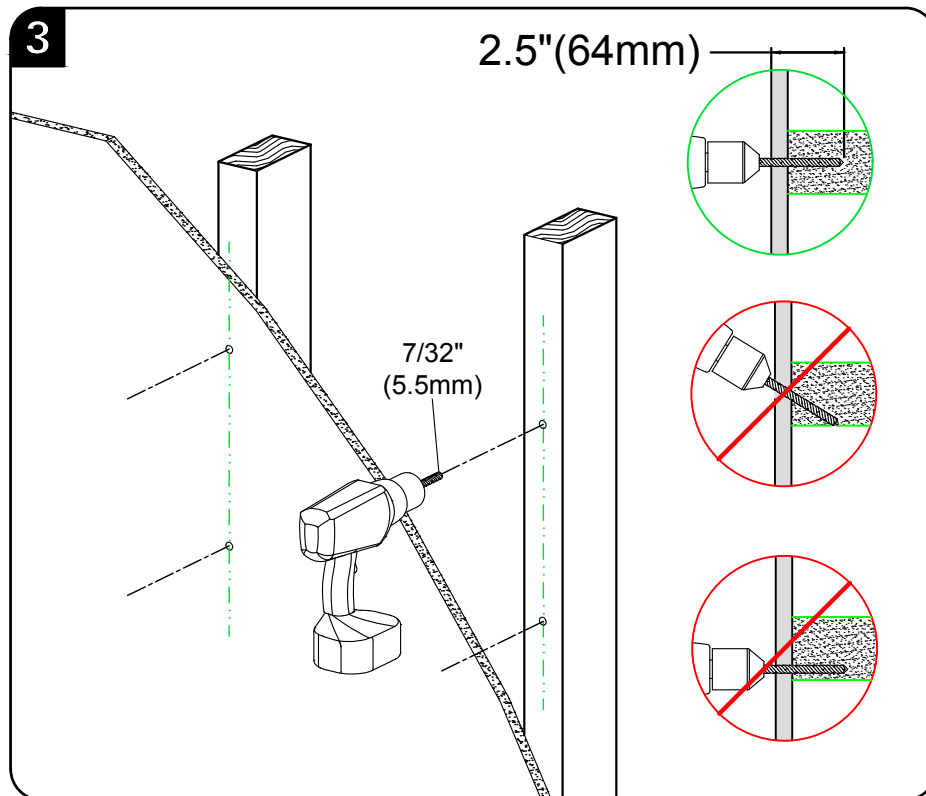
3. Drill pilot holes using a 7/32 in. (5.5 mm) diameter drill bit.

**!** IMPORTANT: Pilot holes must be drilled to a depth of 2.5 in. (64 mm). Be sure to drill into the center of the studs.

4. Install wall plate **08** using lag bolts **01** and washers **02**. Tighten the lag bolts only until they are pulled firmly against the wall plate.

**!** CAUTION: Improper use could reduce the holding power of the lag bolt.  
**DO NOT over-tighten the lag bolts.**

Go to STEP 3 on PAGE 14.



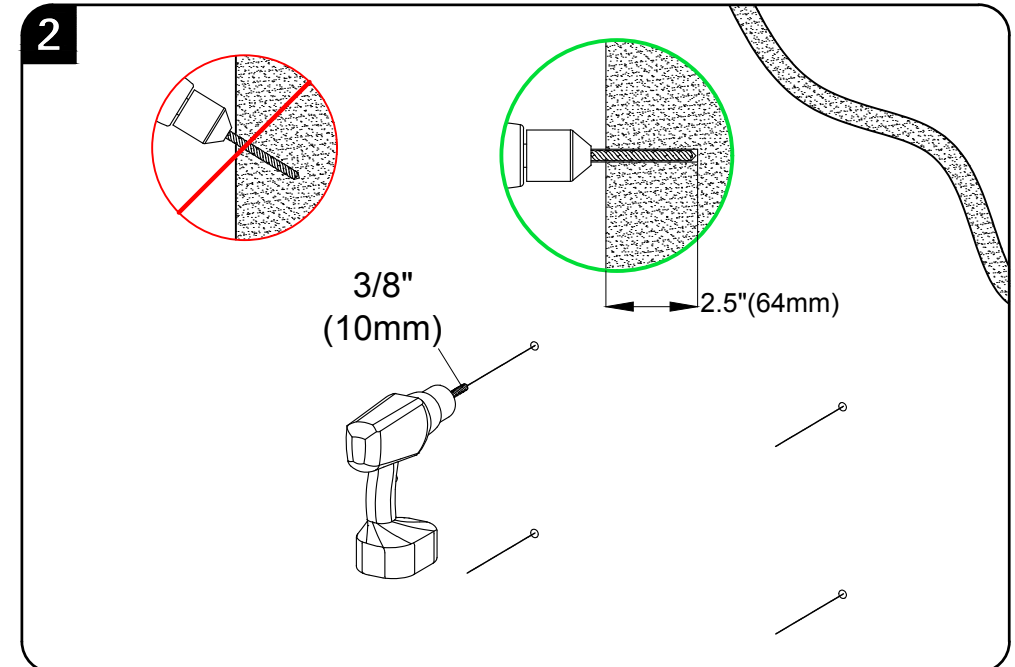
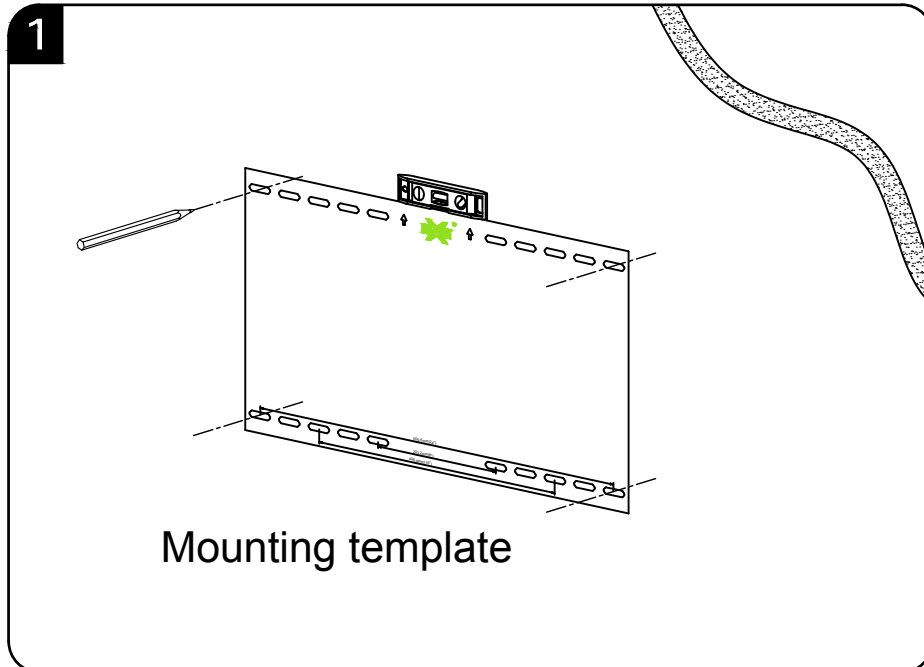
## STEP 2B Attach Wall Plate to Solid Concrete Wall

⚠ **CAUTION:** Avoid potential personal injury or property damage!

- Mount the wall plate assembly unit directly onto the concrete surface
- Minimum **solid concrete** thickness: 8 in. (203 mm)

1. Position the mounting template on the wall at your desired height. Level the mounting template and mark the hole locations.
2. Drill four pilot holes using a 3/8 in. (10 mm) diameter masonry drill bit.

❗ **IMPORTANT:** Pilot holes must be drilled to a depth of 2.5 in. (64 mm).

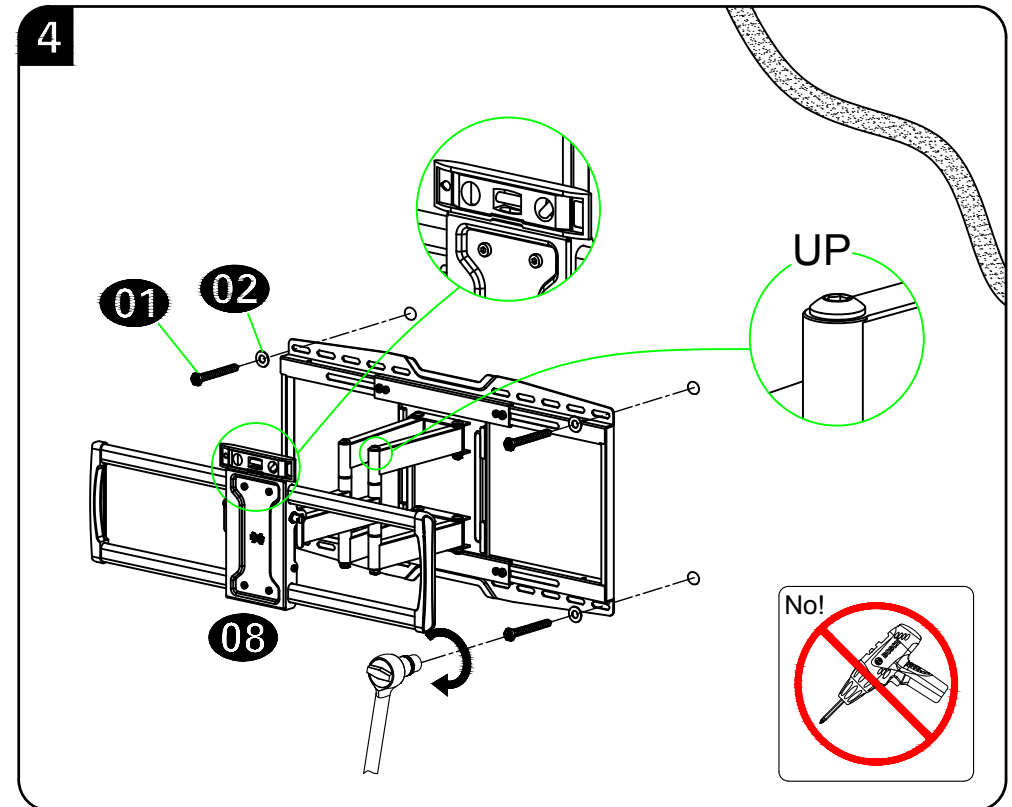
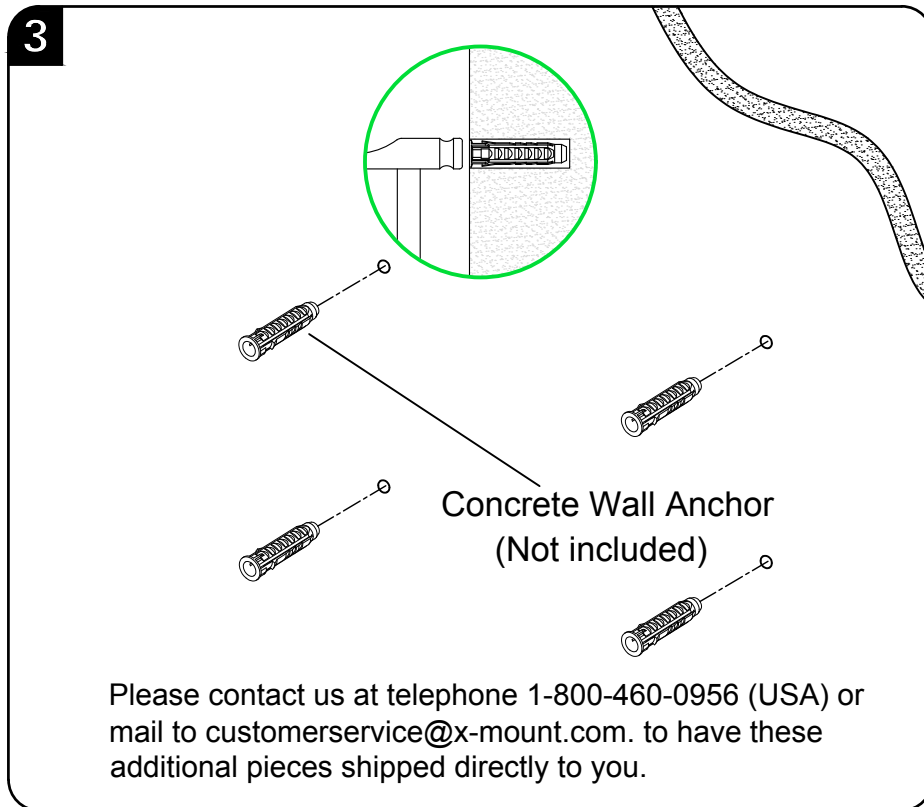


3. Insert four anchors.

▲ CAUTION: Be sure the anchors are seated flush with the concrete surface.

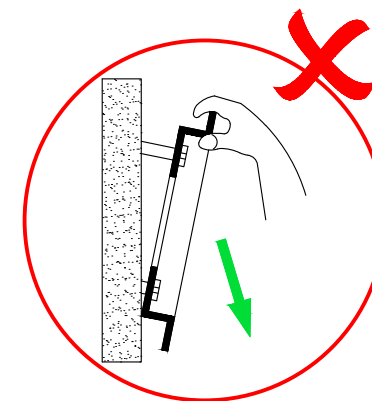
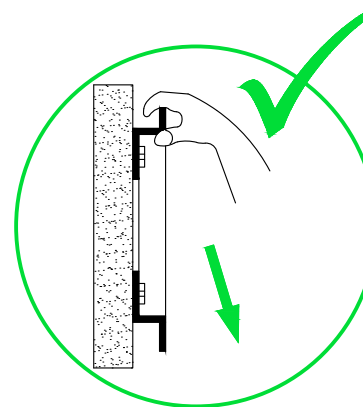
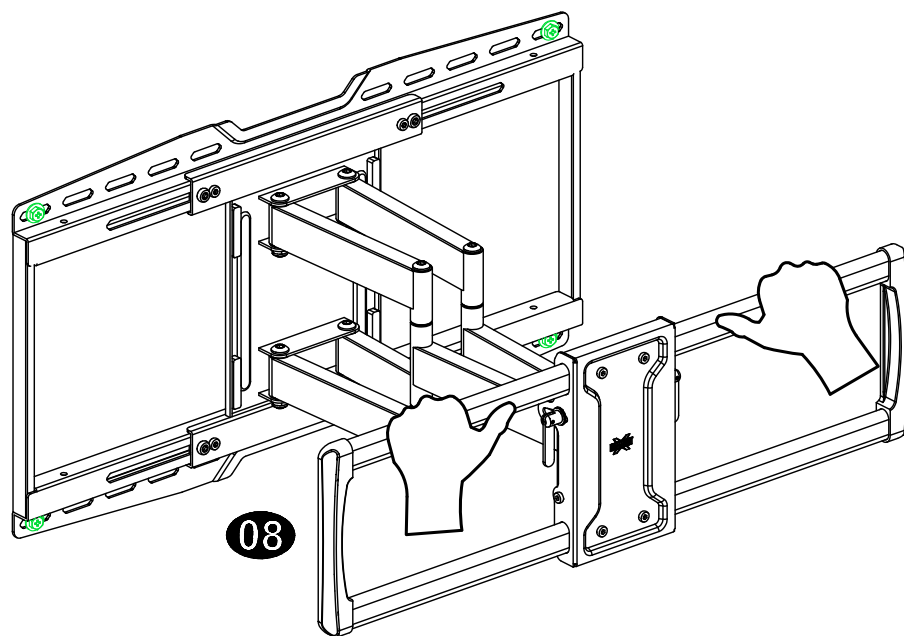
4. Insert wall plate **08** using lag bolts **01** and washers **02**. Tighten the lag bolts only until they are pulled firmly against the wall plate.

▲ CAUTION: Improper use could reduce the holding power of the lag bolt.  
**DO NOT over-tighten the lag bolts.**



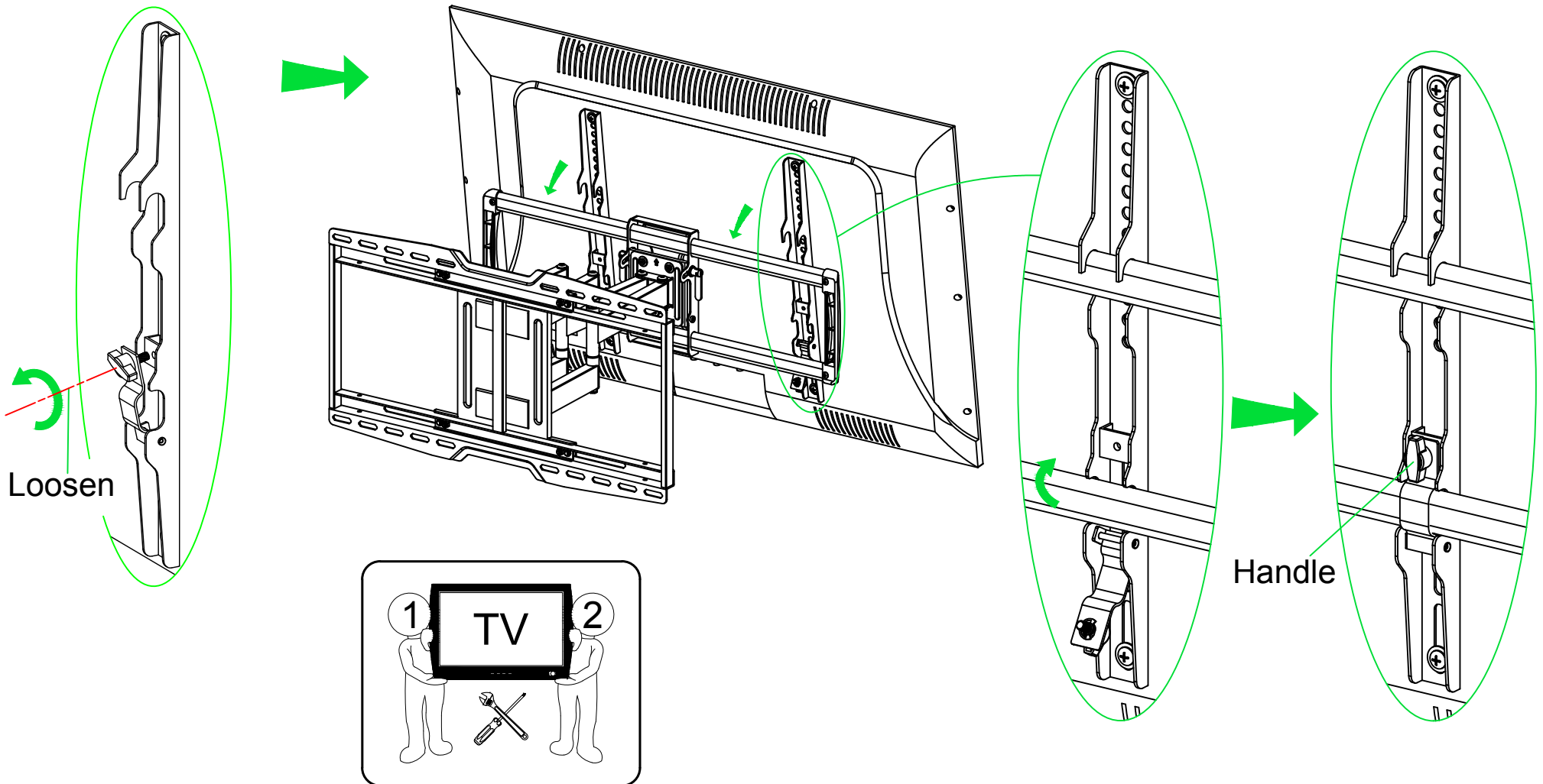
## STEP 3 Wall Plate Installation Integrity Test

Before hanging TV, please try to pull the mount to make sure that it has been assembled on the wall tightly.



# STEP 4 Hang and Secure TV to Wall Plate

Loosen the handles of brackets, hang and secure TV to wall plate. Fasten the handle after secure TV.

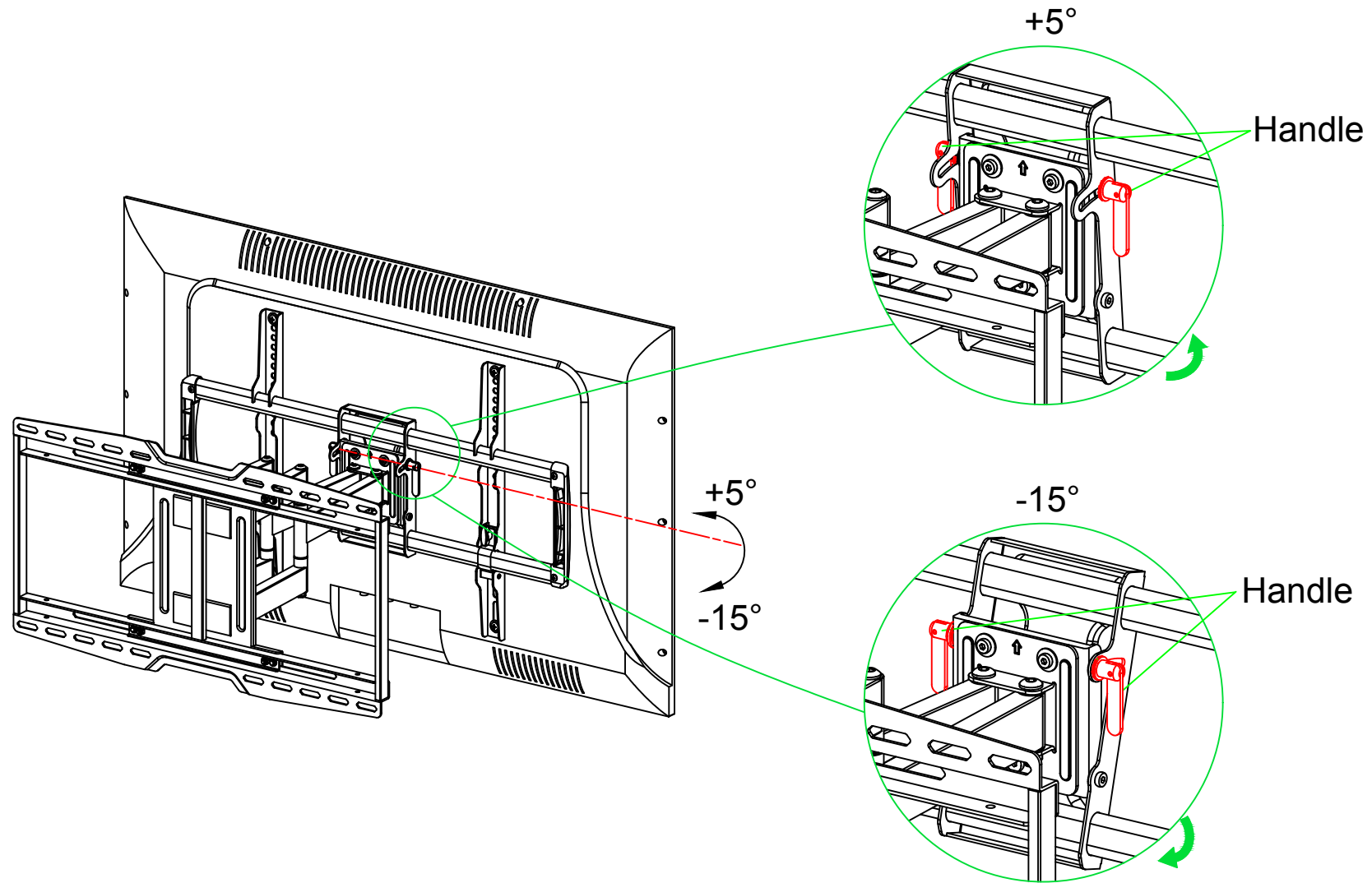






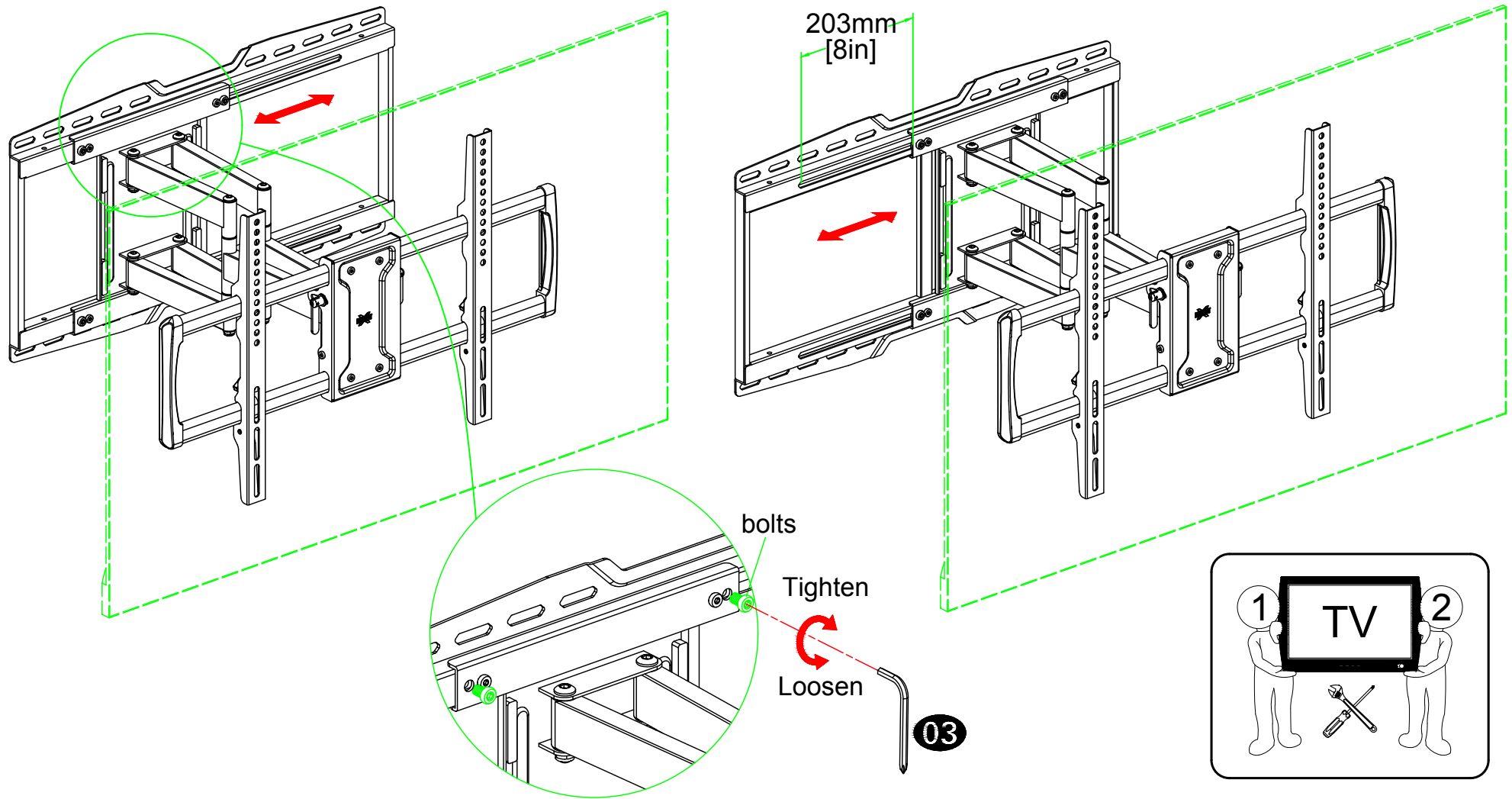
### 5-2 Tilting angle adjustment (+5°/-15°):

Loosen 2 handles (as below shown) at the same time to tilt TV to your desired angle and fasten fully after finished.



### 5-3 TV side to side movement 8":

Loosen four bolts by maximum 2 turns and need two people cooperation to lift the assembly unit (TV + TV plate + arms) at the same time slide it left or right along the rail of the wall plate to perfectly position the TV. Then tighten the bolts after adjustment.



## 5-4 Cables manage:

Manage TV cables orderly and guide them through the velcros.

