

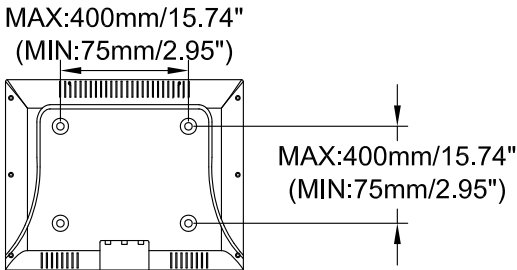

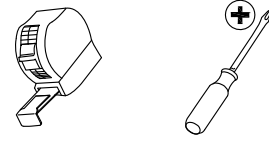
XAS306-1 INSTRUCTION MANUAL

For 26-55" TV

If you have any questions along the way, just give us a call
1-800-460-0956 or mail to customerservice@x-mount.com.

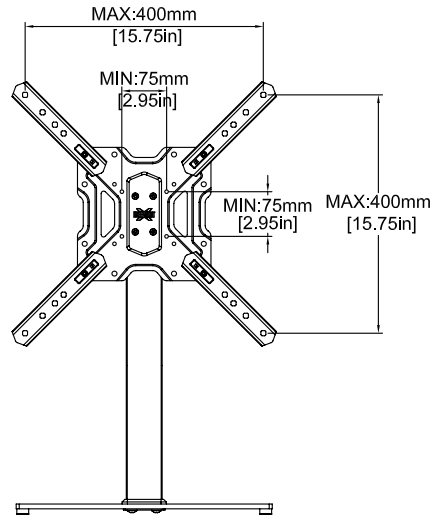
We're ready to help!

Before getting started, let's check below lists to make sure it is just right for you!

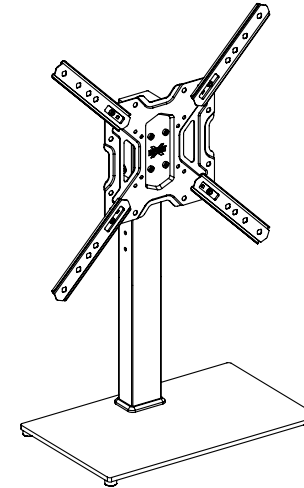
<p>Check your TV VESA is within Min and Max size</p>	<p>1</p>  <p>MAX:400mm/15.74" (MIN:75mm/2.95")</p> <p>MAX:400mm/15.74" (MIN:75mm/2.95")</p> <p>No? This mount is NOT compatible. Yes? Perfect !</p>
<p>Does your TV (including accessories) weigh MORE than 66 lbs. (30 kg)?</p>	<p>2</p>  <p>Max: 66LBS (30KG)</p> <p>No? Perfect – you may continue. Yes? This mount is NOT compatible.</p> <div style="border: 1px solid black; padding: 5px; margin-top: 10px;"> <p>CAUTION: DO NOT exceed the maximum weight indicated. This mounting system is intended for use only with the maximum weights indicated. Use with products heavier than the maximum weights indicated may result in collapse of the mount and its accessories, causing possible injury.</p> </div>
<p>Do you have all the tools needed? (NOT INCLUDE)</p>	<p>3</p>  <p>Tape Measure Screw driver</p> <p>Please read this instruction carefully before installation. If you do not understand these instructions or have doubts about the safety of the installation, assembly or use of this product, please feel free to contact Customer Service:</p> <div style="border: 1px solid black; padding: 5px; margin-top: 10px;"> <p>E-mail: customerservice@x-mount.com Phone call: 1-800-460-0956</p> </div>
<p>CAUTION</p>	<p>4</p> <ul style="list-style-type: none"> • Do not use this product for any purpose not explicitly specified by manufacturer • Manufacturer is not responsible for damage or injury caused by incorrect assembly or use

Dimensions

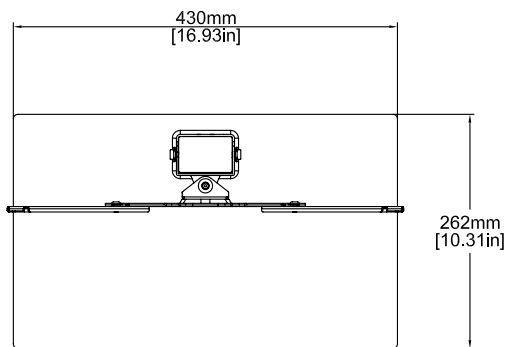
TV INTERFACE



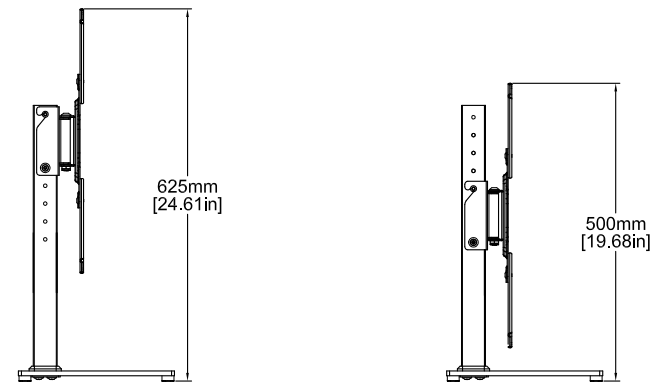
3D



TOP VIEW-RETRACTED



SIDE VIEW - RETRACTED



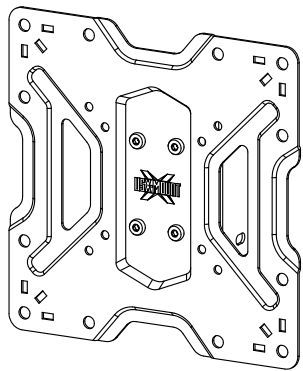
Parts and Hardware

⚠ WARNING: This product contains small items that could be a choking hazard if swallowed. Before starting assembly, verify all parts are included and undamaged. If any parts are missing or damaged, do not return the damaged item to your dealer; contact Customer Service.
Never use damaged parts!

📄 NOTE: Not all hardware included will be used.

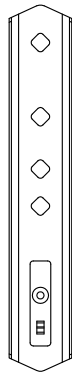
Hardware for extended arms assembly

TV Plate



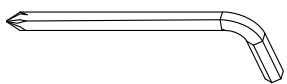
01 x1

Extended Arms



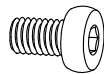
02 x4

Allen Key



03 x1

M6x8mm Bolt

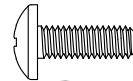


04 x4

Hardware for TV assembly

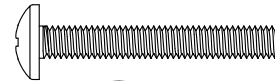
TV Screws

M4x12mm



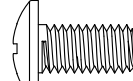
a x4

M4x30mm



d x4

M6x12mm



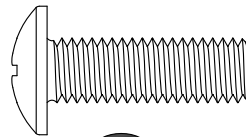
b x4

M6x35mm



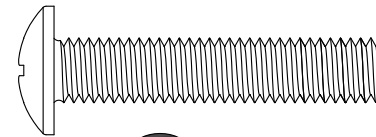
e x4

M8x25mm



c x4

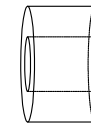
M8x45mm



f x4

Spacers

10mm



g x4

2.5mm



h x8

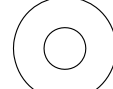
Washers

M4



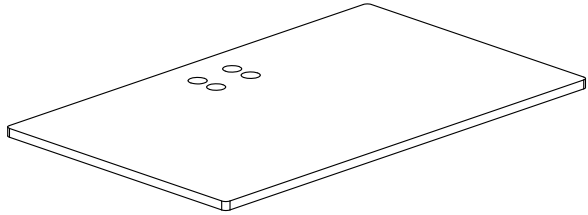
i x4

M6



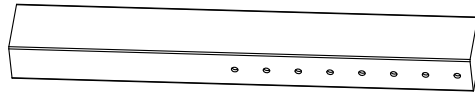
j x4

Hardware for Products Assembly



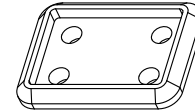
Glass Base

05 x1



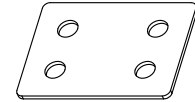
Column

06 x1



Plastic Sleeve

07 x1



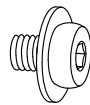
Iron Sheet

08 x1



M6x10mm
Bolt

09 x2



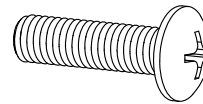
M6x10mm
Bolt

10 x2



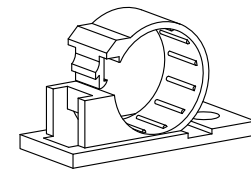
Washer

11 x2



M8x30mm
Bolt

12 x4



Cable Clips

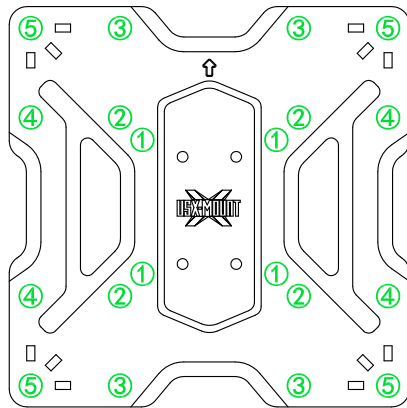
13 x3

STEP 1 Attach TV Plate to TV

1-1 Choose correct configuration per your TV VESA size (hole pattern on TV back)

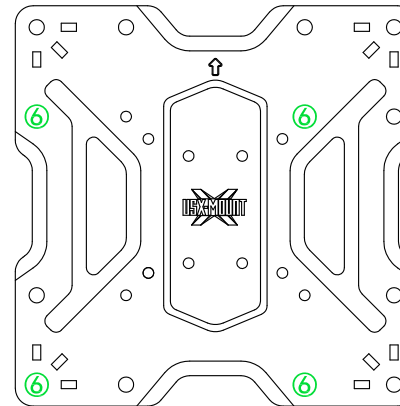
If your TV VESA size is above 200*200mm, you need to assemble extended arms **02** onto plate **01** using bolts **04** and Alley key **03** per below option 3 - option 6 shown.

Option 1



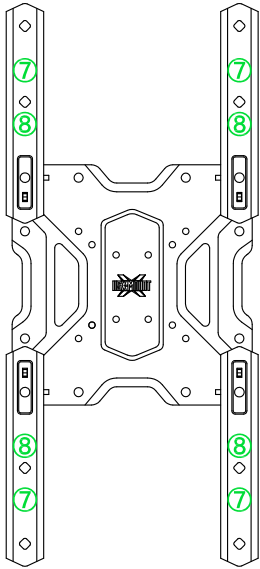
- ① 75X75
- ② 100X100
- ③ 100X200
- ④ 200X100
- ⑤ 200X200

Option 2



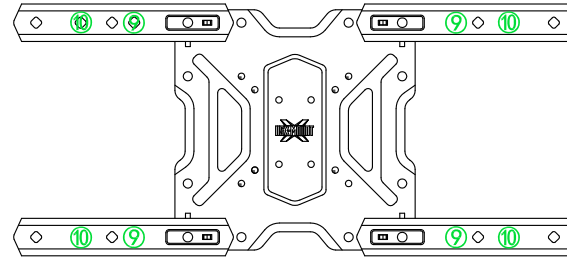
- ⑥ 150X150

Option 3



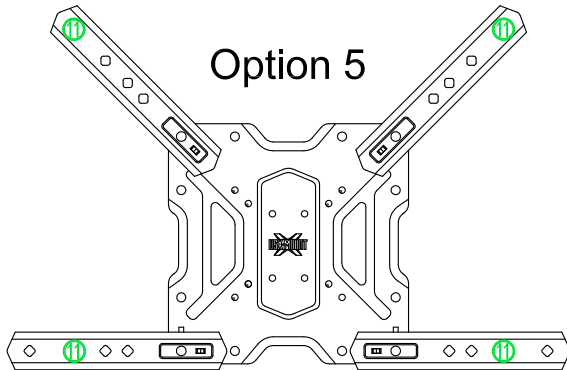
- ⑦ 200X400
- ⑧ 200X300

Option 4



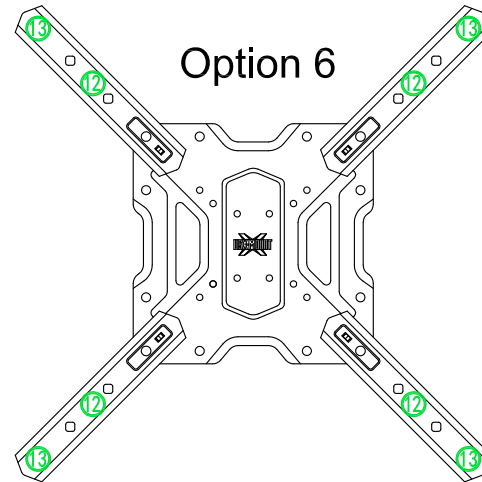
- ⑨ 300X200
- ⑩ 400X200

Option 5



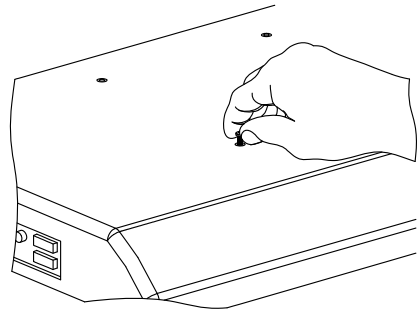
- ⑪ 400X300

Option 6

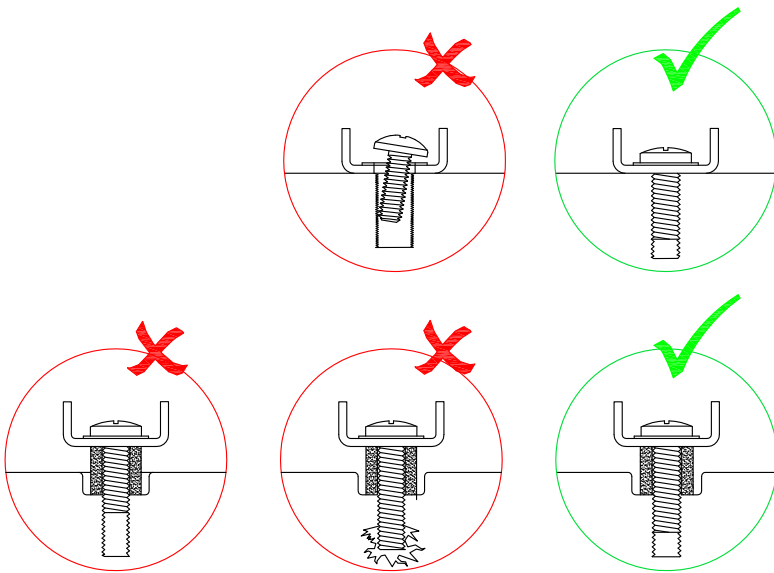


- ⑫ 300X300
- ⑬ 400X400

1-2 Select TV Screws

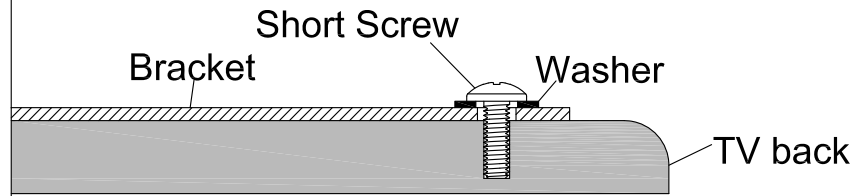


M4 M6 M8

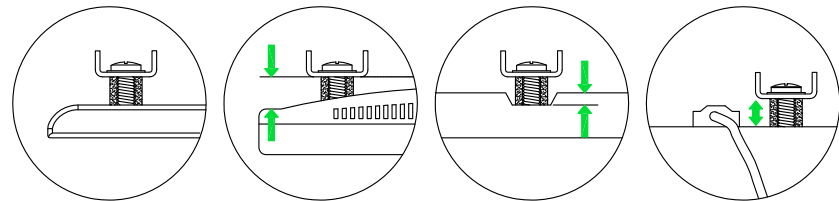
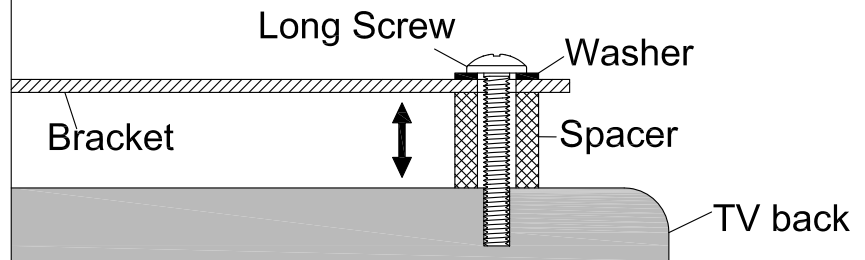


1-3 Need Spacer?

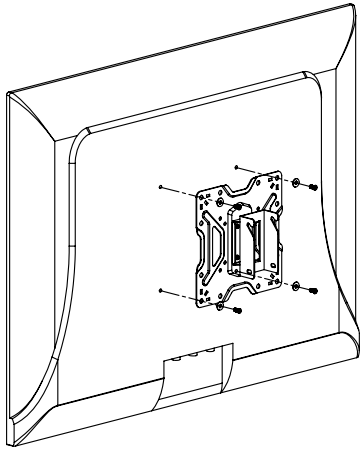
I No, go to PAGE 9 **I** for detailed combination.



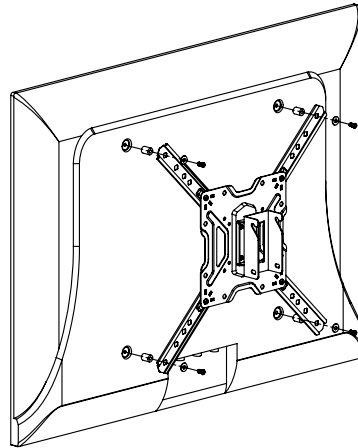
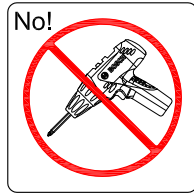
II Yes, go to PAGE 9 **II** for detailed combination.



1-4 Attach the TV Plate onto TV back Using Correct Bolts and Spacers

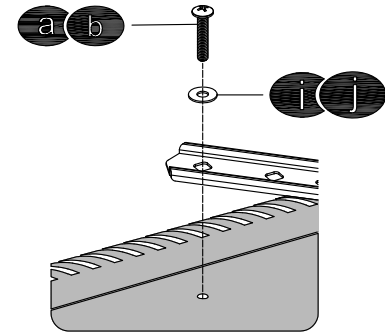


VESA ≤ 200X200mm

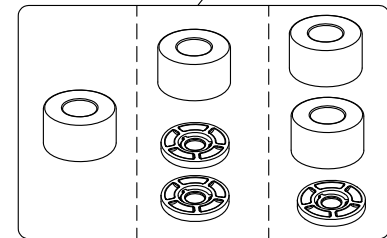
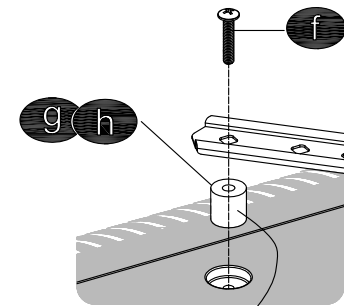
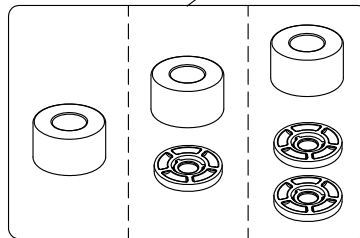
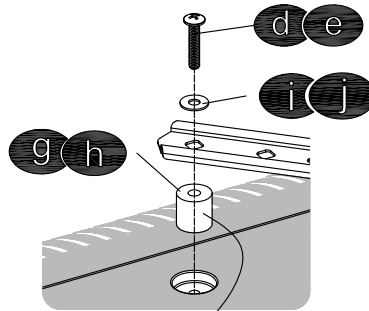
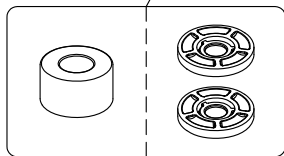
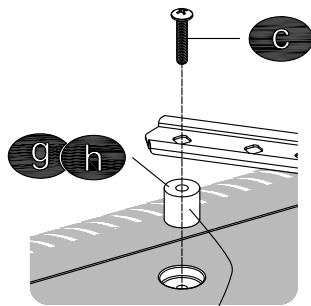


200X200mm < VESA ≤ 400X400mm

I Screw(s) and washer(s)

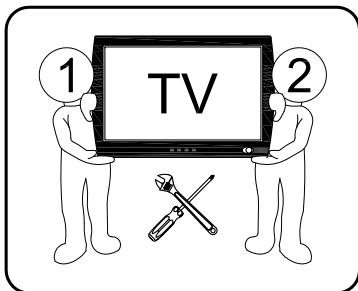
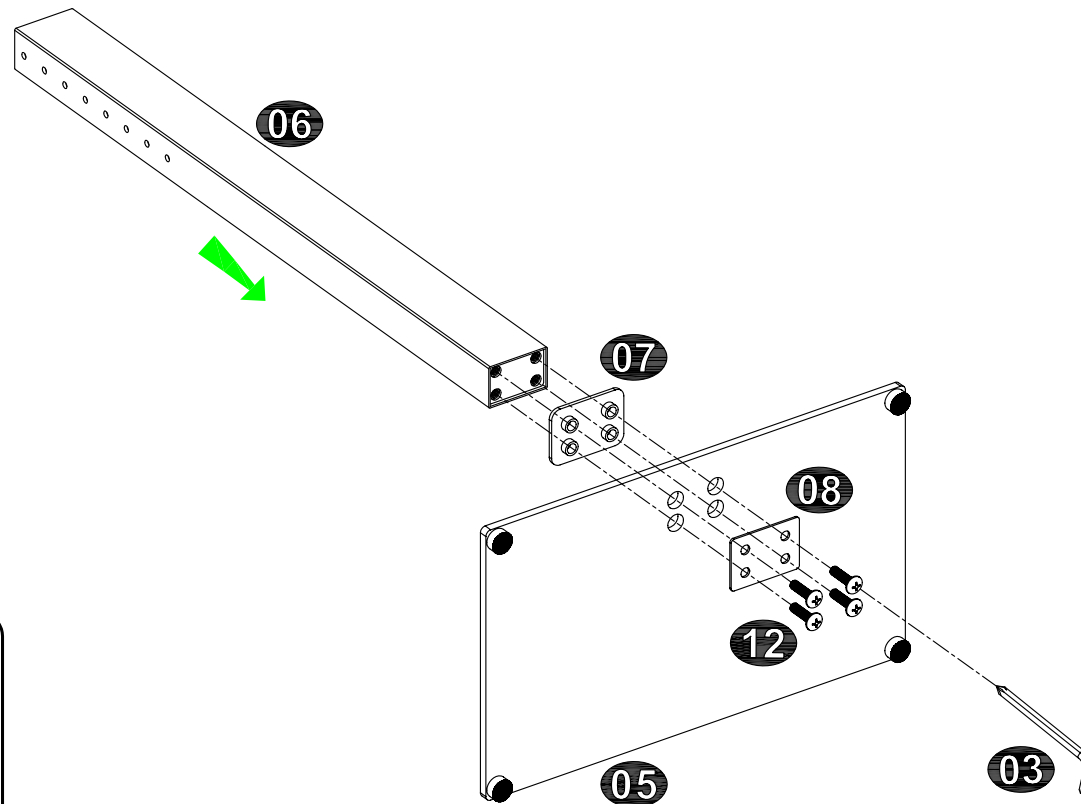


II Spacer(s), screw(s) and washer(s)



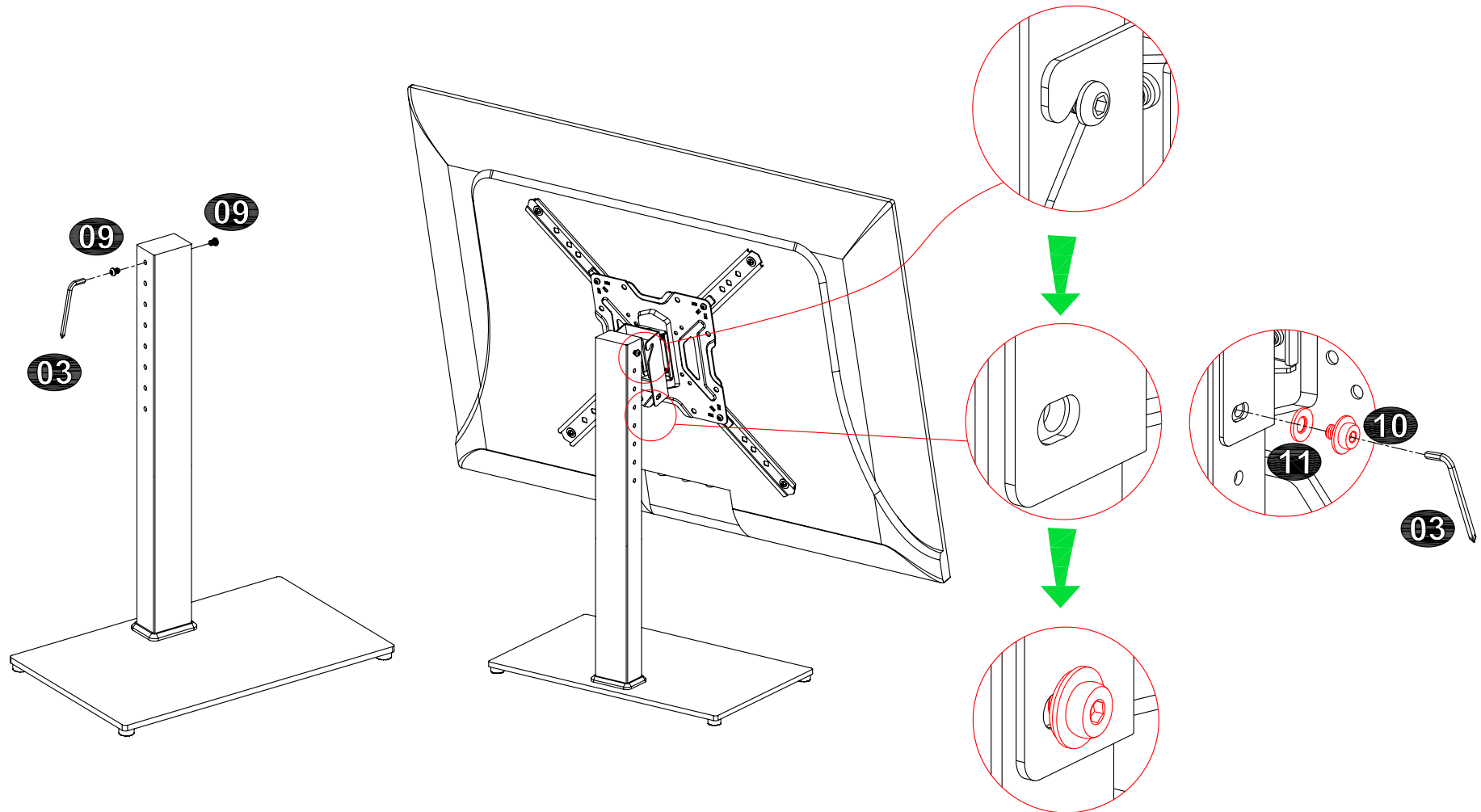
STEP 2 Column Installation

Assemble the column **06** on the glass base **05** through iron sheet **08** and plastic sleeve **07** with screw **12**.



STEP 3 Hang and Secure Pre-assembled TV Unit onto the Column

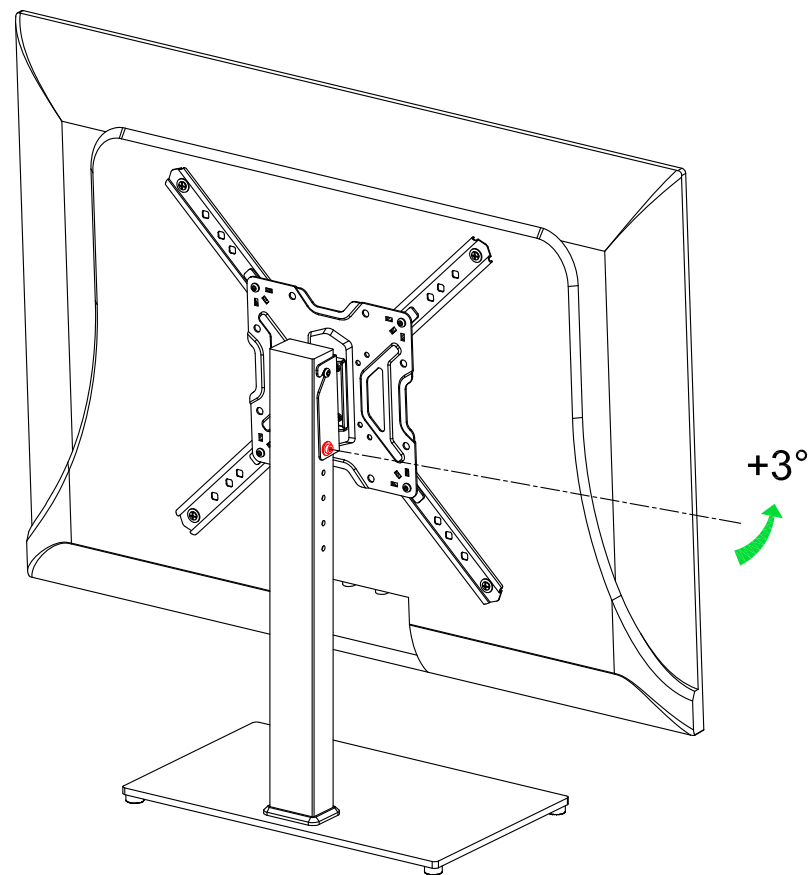
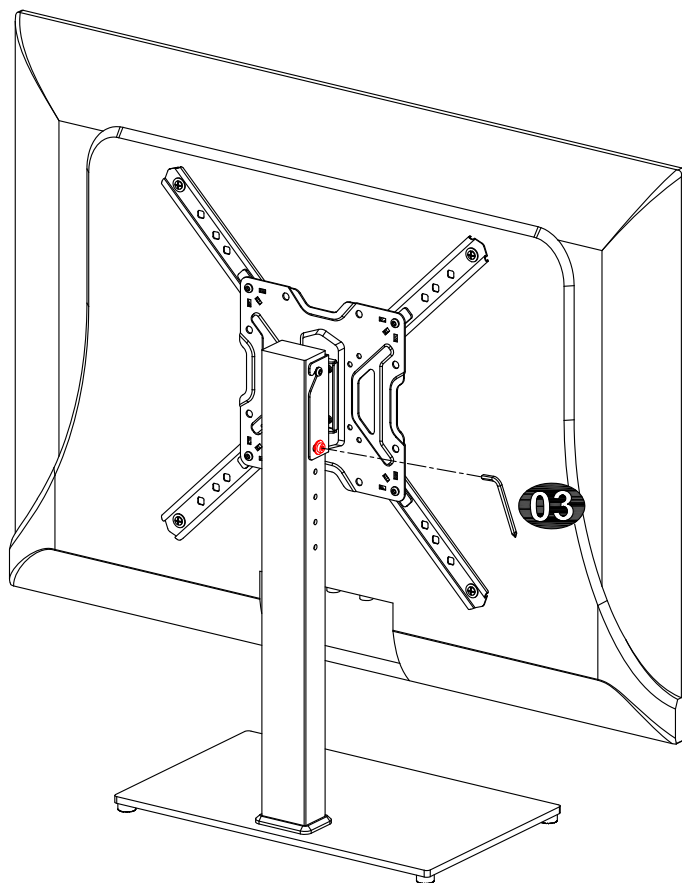
Pretighten the screws **09** as the TV height you desired, and hang your TV unit on the screws **09** by fastening the screws **10** and washers **11**.



STEP 4 Adjustments

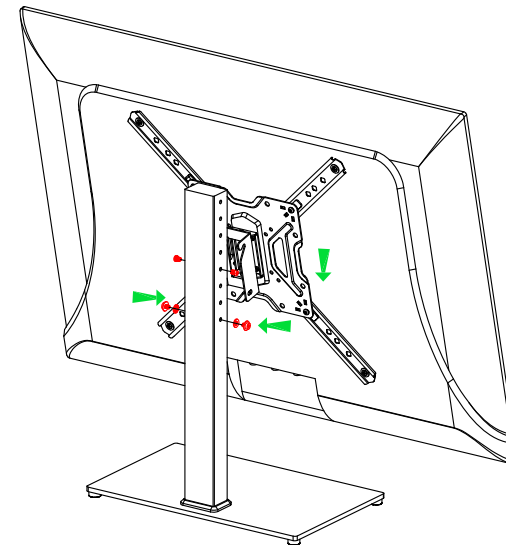
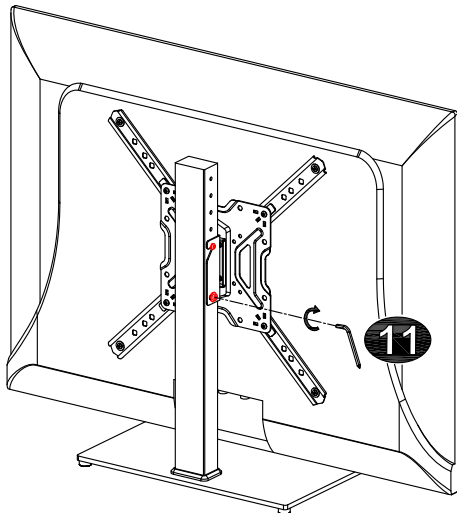
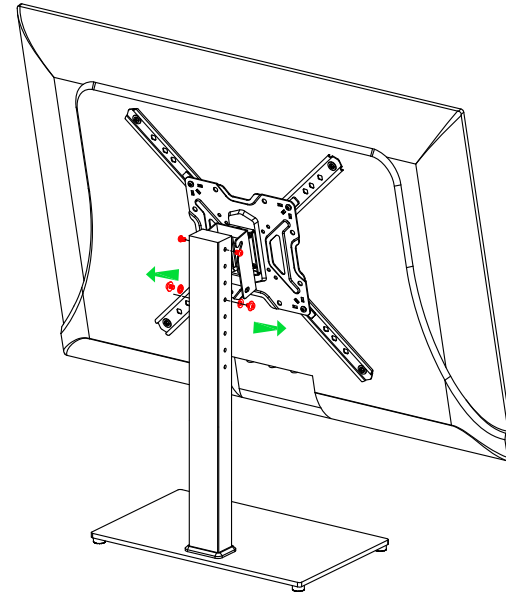
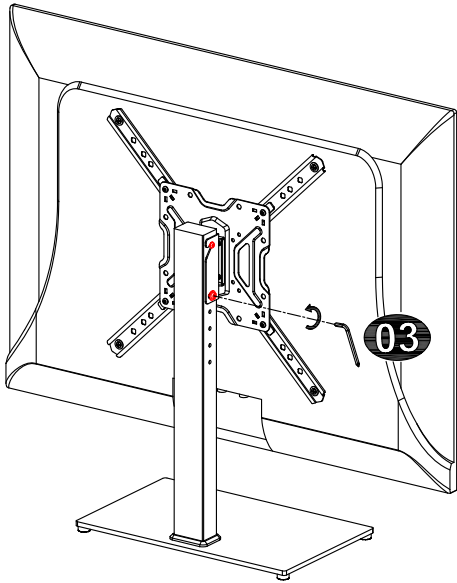
4-1 TV Tilting up adjustment (+3°):

If you need to tilt TV, you can loosen the bolts below and tilt up +3°
Then tighten the bolts.

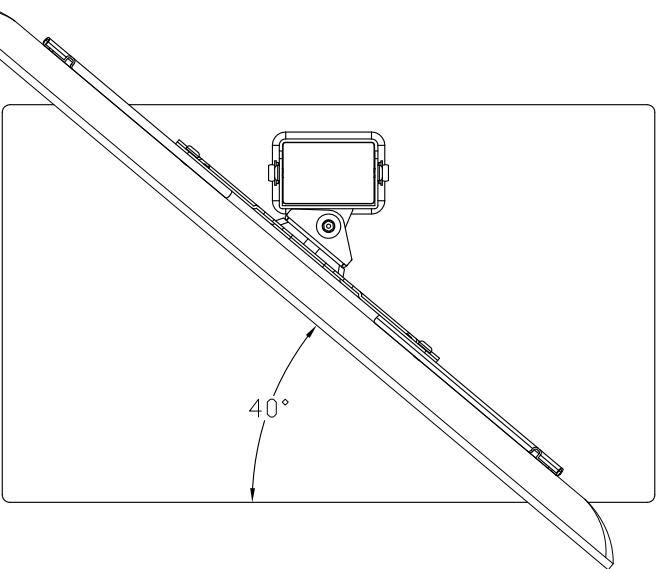
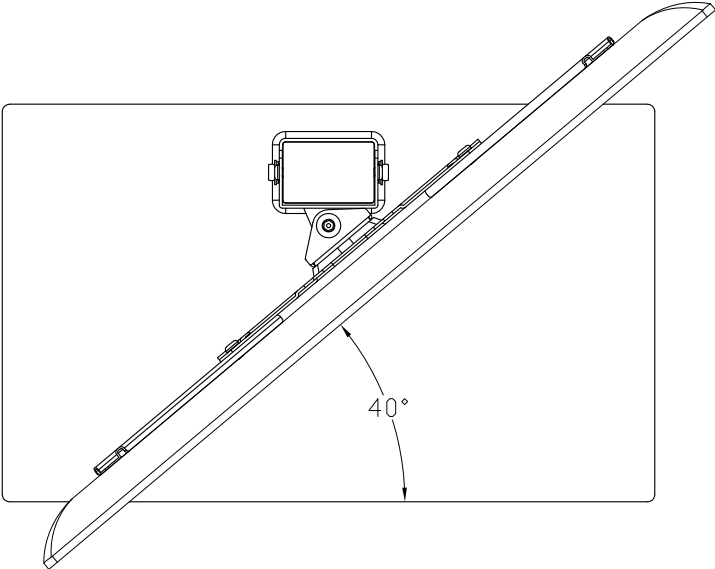
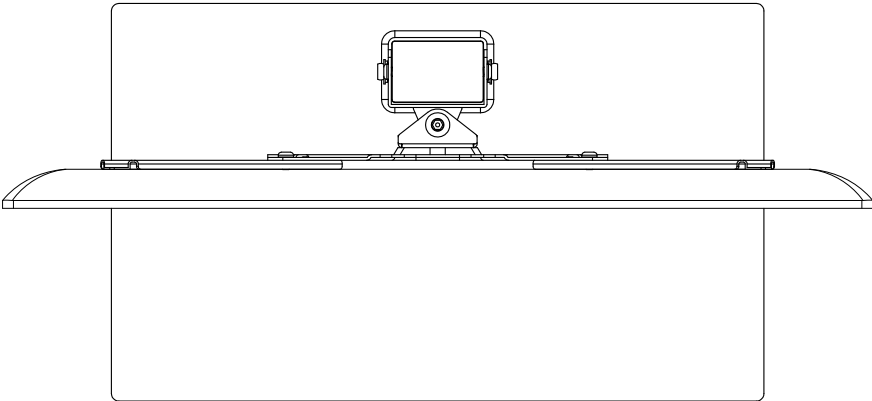


4-2 Height Adjustment

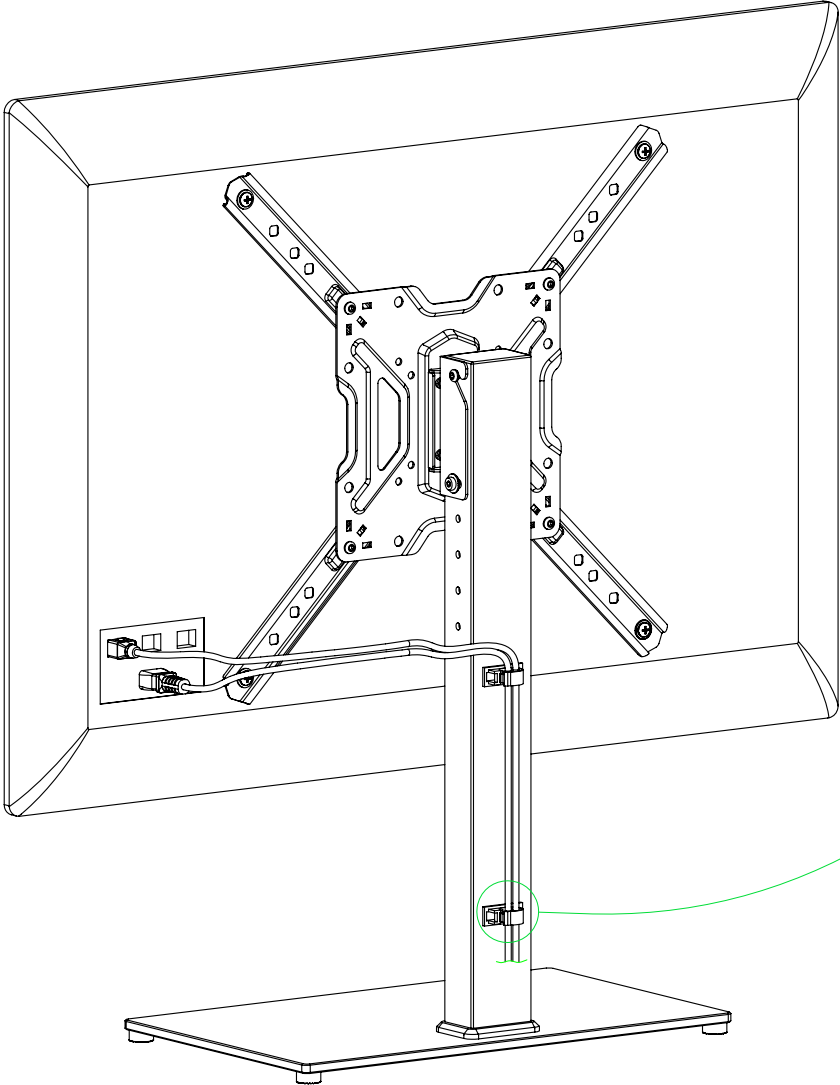
If the TV height is still not suitable, you can adjust the height by following the steps below.



4-3 Swivel Adjustment



4-4 Tidy the Cables



Press to Lock

