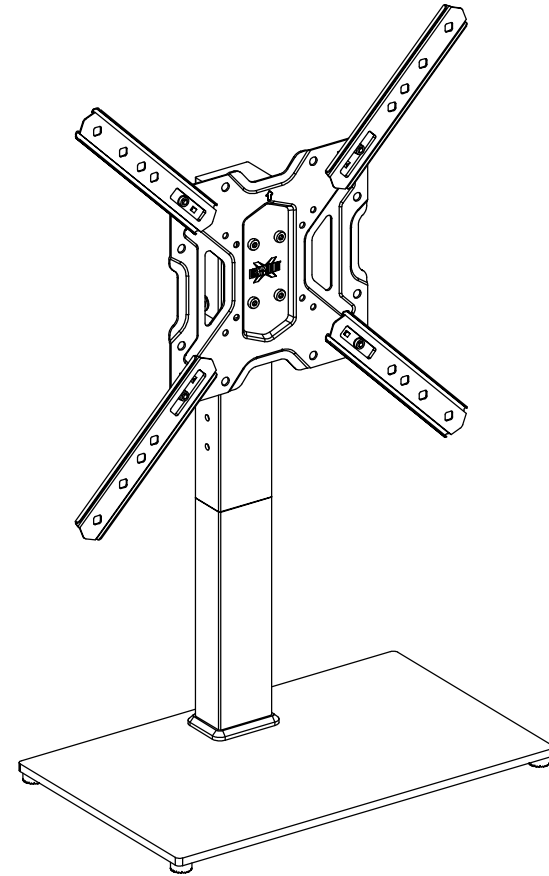


TM



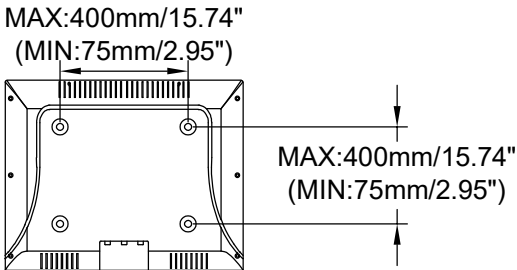

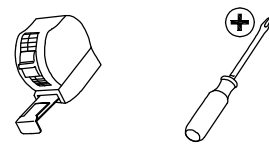
XAS301 INSTRUCTION MANUAL

For 26-55" TV

If you have any questions along the way, just give us a call
1-800-460-0956 or mail to customerservice@x-mount.com.

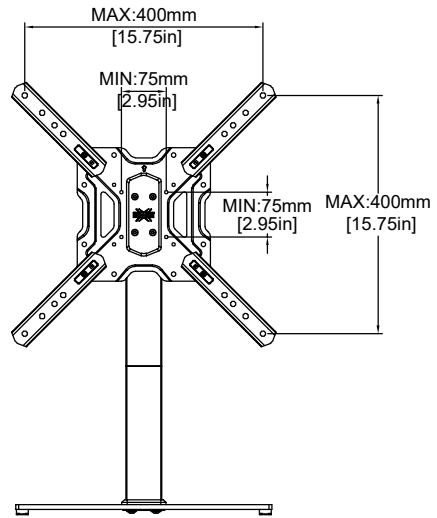
We're ready to help!

Before getting started, let's check below lists to make sure it is just right for you!

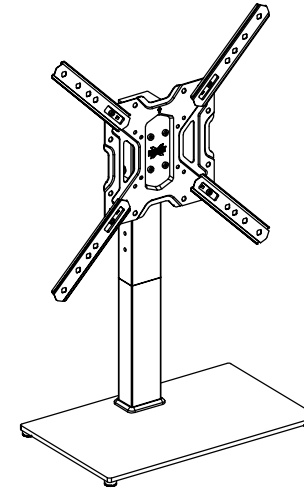
<p>Check your TV VESA is within Min and Max size</p>	<p>1</p>  <p>MAX:400mm/15.74" (MIN:75mm/2.95")</p> <p>MAX:400mm/15.74" (MIN:75mm/2.95")</p> <p>No? This mount is NOT compatible. Yes? Perfect !</p>
<p>Does your TV (including accessories) weigh MORE than 66 lbs. (30 kg)?</p>	<p>2</p>  <p>Max: 66LBS (30KG)</p> <p>No? Perfect – you may continue. Yes? This mount is NOT compatible.</p> <div style="border: 1px solid black; padding: 5px;"> <p>CAUTION: DO NOT exceed the maximum weight indicated. This mounting system is intended for use only with the maximum weights indicated. Use with products heavier than the maximum weights indicated may result in collapse of the mount and its accessories, causing possible injury.</p> </div>
<p>Do you have all the tools needed? (NOT INCLUDE)</p>	<p>3</p>  <p>Tape Measure Screw driver</p> <p>Please read this instruction carefully before installation. If you do not understand these instructions or have doubts about the safety of the installation, assembly or use of this product, please feel free to contact Customer Service:</p> <div style="border: 1px solid black; padding: 5px;"> <p>E-mail: customerservice@x-mount.com Phone call: 1-800-460-0956</p> </div>
<p>CAUTION</p>	<p>4</p> <ul style="list-style-type: none"> • Do not use this product for any purpose not explicitly specified by manufacturer • Manufacturer is not responsible for damage or injury caused by incorrect assembly or use

Dimensions

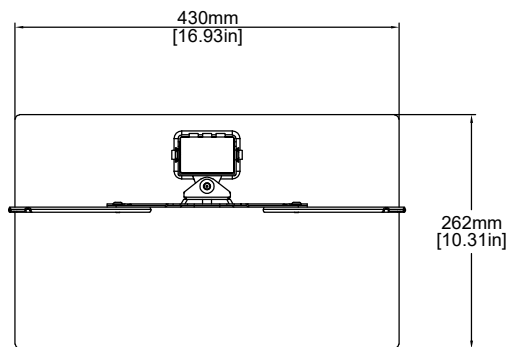
TV INTERFACE



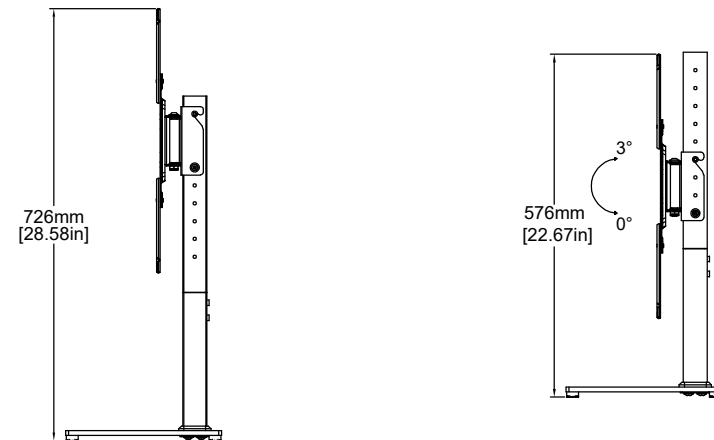
3D



TOP VIEW-RETRACTED



SIDE VIEW - RETRACTED



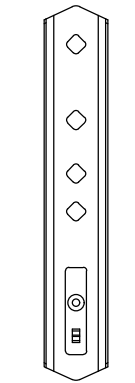
Parts and Hardware

⚠ WARNING: This product contains small items that could be a choking hazard if swallowed. Before starting assembly, verify all parts are included and undamaged. If any parts are missing or damaged, do not return the damaged item to your dealer; contact Customer Service.
Never use damaged parts!

📄 NOTE: Not all hardware included will be used.

Parts and Hardware for STEP 1

Extended arms



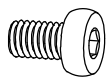
11 x4

Allen Key



12 x1

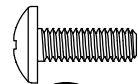
M6x8mm Bolt



13 x4

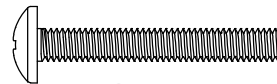
TV Screws

M4x12mm



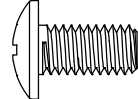
a x4

M4x30mm



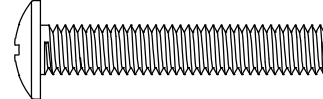
d x4

M6x12mm



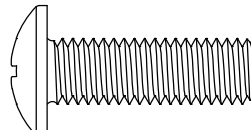
b x4

M6x35mm



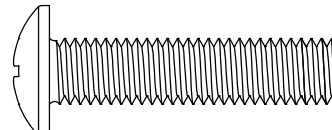
e x4

M8x25mm



c x4

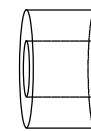
M8x35mm



f x4

Spacers

10mm



g x4

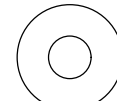
Washers

M4



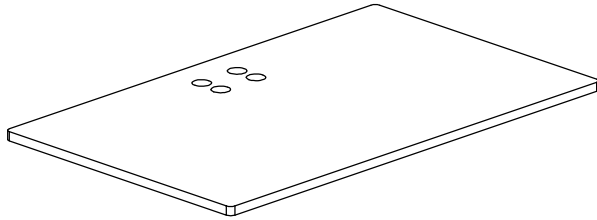
h x4

M6



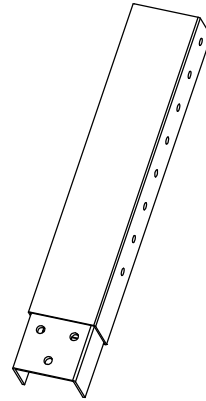
i x4

Parts and Hardware for STEP 2



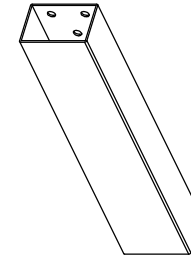
Glass Base

01 x1



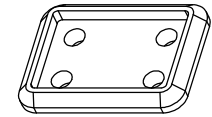
Upper Column

02 x1



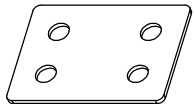
Lower Column

03 x1



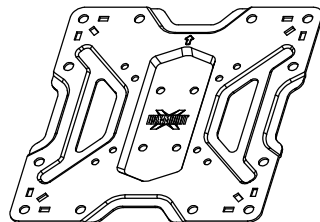
Plastic Sleeve

04 x1



Iron Sheet

05 x1



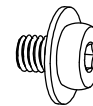
TV-Plate

06 x1



M6x10mm
Bolt

07 x5



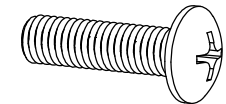
M6x10mm
Bolt

08 x2



Washer

09 x2

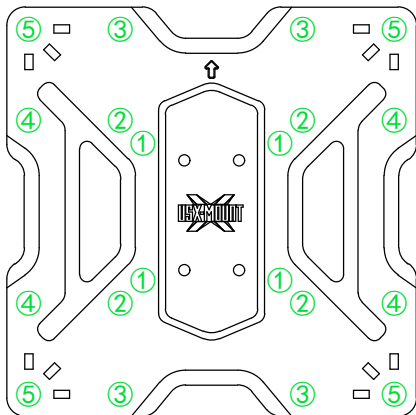


M8x30mm
Bolt

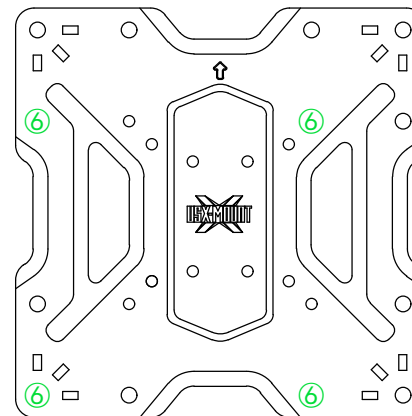
10 x4

STEP 1 Attach TV Plate to TV

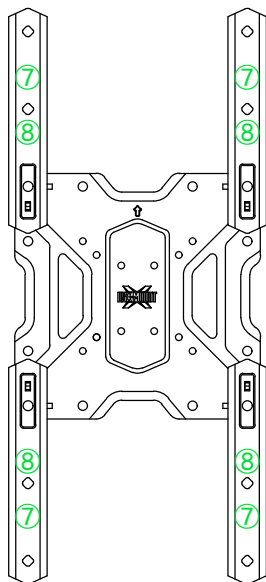
1-1 Choose Configuration



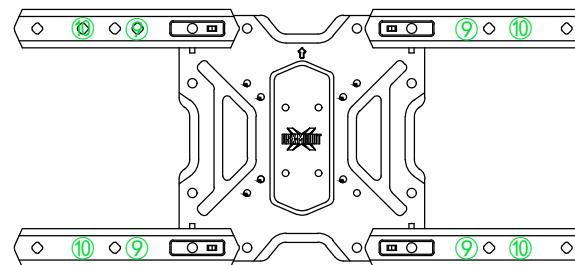
- ① 75X75
- ② 100X100
- ③ 100X200
- ④ 200X100
- ⑤ 200X200



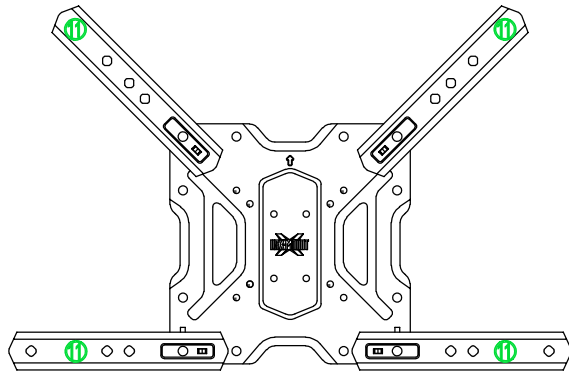
- ⑥ 150X150



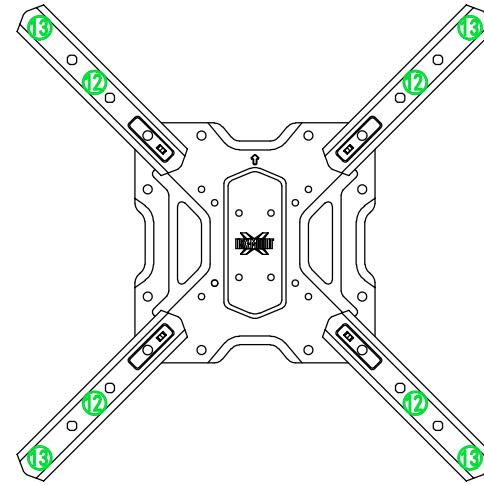
- ⑦ 200X400
- ⑧ 200X300



- ⑨ 300X200
- ⑩ 400X200

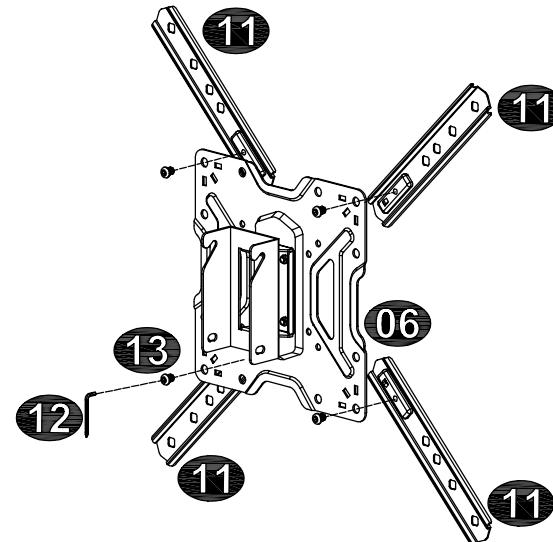
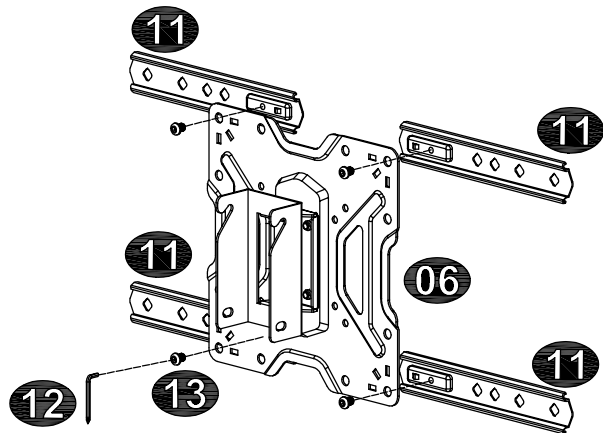


⑪ 400X300

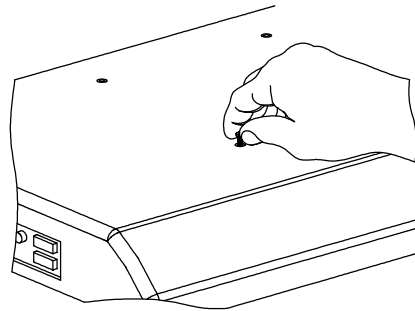


⑫ 300X300
⑬ 400X400

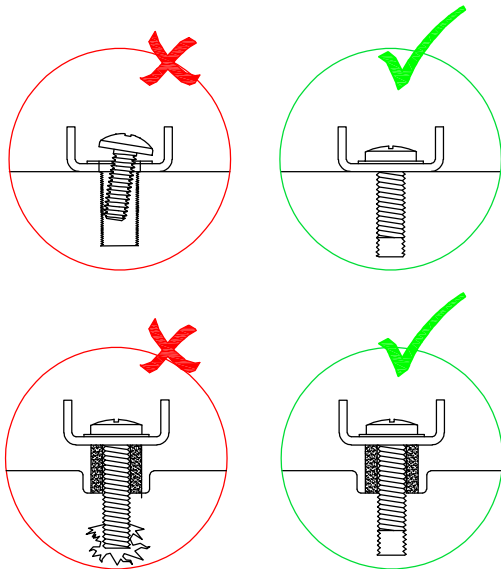
1-2 Extended arms assembly options



1-3 Select TV Screws

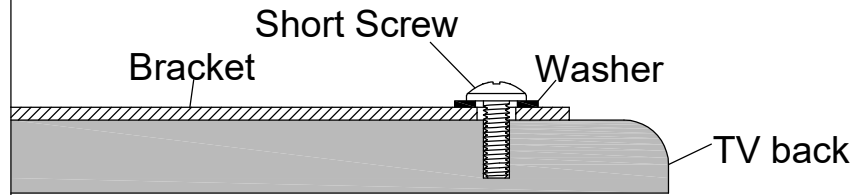


M4 M6 M8

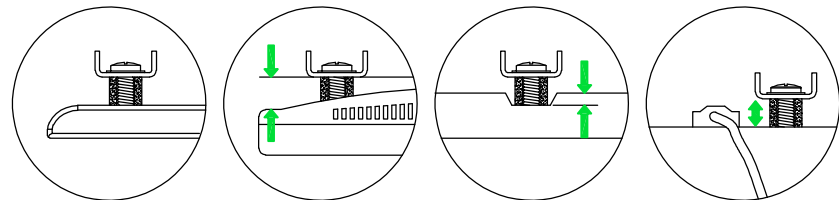
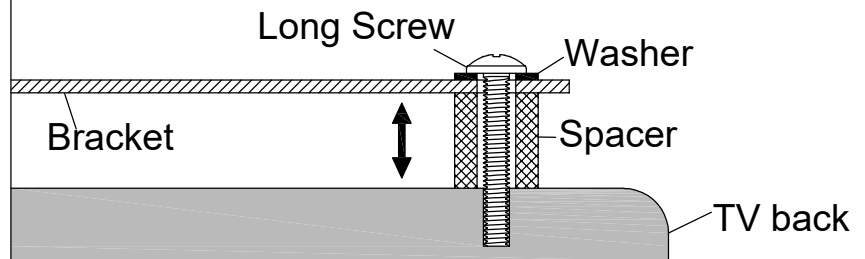



1-4 Need Spacer?

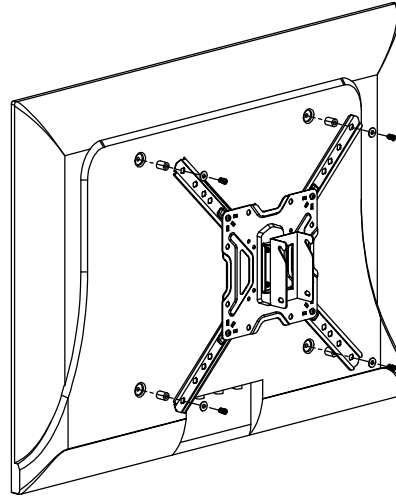
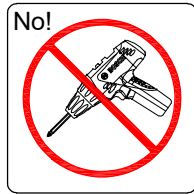
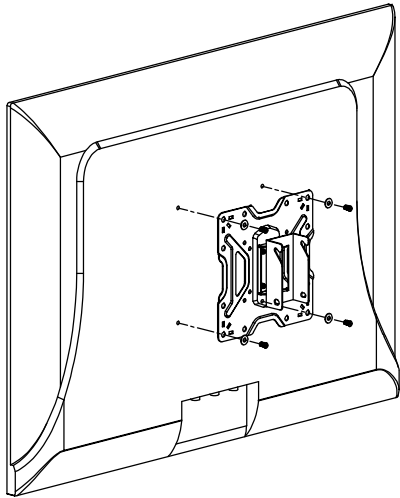
I No, go to PAGE 9 **I** for detailed combination.



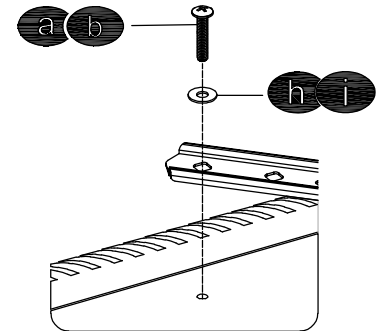
II Yes, go to PAGE 9 **II** for detailed combination.



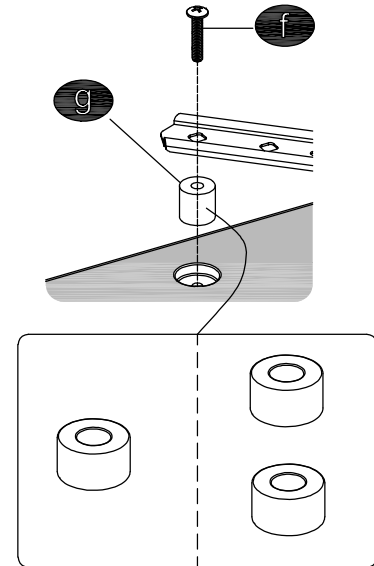
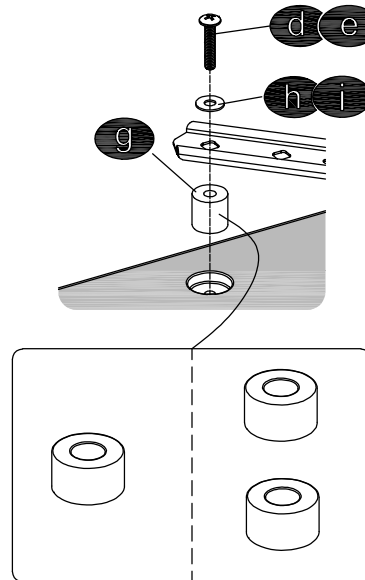
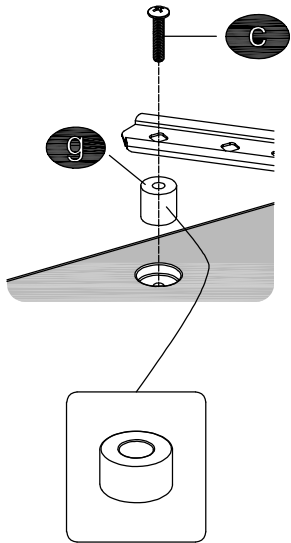
1-5 Attach the TV Plate



I Screw(s) and washer(s)

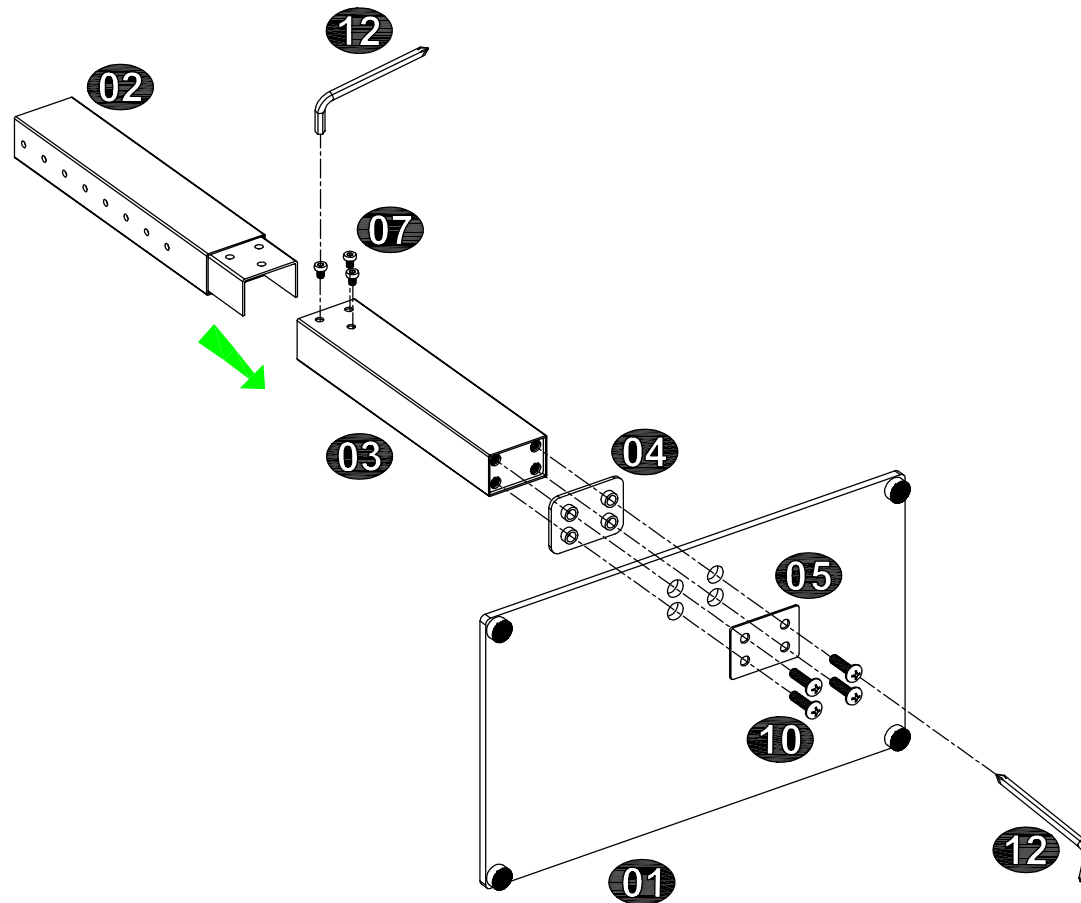


II Spacer(s), screw(s) and washer(s)



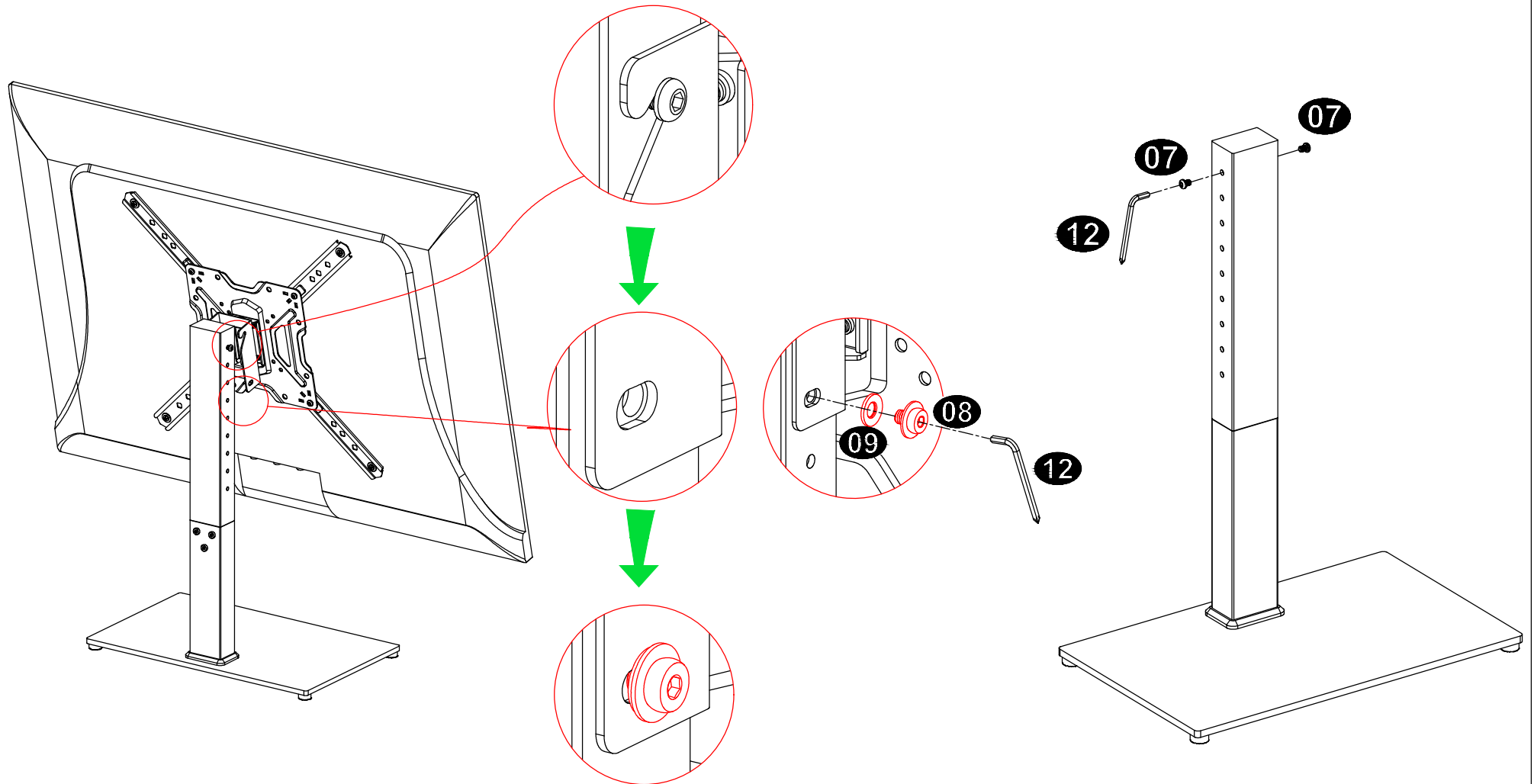
STEP 2 Column Installation

Assemble the columns (02 and 03) with Bolt 07. Install it on the glass base 01 through iron sheet 05 and plastic sleeve 04 with screw 10.



STEP 3 Huang and Secure TV to Column

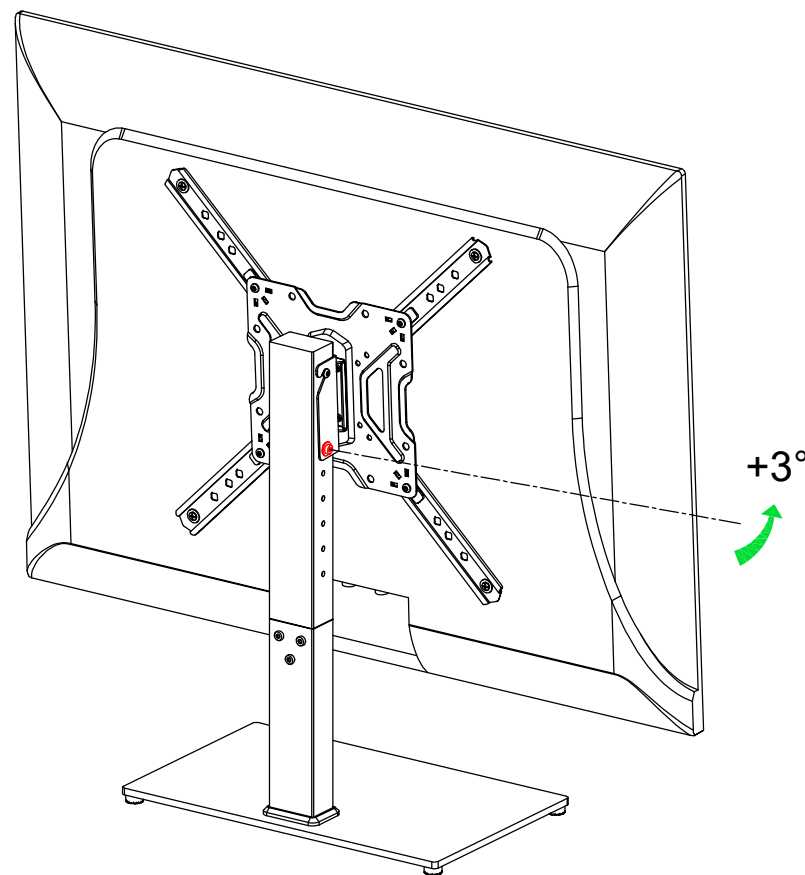
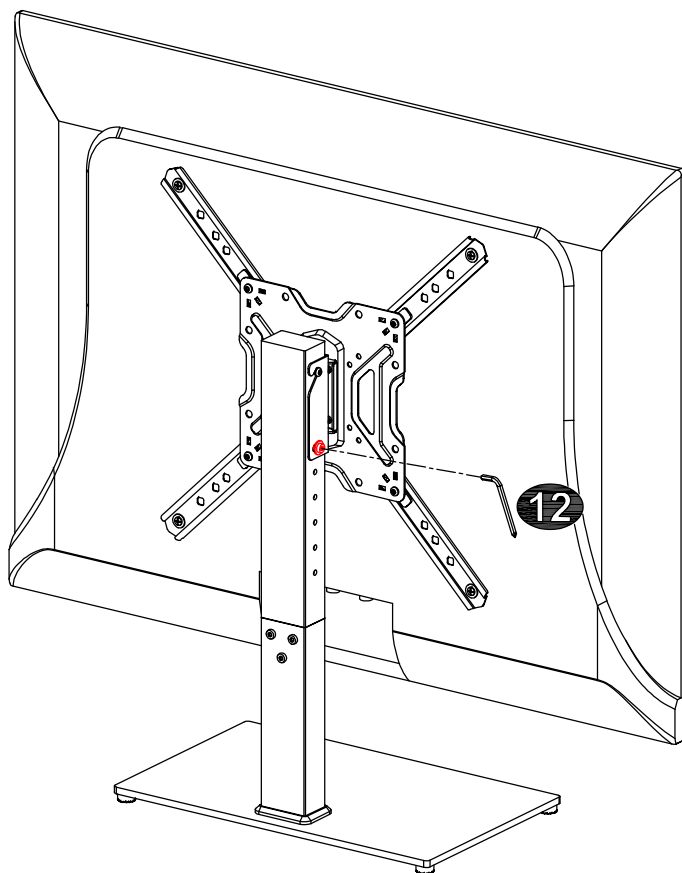
As the TV height you desired screw bolt **07** into right holes.



STEP 4 Adjustments

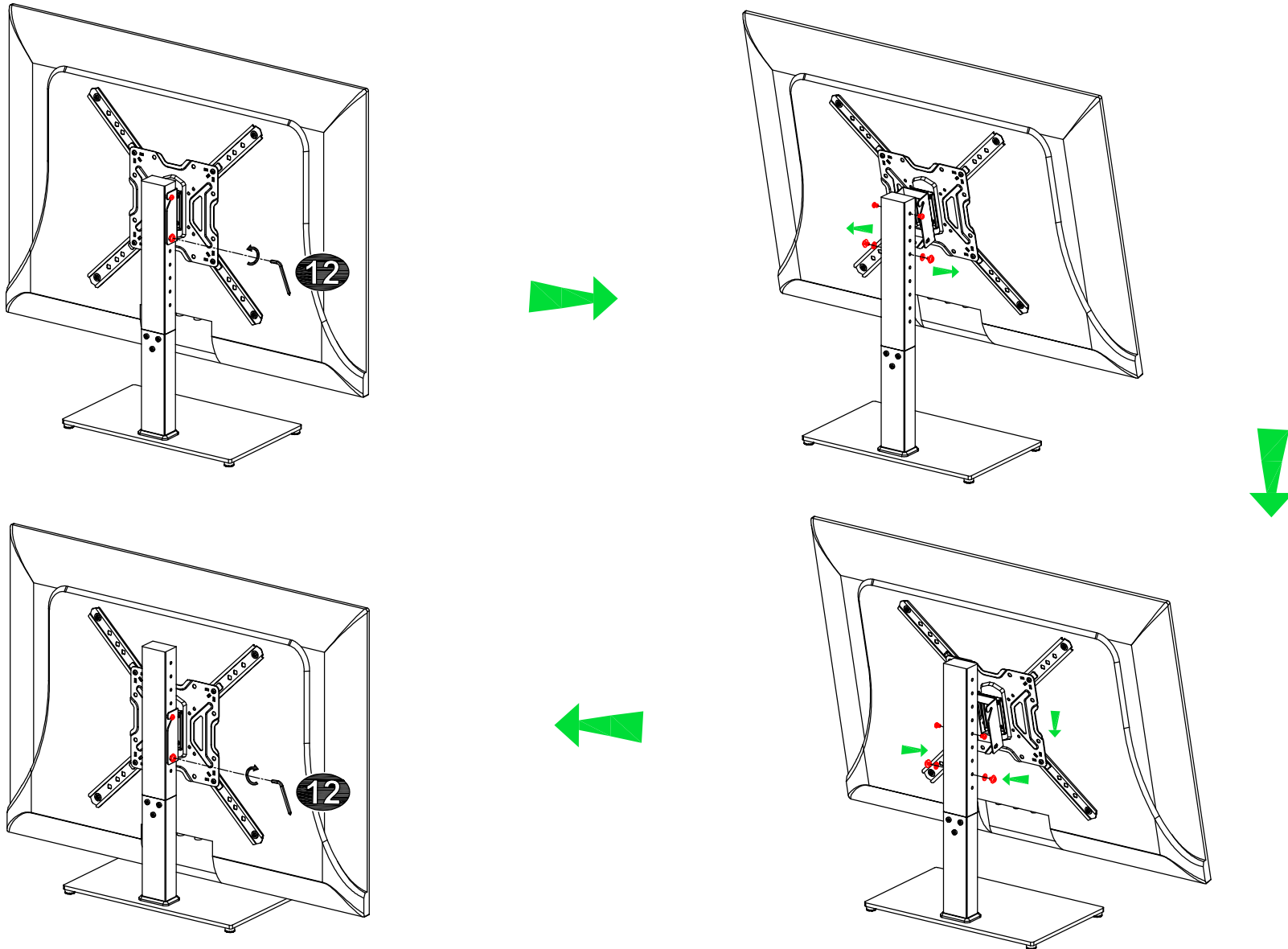
4-1 TV Tilting adjustment (+3°):

If you need tilt TV, you can loosen the bolts below and tilt up +3°
Then tighten the bolts.



4-2 Height Adjustment

If the TV height is not suitable, you can adjust the height by following the steps below.



4-3 Swivel Adjustment

